



CE

Model Number

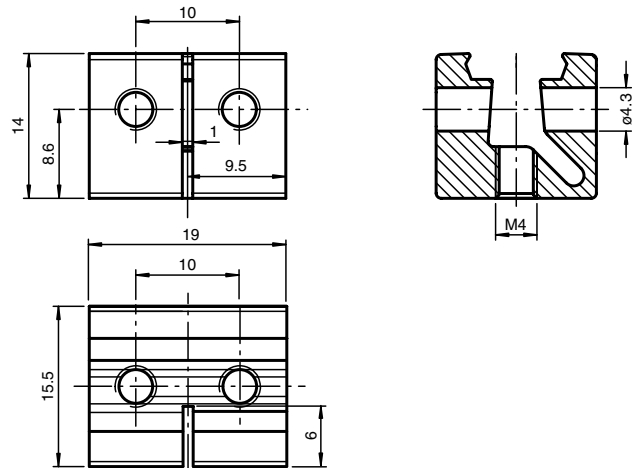
OMH-K03

dove tail mounting clamp

Features

- Mounting clamp
- Simple and fast mounting

Dimensions



Technical data

Mechanical specifications

Material	anodized aluminum
Mass	approx. 6 g

Suitable series

Series	MLV12
--------	-------