

CE

Model Number

TopScan-S Profile L1400

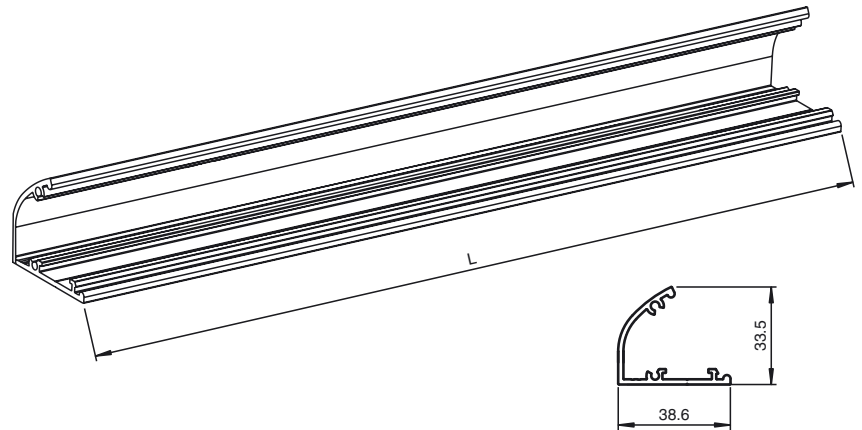
Housing profile TopScan-S

Features

- Aluminum profile for TopScan-S Series
- Länge 1400 mm

for TopScan-S device version with 1400 mm profile-section length

Dimensions



Technical data

Ambient conditions

Ambient temperature -10 ... 50 °C (14 ... 122 °F)

Mechanical specifications

Material aluminum

Suitable series

Series TopScan-S