



Key-operated actuator, 2 positions, momentary

Part no. Q18S1
Catalog No. 038806
Alternate Catalog No. Q18S1

Delivery program

| | | | |
|--------------------------------------|---|----|---|
| Product range | | | RMQ16 |
| Basic function | | | Key-operated buttons |
| Mounting hole diameter | ∅ | mm | 16 |
| Single unit/Complete unit | | | Single unit |
| Design | | | Key operated momentary |
| Function: | | | |
| | | | 45° |
| | | | 2 positions |
| Key withdrawable in position | | | |
| | | | 0 |
| Degree of Protection | | | IP65 |
| Front ring | | | without bezel |
| Connection to SmartWire-DT | | | no |
| Information about equipment supplied | | | With 1 key |
| Ordering information | | | For each color there is a corresponding key, → accessories, |

Notes

Additional individual lock mechanisms (each colour corresponds with a separate lock mechanism)

Technical data

General

| | | | |
|------------------------------------|--------------|-------------------|--|
| Standards | | | IEC/EN 60947 |
| Lifespan, mechanical | Operations | x 10 ⁶ | > 3 |
| Operating frequency | Operations/h | | ≤ 1800 |
| Operating torque | | Nm | ≤ 0.4 |
| Degree of protection, IEC/EN 60529 | | | IP65 |
| Climatic proofing | | | Damp heat, constant, to IEC 60068-2-78 Damp heat, cyclic, to IEC 60068-2-30 |
| Ambient temperature | | | |
| Open | | °C | -25 - +60 |
| Enclosed | | °C | - 25 - 40 |
| Mounting position | | | As required |
| Mechanical shock resistance | | g | > 40 according to IEC 60068-2-27 Shock duration 11 ms Sinusoidal |
| Terminal capacities | | mm ² | 0.5 - 1.0 |
| Blade terminal | | | 2.8 x 0.8 mm to DIN 46244 |
| Fast-on connectors | | | 2.8 x 0.8 mm to DIN 46247 and IEC 60760 |

Contacts

| | | | |
|---------------------------------------|------------------|-------------------|--|
| Rated impulse withstand voltage | U _{imp} | V AC | 800 |
| Rated insulation voltage | U _i | V | 250 |
| Overvoltage category/pollution degree | | | III/3 |
| Rated operational voltage | U _e | V AC | 24 |
| Control circuit reliability | | | |
| at 24 V DC/5 mA | H _F | Fault probability | < 10 ⁻⁷ , < 1 failure in 10 ⁷ operations |

| | | | |
|----------------------------------|----------------|-------------------|---|
| at 5 V DC/1 mA | H _F | Fault probability | < 5 x 10 ⁻⁶ , < 1 failure in 5 x 10 ⁶ operations |
| Use of insulated ferrule ISH 2,8 | | | On >24 V AC/DC recommended On >50 V AC or 120 V DC mandatory, also on unoccupied blade terminals |

Design verification as per IEC/EN 61439

| Technical data for design verification | | | |
|--|-------------------|----|--|
| Rated operational current for specified heat dissipation | I _n | A | 0 |
| Heat dissipation per pole, current-dependent | P _{vid} | W | 0 |
| Equipment heat dissipation, current-dependent | P _{vid} | W | 0 |
| Static heat dissipation, non-current-dependent | P _{vs} | W | 0 |
| Heat dissipation capacity | P _{diss} | W | 0 |
| Operating ambient temperature min. | | °C | -25 |
| Operating ambient temperature max. | | °C | 60 |
| IEC/EN 61439 design verification | | | |
| 10.2 Strength of materials and parts | | | |
| 10.2.2 Corrosion resistance | | | |
| | | | Meets the product standard's requirements. |
| 10.2.3.1 Verification of thermal stability of enclosures | | | |
| | | | Meets the product standard's requirements. |
| 10.2.3.2 Verification of resistance of insulating materials to normal heat | | | |
| | | | Meets the product standard's requirements. |
| 10.2.3.3 Verification of resistance of insulating materials to abnormal heat and fire due to internal electric effects | | | |
| | | | Meets the product standard's requirements. |
| 10.2.4 Resistance to ultra-violet (UV) radiation | | | |
| | | | Please enquire |
| 10.2.5 Lifting | | | |
| | | | Does not apply, since the entire switchgear needs to be evaluated. |
| 10.2.6 Mechanical impact | | | |
| | | | Does not apply, since the entire switchgear needs to be evaluated. |
| 10.2.7 Inscriptions | | | |
| | | | Meets the product standard's requirements. |
| 10.3 Degree of protection of ASSEMBLIES | | | |
| | | | Does not apply, since the entire switchgear needs to be evaluated. |
| 10.4 Clearances and creepage distances | | | |
| | | | Meets the product standard's requirements. |
| 10.5 Protection against electric shock | | | |
| | | | Does not apply, since the entire switchgear needs to be evaluated. |
| 10.6 Incorporation of switching devices and components | | | |
| | | | Does not apply, since the entire switchgear needs to be evaluated. |
| 10.7 Internal electrical circuits and connections | | | |
| | | | Is the panel builder's responsibility. |
| 10.8 Connections for external conductors | | | |
| | | | Is the panel builder's responsibility. |
| 10.9 Insulation properties | | | |
| 10.9.2 Power-frequency electric strength | | | |
| | | | Is the panel builder's responsibility. |
| 10.9.3 Impulse withstand voltage | | | |
| | | | Is the panel builder's responsibility. |
| 10.9.4 Testing of enclosures made of insulating material | | | |
| | | | Is the panel builder's responsibility. |
| 10.10 Temperature rise | | | |
| | | | Not applicable. |
| 10.11 Short-circuit rating | | | |
| | | | Is the panel builder's responsibility. The specifications for the switchgear must be observed. |
| 10.12 Electromagnetic compatibility | | | |
| | | | Is the panel builder's responsibility. The specifications for the switchgear must be observed. |
| 10.13 Mechanical function | | | |
| | | | The device meets the requirements, provided the information in the instruction leaflet (IL) is observed. |

Technical data ETIM 7.0

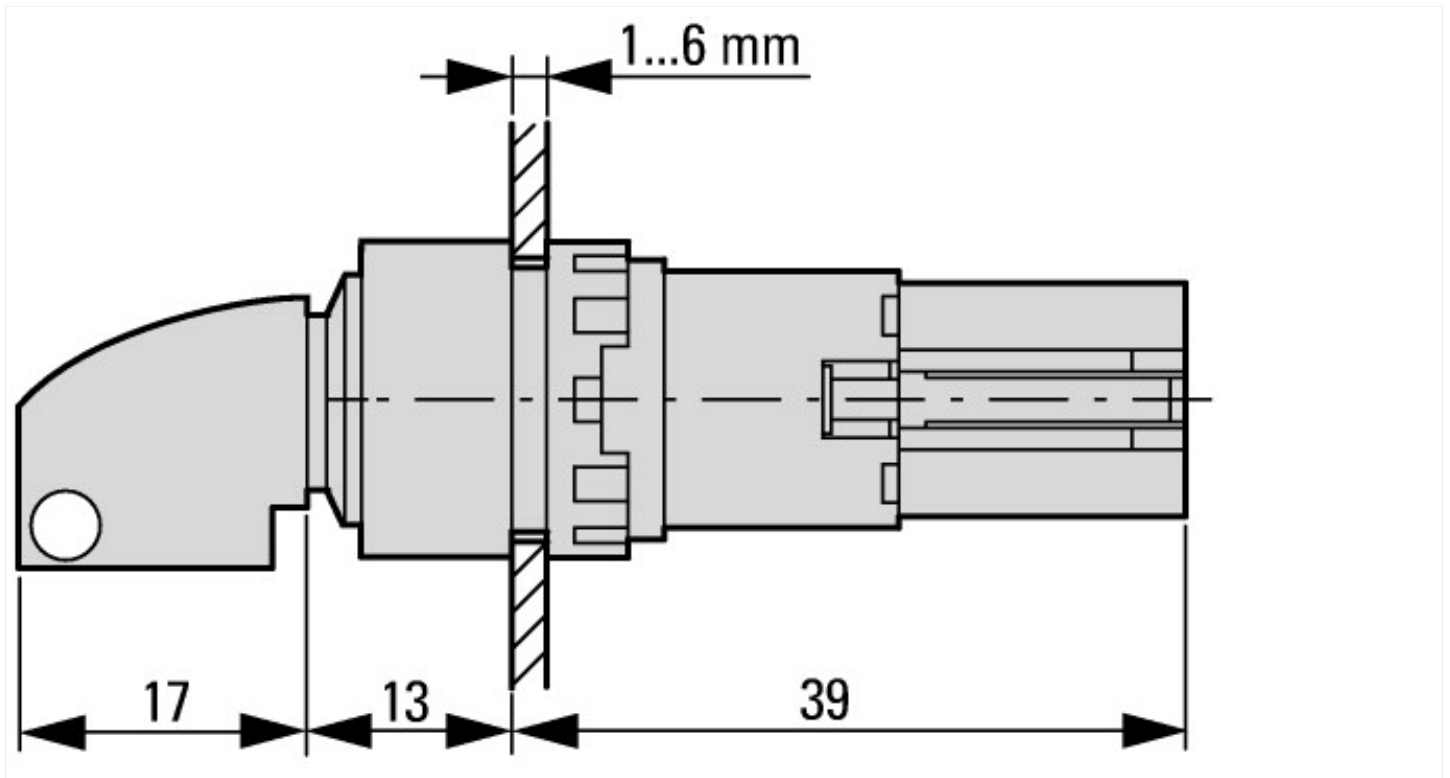
| Low-voltage industrial components (EG000017) / Front element for selector switch (EC000222) | | | |
|---|--|----|--------|
| Electric engineering, automation, process control engineering / Low-voltage switch technology / Command and alarm device / Front element for selector switches (ec!@ss10.0.1-27-37-12-13 [AKF031014]) | | | |
| Number of switch positions | | | 2 |
| Type of control element | | | Key |
| Suitable for illumination | | | No |
| Colour control element | | | Black |
| Colour indicator light cap | | | Other |
| Construction type lens | | | Square |
| Hole diameter | | mm | 16 |
| Width opening | | mm | 0 |
| Height opening | | mm | 0 |
| Switching function latching | | | No |
| Spring-return | | | Yes |

| | | |
|---------------------------------------|--|---------|
| With front ring | | Yes |
| Material front ring | | Plastic |
| Colour front ring | | Black |
| Degree of protection (IP), front side | | IP65 |
| Degree of protection (NEMA) | | 1 |

Approvals

| | | |
|-----------------------------|--|---|
| Product Standards | | IEC/EN 60947-5; UL 508; CSA-C22.2 No. 14-05; CE marking |
| UL File No. | | E29184 |
| UL Category Control No. | | NKCR |
| CSA File No. | | 46552 |
| CSA Class No. | | 3211-03 |
| North America Certification | | UL listed, CSA certified |
| Degree of Protection | | UL/CSA Type 1 |

Dimensions



Actuating and indicator elements
Square style