



Flat cable incoming, outgoing, 7p

Part no. RA-C1-AM-7
 Catalog No. 290214
 Alternate Catalog No. RA-C1-AM-7

Delivery program

Product range			Power supply at flat cable RA-C1
Subrange			Distributor module
Basic function			for feeding the 400-V-AC/24-V-DC of the ribbon cable with a round cable
Description			Termination with piercing screws, 2 x V-M25 and 2 x V-M20 knockout plates, connection module with spring-loaded terminals, connection of round cables up to 4 mm ² .
Information about equipment supplied			Order cable gland V-M25 or V-M20 separately.
For use with			
For use with			RA-C1-7X4HF

Technical data

General

Standards			EN 60998-2-2
Degree of Protection			IP65 IEC/EN 60529
Ambient temperature			
Operation	θ	°C	-30 - +50
Storage	θ	°C	-40 - +70
Mounting position			As required
Outer dimensions L x W x H		mm	160 x 60 x 60
Termination			Springloaded terminals 1.5 to 4 mm ²

Main circuit

Rated operational voltage	U _e		500 V AC
Rated operational current	I _e	A	20
Line protection		Type	PKE32/XTU-32 PKZM0-25 FAZ-C25/3

Control circuit

Rated operational voltage	U _e	V	24 V DC
Rated operational current	I _e	A	20

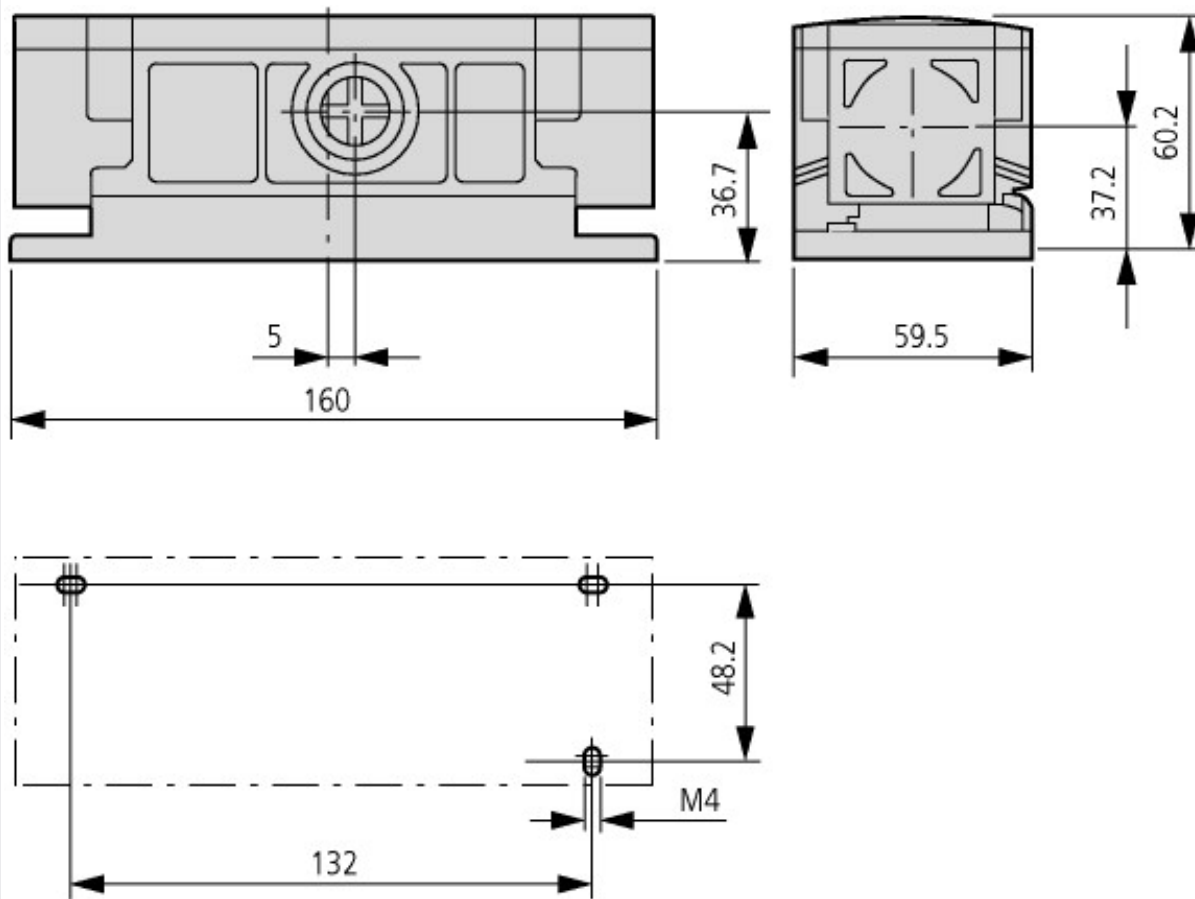
Design verification as per IEC/EN 61439

Technical data for design verification			
Operating ambient temperature min.		°C	-30
Operating ambient temperature max.		°C	50

Technical data ETIM 7.0

Low-voltage industrial components (EG000017) / Accessories for low-voltage switch technology (EC002498)			
Electric engineering, automation, process control engineering / Low-voltage switch technology / Component for low-voltage switching technology / Component for low-voltage switch technology (accessories) (ec1@ss10.0.1-27-37-13-92 [AKN570013])			
Type of accessory			Connection technique

Dimensions



Distributor module

RA-C1-AM-7