



Cable operation

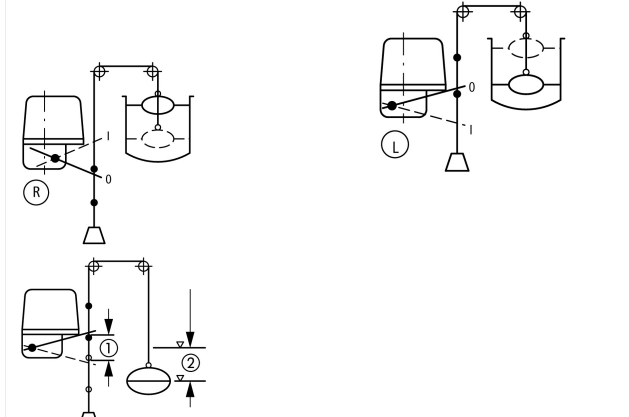
Part no. SBO-SW
Catalog No. 045869
Alternate Catalog No. SBO-SW
EL-Nummer (Norway) 4356152

Delivery program

Product range		Accessories
Basic function		Cable operation kit
		Equipment supplied: 1 cable eye bolt 2 Guide pulley 4 cable clamps, incl. screws 10 m steel cable (plastic-sheathed) 1 Counterweight

Notes
 The function is defined by moving the pivot point or flipping the lever arm at the installation location:

Pump full: Pivot point on right
Pump dry: Pivot point on left (state of delivery)



① Stroke
 ② Level difference
 The actuation force is produced by the float weight and the counterweight and is transmitted to the switching lever via the cable clamps attached to the wire rope.

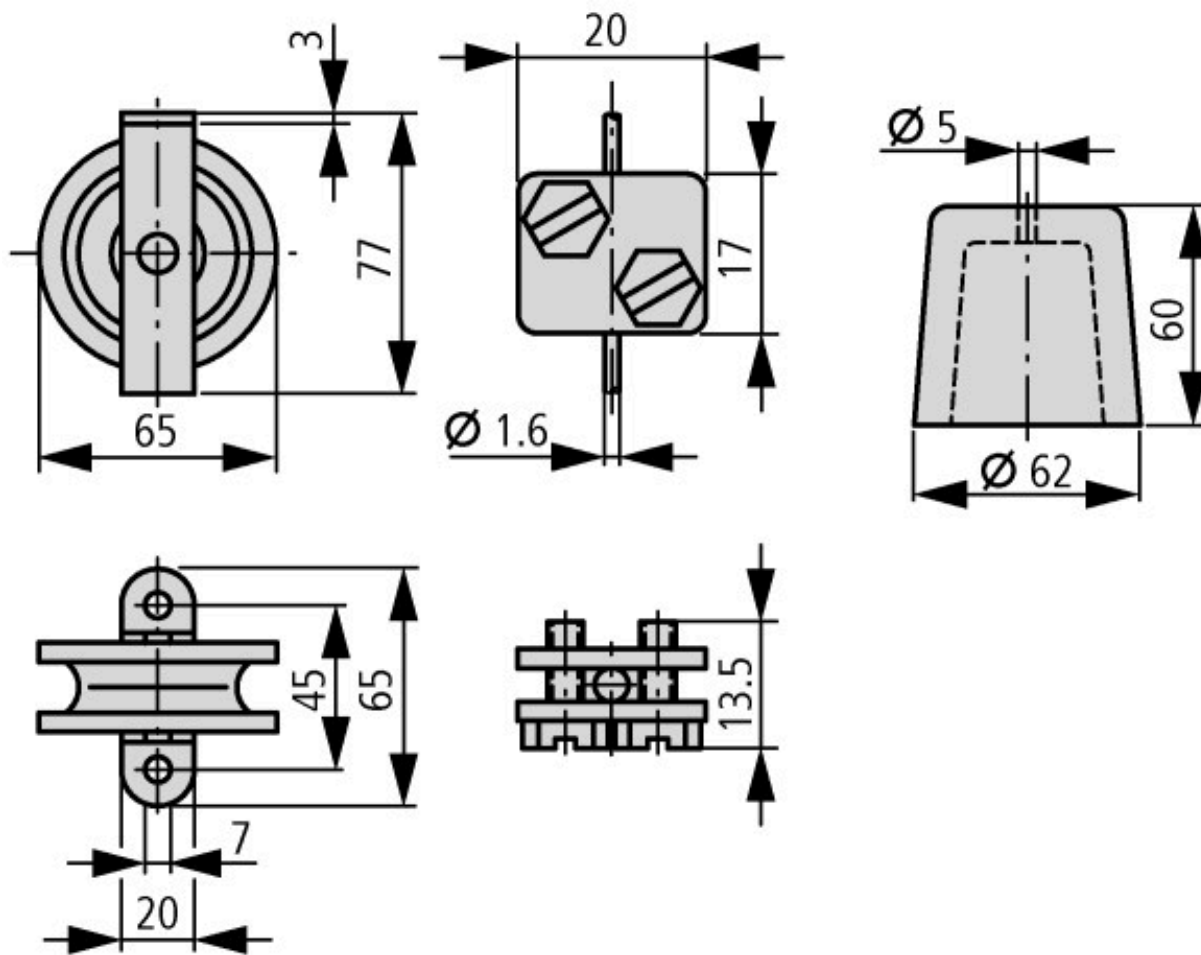
Design verification as per IEC/EN 61439

Technical data for design verification		
Operating ambient temperature min.	°C	-25
Operating ambient temperature max.	°C	70

Technical data ETIM 7.0

Low-voltage industrial components (EG000017) / Accessories for control circuit devices (EC002024)		
Type of electrical accessory		Other
Type of mechanical accessory		Other

Dimensions



Cable operation:
Left: guide pulley
Centre: cable clamp
Right: 0.9 kg counterweight