

3 in 1 –
microwave with grill
and convection
function

**Stainless steel front and
interior**

25 litre capacity

900 watt microwave

1300 watt grill

**2300 watt convection
function**

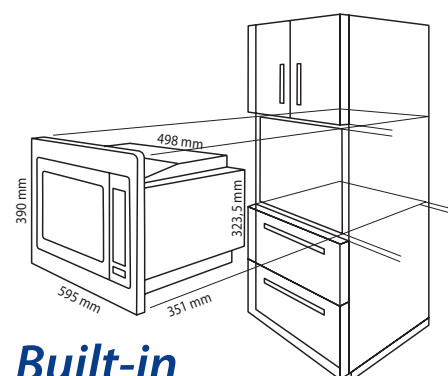


Without decoration



NEW! Built-in microwave with grill and convection
MWG 3001 H EB

- Built-in microwave in frameless design
- Stainless steel front, stainless steel interior
- LCD display
- Digital clock
- 900 watt microwave
- 1300 watt grill
- 2300 watt convection function
- 5 microwave power level
- 2 level in combined operation (grill/microwave)
- 2 level in combined operation (convection/microwave)
- 1 grill level
- 5 temperature settings for convection (100°C–200°C)
- 8 automatic programs
- Defrost program
- Timer function with up to 24 h time delay
- 25 litre capacity
- Rotating plate, Ø approx. 27.0 cm, grilling grid, Ø approx. 22.2 cm
- 60 minute timer with end signal
- Child lock
- Oven light
- 230 V, 50 Hz, 2300 W



Color: Stainless steel
Article no.: 630 011
Article EAN-Code: 4 004 470 300 116
Exportpack EAN-Code: 4 004 470 084 108
PU: 1 piece
20"/40"/HQ Container: 205 / 420 / 480

Dimensions (approx. W x H x D) and weight
Unit: 595 x 390 x 351 mm; 15,2 kg
Box: 666 x 460 x 410 mm

Delivery: end of april 2019

C. Bomann GmbH
Heinrich-Horten-Straße 17
47906 Kempen
Tel.: +49 (0) 21 52 / 89 98 0
Fax: +49 (0) 21 52 / 89 98 911
mail@bomann.de
www.bomann-germany.com