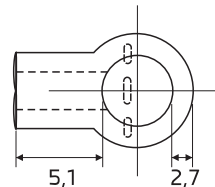
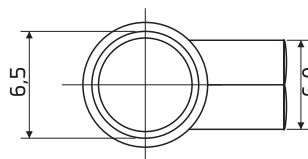
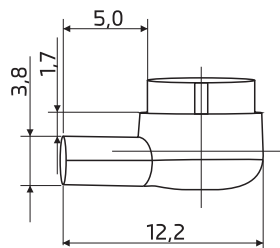
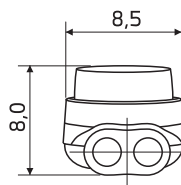
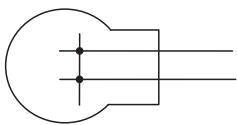


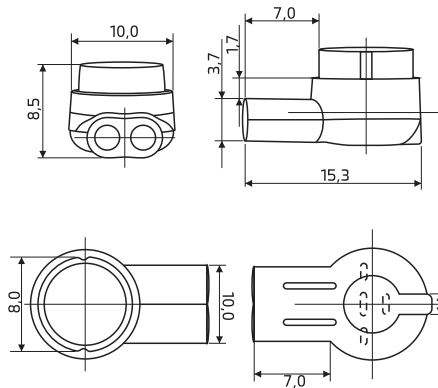
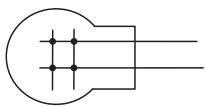
25pcs Wire Connector with grease filling - Assortment Set

Item No. 1905C140



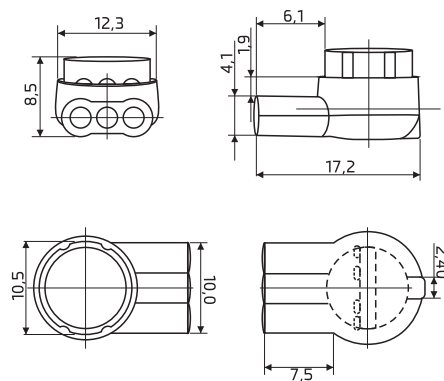
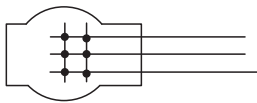
Specification

Insulation material: PC
Contact material: Tinned Brass
Color: Yellow cap / Transparent base
Wire range: AWG 26 -21 (0.4-0.9mm²)
Wire outer diameter: 1,52 mm (max.)
Conductor diameter: 0,4 ~ 0,7 mm
Voltage rating: 50V/AC, 75V/DC max.
Current rating: 3A max
Working temperature: 0-90°C
Working humidity: 95% RH
Qty.: 5pcs



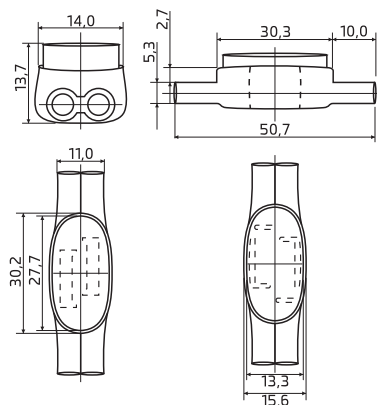
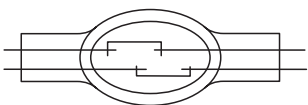
Specification

Insulation material: PP
 Contact material: Tinned Brass
 Color: Orange cap / Transparent base
 Wire range: AWG 26 -19 (0.4-0.9mm²)
 Wire outer diameter: 2,08 mm (max.)
 Conductor diameter: 0,4 ~ 0,9 mm
 Voltage rating: 50V/AC, 75V/DC max.
 Current rating: 3A max.
 Working temperature: 0-65°C
 Working humidity: 95% RH
 Qty.: 5 pcs



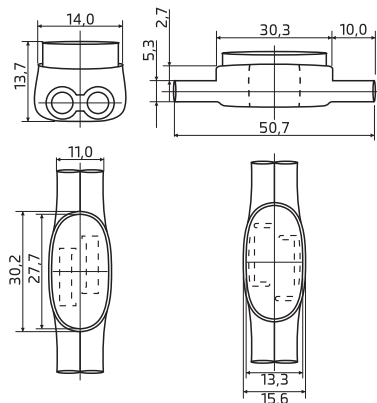
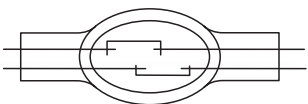
Specification

Insulation material: PP
 Contact material: Tinned Brass
 Color: Red cap / Transparent base
 Wire range: AWG 26 -19 (0.4-0.9mm²)
 Wire outer diameter: 2,08 mm (max.)
 Conductor diameter: 0,4 ~ 0,9 mm
 Voltage rating: 50V/AC, 75V/DC max.
 Current rating: 3A max.
 Working temperature: 0-65°C
 Working humidity: 95% RH
 Qty.: 5 pcs



Specification

Insulation material: PC
 Contact material: Tinned Brass
 Color: Green cap / Transparent base
 Wire range: AWG 19 -16 (0.4-0.9mm²)
 Wire outer diameter: 3,18 mm (max.)
 Conductor diameter: 0,9 ~ 1,3 mm
 Voltage rating: 50V/AC, 75V/DC max.
 Current rating: 3A max.
 Working temperature: 0-90°C
 Working humidity: 95% RH
 Qty.: 5 pcs



Specification

Insulation material: PC
 Contact material: Tinned Brass
 Color: Red cap / Transparent base
 Wire range: AWG 24 -19 (0.4-0.9mm²)
 Wire outer diameter: 3,18 mm (max.)
 Conductor diameter: 0,5 ~ 0,9 mm
 Voltage rating: 50V/AC, 75V/DC max.
 Current rating: 3A max.
 Working temperature: 0-90°C
 Working humidity: 95% RH
 Qty.: 5 pcs