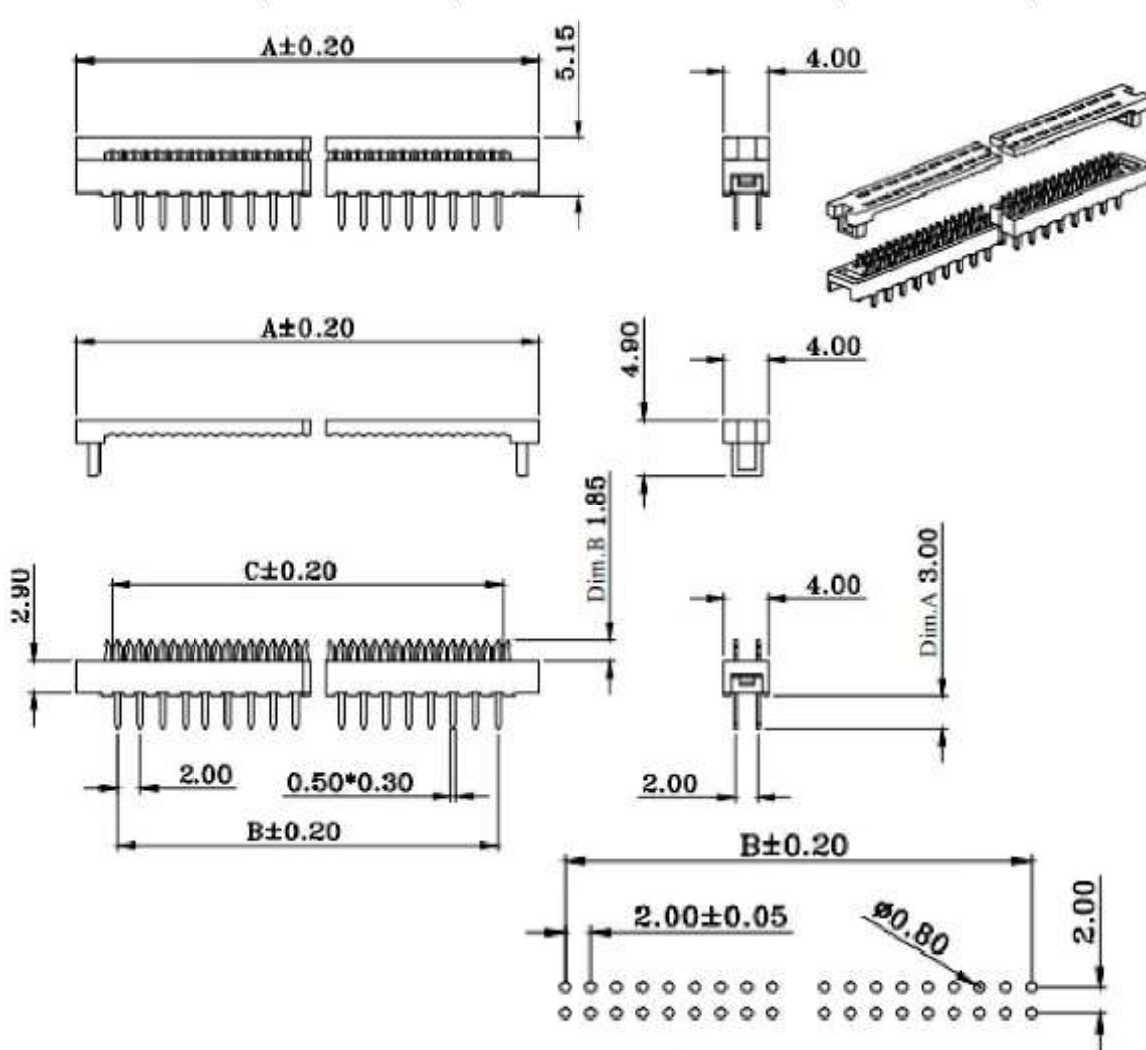


Datenblatt



Material:
Insulator: PBT+30% Glass Fiber (UL94V-0).
Contact: Phosphor Bronze.
Contact Plated: Gold or Tin over Nickel Plated.

Specification:
Current Rating: 1 Amp.
Withstanding Voltage: AC 500V for 1 Minute.
Insulation Resistance: 1000M Ω Min. at DC 500V.
Contact Resistance: 15m Ω Max.
Operating Temperature: -40°C ~ +105°C.