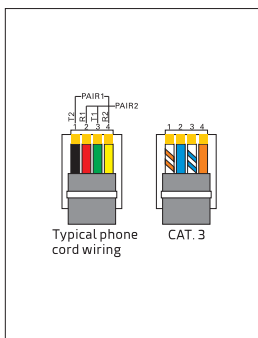
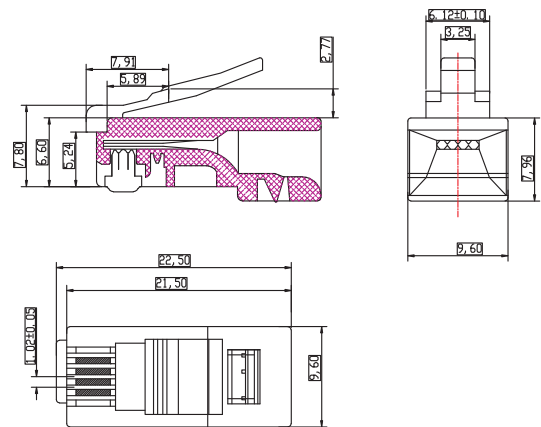
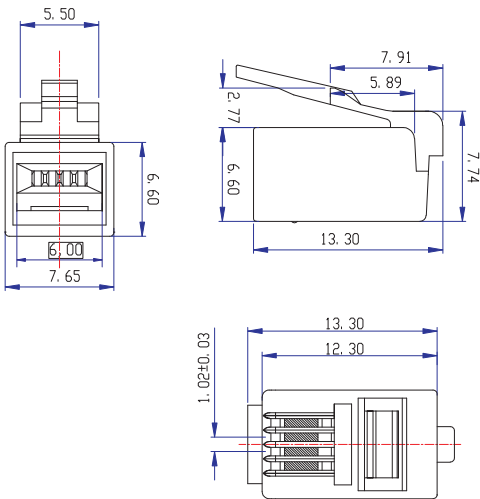
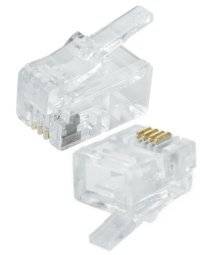


15pcs Modular Plug Connector Set



Technical:
 250 V/AC max. at 2 amp.
 Dielectric with standing 500 V/AC
 Insulation resistance: 500Mohm
 Termination resistance: 35 Mohm
 Mechanical:
 Cable-to-Plug tensile strength: 20LBs (89N) min.
 Durability: 500 mating cycles

Type	Pole	Category	Color	RJ type
1906C161	4P4C	CAT.3	Transparent	RJ10
1906C162	6P4C	CAT.3	Transparent	RJ11/RJ14