

L71 PS PHE 185 (767 766)



Figure without obligation

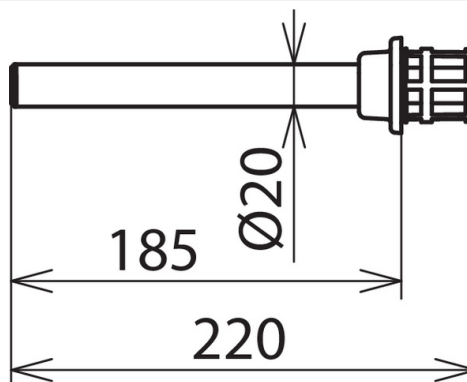


Figure without obligation

For overhead lines

Type	L71 PS PHE 185
Part No.	767 766
Total length (l _o)	220 mm
Insertion depth (l _i)	185 mm
Category	L 71
Material (test electrode)	Copper alloy/gal Sn
Material (test prod)	Glass-fibre reinforced epoxy resin tube
Diameter	20 mm
Colour	Grey
Weight	129 g
Customs tariff number (Comb. Nomenclature EU)	90309000
GTIN	4013364091696
PU	1 pc(s)

We reserve the right to introduce changes in performance, configuration and technology, dimensions, weights and materials in the course of technical progress. The figures are shown without obligation.

Other versions are available on request.