

# Wireless Pushbuttons and YESLY Accessories



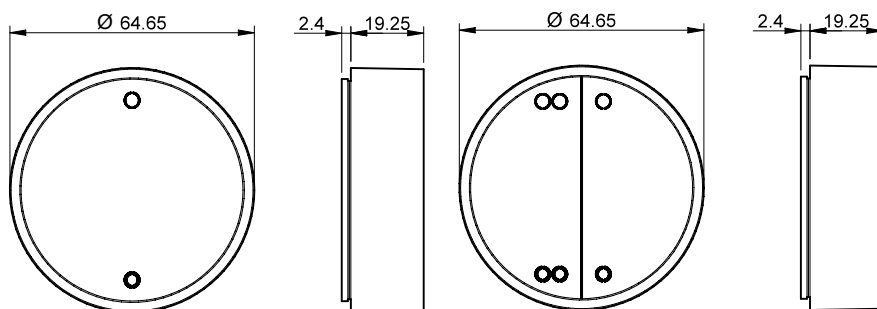


**BEYON - Wireless pushbutton**

Finder's BEYON is an innovative remote control for your YESLY comfort living system.

- The clean design of the BEYON blends well with all styles of furnishings with a result that is discreet and elegant.
- BEYON can be paired, via the Finder Toolbox App, with other YESLY devices such as actuators and dimmers to turn on/off or dim lighting, or to control electric shutters and blinds.
- BEYON can also be configured to activate SCENARIOS as well as control many other devices of your choosing.
- Your BEYON works without batteries and without any need for recharging.
- Available with two or four channels.

**1Y.13.Bxx**



**Types**

- BEYON – Wireless pushbutton, 2 channels, white
- BEYON – Wireless pushbutton, 2 channels, black
- BEYON – Wireless pushbutton, 4 channels, white
- BEYON – Wireless pushbuttons, 4 channels, black

- 1Y.13.B10**
- 1Y.13.B12**
- 1Y.13.B20**
- 1Y.13.B22**

**Technical data**

Power source	Integral self powered generator
Operating frequency	2.4 GHz Bluetooth 4.2 BLE
Operating cycles	cycles 50 000
Ambient temperature range	°C -25...+65
Transmission range	Approximately 10 m in free space and without obstacles. The transmission range may vary depending on the building structure.
Color	White - Black
Dimensions	mm 64.6 Ø x 24.6
<b>Approvals</b> (according to type)	<b>CE FCC IC</b>

**BEYON** pushbuttons are supplied with a magnetic disc and an adhesive pad, so it is possible to attach them to most surfaces: metal, wood, glass - so you can always have it right where you need it. The silicone covers protect the BEYON from falls and provide an incredibly simple color coding, in order to associate buttons to rooms or functions.

**BEYON** is available in WHITE or BLACK, whereas cover colours are FINDER BLUE, NIGHT GREY and GLACIER WHITE.



**Wall-mounting pushbutton 013.B9**

013.B9 wireless pushbutton is an innovative remote control for your **YESLY** comfort living system.

- The pushbutton can be paired, via the Finder Toolbox App, with other YESLY devices such as actuators and dimmers to turn on/off or dim lighting, or to control electric shutters and blinds.
- The pushbutton can also be configured to activate SCENARIOS as well as control many other devices of your choosing.
- The device works without batteries and without any need for recharging.
- Configurable as two or four channels.
- The design is more classical and essential endowing the YESLY system with a more complete stylistic range.

**013.B9**

Type		013.B9
013.B9 pushbutton can be set in 2 or 4 channel mode.		
Technical data		013.B9
Source of energy		Integral self powered generator
Operating frequency		2.4 GHz Bluetooth 4.2 BLE
Operating cycles	cycles	50 000
Ambient temperature range	°C	-25...+65
Transmission range		Approximately 10 m in free space and without obstacles. The transmission range may vary depending on the building structure.
Color		White
Dimensions	mm	82 x 82 x 14
<b>Approvals</b> (according to type)		<b>CE FCC IC</b>

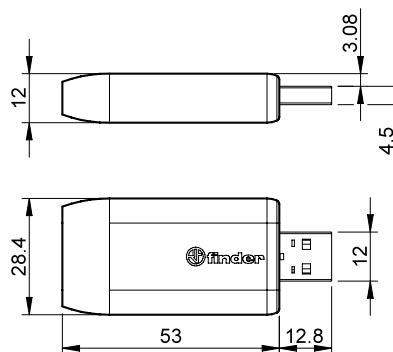
**013.B9** pushbuttons are supplied with a magnetic disc and an adhesive pad, so it is possible to attach it to most surfaces: metal, wood, glass - and therefore installation can be accomplished without any structural work.

The **013.B9** button is provided with the adapters for two or four channel configuration.

**Range extender**

The 1Y.EU.005 extends the effective transmission range of the Wireless pushbuttons and other YESLY devices if the Smartphone cannot communicate directly because of distance. The range extender is a plug-n-play device, and does not require configuring. It is equipped with an LED that indicates its operating state.

**1Y.EU.005**



**Type**

USB range extender

**1Y.EU.005**

**Technical data**

Power supply

USB connector 5V – 0.5 A min

Operating frequency

2.4 GHz

Ambient temperature range

°C

-10...+50

Transmission range

Approximately 10 m in free space and without obstacles.  
The transmission range may vary depending on the building structure.

Color

White

Dimensions

mm

28.4 x 12 x 65.8

**Approvals** (according to type)

**CE FCC IC**

The range extenders must be installed within a maximum distance of 10 meters, and up to 4 devices can be used in the same system. It can be installed in any USB input that provides a power supply of at least 5V and 0.5A.

