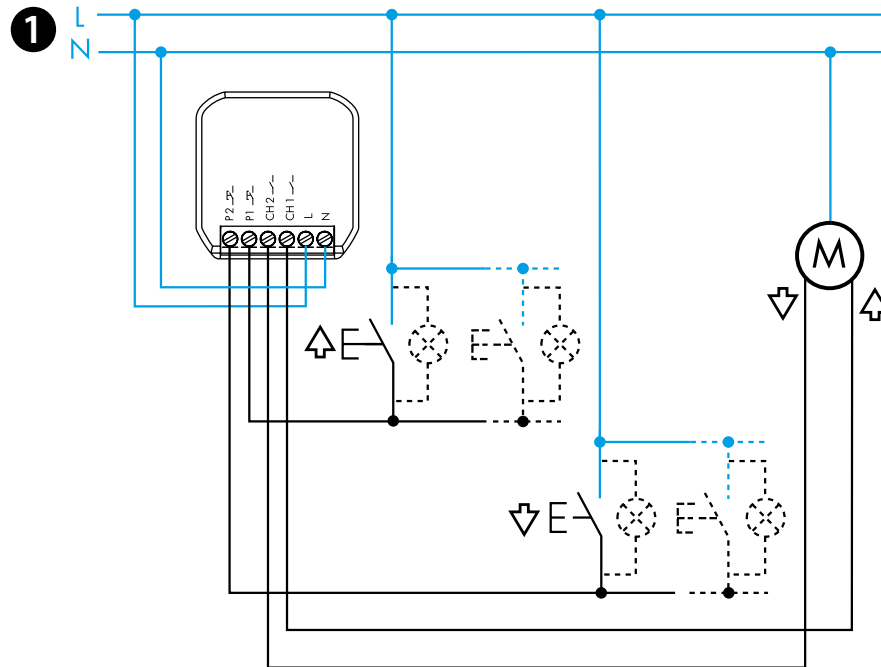




13.S2

EN 60669-1/EN 60669-2-1	
	13.S2.8.230.B000 U _N 230 V AC (50/60 Hz) U _{min} 184 V AC U _{max} 253 V AC P 2 VA (50 Hz) / 0.5 W
Ch1	2 NO (DPST-NO) 6A 230 V AC
Ch2	AC1 1380 VA AC15 (230 V AC) 300 VA Ⓜ (230 V AC) 200 W
	(-10...+50)°C
	5 (≤ 1 mA)
IP20	



ENGLISH

13.S2.8.230.B000
CURTAINS ACTUATOR

1 WIRING DIAGRAM

- Channel 1: Ch1 - push button 1 (P1)
- Channel 2: Ch2 - push button 2 (P2)

2 FINDER TOOLBOX APPLICATION

- With the Finder Toolbox App you can:
- Set the timings on channels Ch1 - Ch2
 - Associate the wireless button
 - Set the scenarios

NOTE

- Transmission range: approximately 10 m in free space and without obstacles
 - The transmission range may vary depending on the building structure
- Example:
- Reinforced concrete walls and/or metal walls
 - Partition walls filled with insulating wool on a metallic backing
 - Ceilings with metal or carbon fiber panels
 - Lead glass or glass with metal cladding, steel furniture

3 FUNCTIONS

2

Bluetooth™

Download on the
App Store

FINDER TOOLBOX

GET IT ON
Google Play

