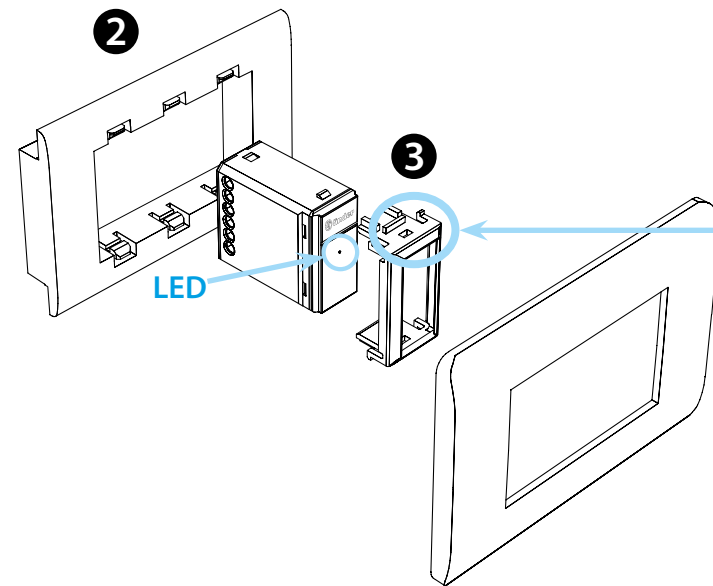
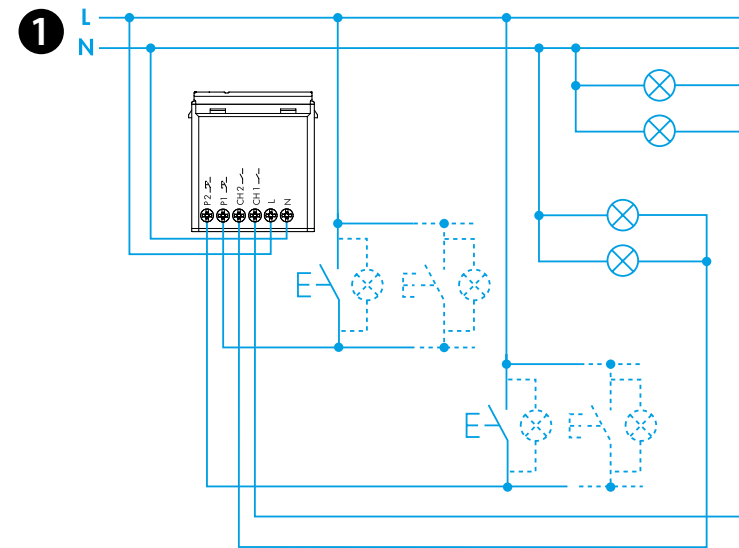




13.72

EN 60669-1 / EN 60669-2-1	
	<b>13.72.8.230.B00x</b> U <sub>N</sub> 230 V AC (50/60 Hz) U <sub>min</sub> 184 V AC U <sub>max</sub> 253 V AC P 2 VA (50 Hz) / 0.5 W
Ch1	(230 V) 200 W
Ch2	(230 V) 200 W (230 V) 200 W
	(-10...+50)°C
	5 (≤1 mA)
IP20	



<b>3a</b>	<b>AV</b> Ave S44
<b>BT1</b>	Bticino Living – LivingLight LivingLight Tech – LivingLight Air
<b>BT2</b>	Bticino Axolute
<b>GW</b>	Gewiss – Bticino Matix
<b>GW1</b>	Gewiss System
<b>SU</b>	Simon Urmet Nea
<b>VM1</b>	Vimar Plana – Eikon-Arké
<b>VM2</b>	Vimar Idea

**4** Bluetooth™

Download on the **App Store**

**FINDER TOOLBOX**

GET IT ON **Google Play**

**ENGLISH**

13.72.8.230.B000 MULTI-FUNCTION RELAY White  
13.72.8.230.B002 MULTI-FUNCTION RELAY Anthracite

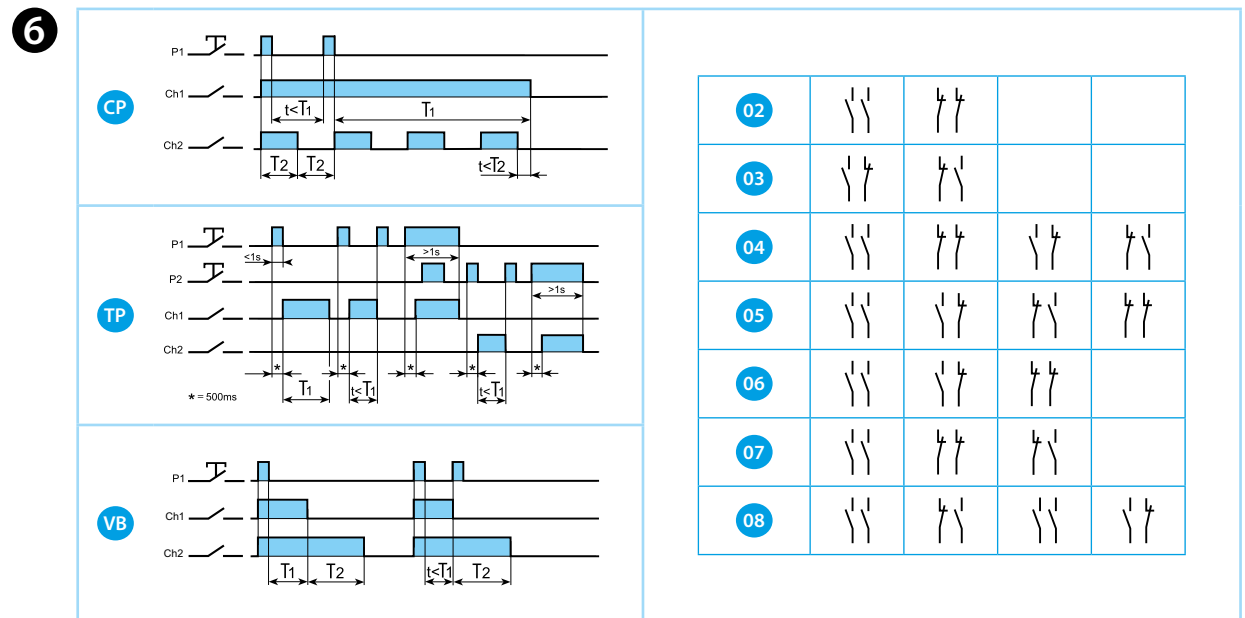
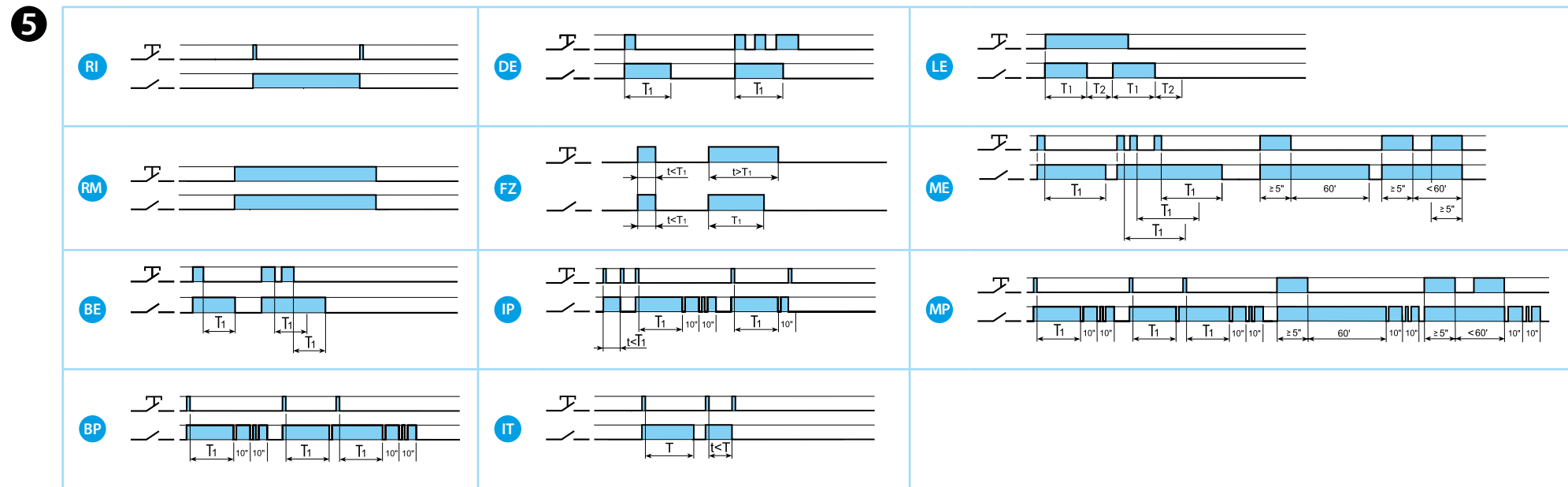
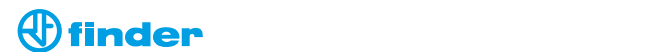
- 1 WIRING DIAGRAM**  
Channel 1: Ch1 - push button 1 (P1)  
Channel 2: Ch2 - push button 2 (P2)
- 2 INSTALLATION**  
LED: ON when connected to the smartphone, during the programming
- 3 ADAPTOR**  
(See table 3a for compatible systems)  
Note that these trademarks and trade names are not the property of Finder SpA or any of its associated companies, and are referred to in this sheet for the purposes of technical information only.

- 4 FINDER TOOLBOX APPLICATION**  
With the Finder Toolbox App you can:  
- Set the functions, the Sequences and the timing (T1, T2) on the Ch1 - Ch2 channels  
- Associate the wireless button  
- Set the scenarios

**NOTE**  
- Transmission range: approximately 10 m in free space and without obstacles  
- The transmission range may vary depending on the building structure  
Example:  
- Reinforced concrete walls and/or metal walls  
- Partition walls filled with insulating wool on a metallic backing  
- Ceilings with metal or carbon fiber panels  
- Lead glass or glass with metal cladding, steel furniture

- 5 FUNCTIONS for single channel**  
The Ch1 and Ch2 channels are independent and can be set with different functions. Timings (T1, T2): from 1s to 24h.  
RI: factory pre-set function on both channels

- 6 FUNCTIONS using both channels**  
Switching sequences 02 to 08 work on both Ch1 and Ch2.  
**NOTE**  
P1 (SET): leads to the next state  
P2 (RESET): leads to the initial state



Utility Model - IB1372VXX - 06/19 - Finder Sp.A. con unico socio - 10040 ALMESE (TO) - ITALY

