

REPORT




finder[®]
SWITCH TO THE FUTURE

YESLY TIME FOR COMFORT LIVING

FINDER YESLY. It's time for comfort living

YESLY is the innovative system for the smart control of lights, blinds and curtains, designed to ensure the maximum comfort in your home.

The **YESLY System** comprises a multifunction relay (actuator), a dimmer, the BEYON wireless pushbutton and two smartphone apps: Finder TOOLBOX - for installation - and Finder YESLY - for the commands.

The devices intercommunicate via  **Bluetooth**[™]



Type 13.72
Multifunction relay
(actuator)



Type 15.71
Dimmer



BEYON BLUETOOTH PUSHBUTTON



Multifunction relay with Bluetooth, with 2 output channels.
Versatile, and suitable for countless applications.

The Type 13.72 multifunction relay is the heart of the Yesly system. It represents the natural evolution of the traditional step relay; and thanks to its unparalleled flexibility it can carry out a variety of on/off functions associated with lighting, electric shutters or power curtains.



Turning devices ON / OFF



Timer Settings



Shutters / Curtains automation



Type 13.72.8.230.B000 - White



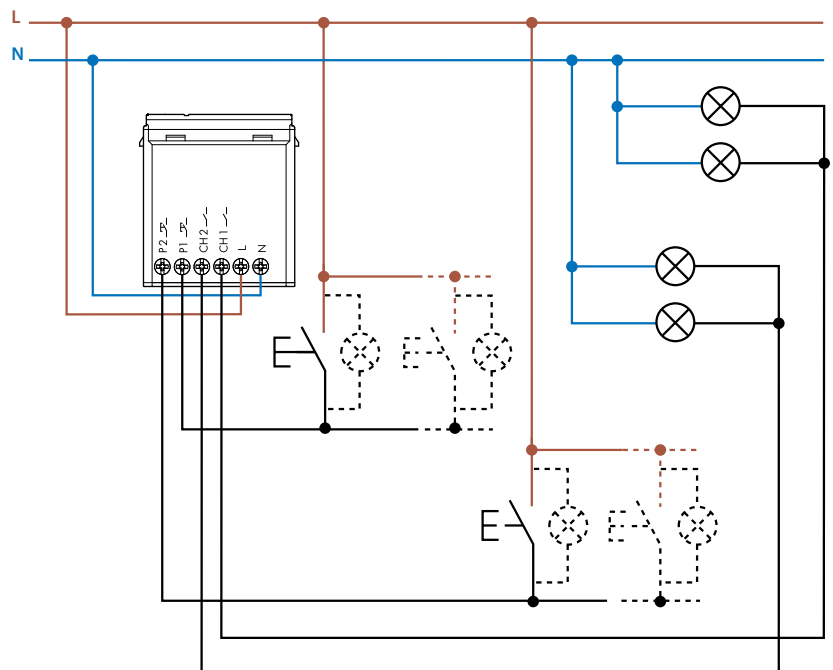
Type 13.72.8.230.B002 - Metallic Anthracite

- 2 independent and programmable channels
- 21 available functions ¹
- Default function (both channels): RI – Step relay
- 2 outputs with NO contacts rated 6 A 230 V AC
- Lamp load: 200 W 230 V AC
- 2 inputs for wired pushbuttons (one input per channel). Up to 5 illuminated pushbuttons per input
- Management of up to 8 scenarios
- App programming with iOS or Android Smartphone
- Supply voltage 230 V AC (50/60Hz)
- Secure connection with 128-bit encryption
- Compatible with the most popular wall switch systems ²

¹ 21 selectable functions

- Monostable relay
- Step relay
- Asymmetric flasher (starting pulse on) with control signal
- Interval with control signal on
- Interval with timed control signal
- Staircase light timer
- Staircase light timer + stair maintenance
- Staircase light timer with switch off early warning
- Staircase light timer with switch off early warning + staircase maintenance
- Timing step relay
- Timing step relay with switch off early warning
- Roller shutter control
- Toilet fan and light control
- Doorbell and light control
- 7 step relay sequences (2 outputs)

Wiring diagram Type 13.72





Bluetooth dimmer with a single 200 W output. Compatible with energy-saving lamps, compact dimmable fluorescent lamps (CFL) or dimmable LEDs - with either electronic or electromagnetic transformers.

Type 15.71 is a universal dimmer that allows you to remotely control many different types of light source - increasing comfort and reducing the waste of energy.

It is incredibly versatile and suitable for countless applications using dimmable LED or CLF lamps, halogen lamps, electronic ballasts.



Brightness control



Light control



Soft start function

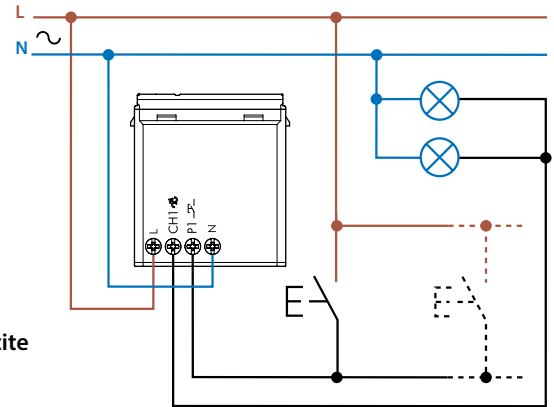


Type 15.71.8.230.B200 - White



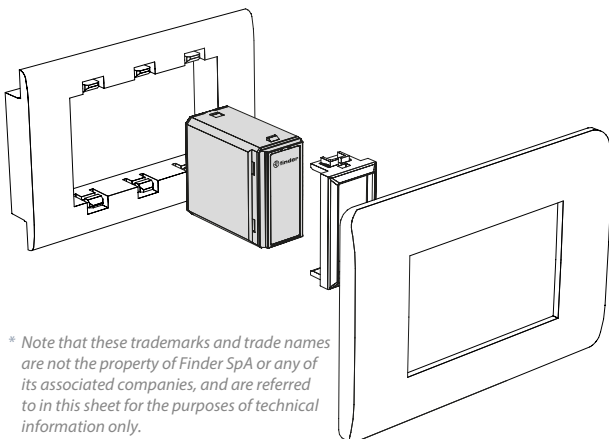
Type 15.71.8.230.B202 - Metallic Anthracite

Wiring diagram Type 15.71



- 1 output
- Lamp load: 100 W LED, 200 W halogen
- AUTO function, to automatically set the most appropriate method for driving the type of lamp being used
- An additional 7 functions to manually set the lamp driving method and the control curve
- Leading edge and trailing edge compatibility
- Default function: Trailing edge (linear)
- 1 wired pushbutton input
- Management of up to 8 scenarios
- App programming with iOS or Android Smartphone
- Over-temperature and short-circuit protection
- Supply voltage 230 V AC (50 / 60Hz)
- Secure Bluetooth 4.2 Low Energy connection with 128-bit encryption
- Compatible with the most popular wall switch systems ²

² The Types 13.72 and 15.71 are compatible with most popular residential and commercial frame systems such as: AVE[®], Bticino[®], Gewiss[®], Simon Urmet[®], Vimar[®], through the use of special adaptors included in the box.

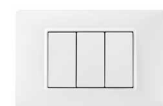


** Note that these trademarks and trade names are not the property of Finder SpA or any of its associated companies, and are referred to in this sheet for the purposes of technical information only.*

Types 13.72 and 15.71 operated via the following:



Wired Pushbuttons



Wireless Pushbuttons



Type 013.B9

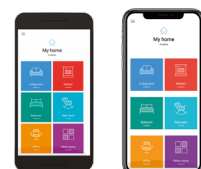
BEYON



Type 1Y.13.Bxx



Smartphone - Android / iOS



BEYON BLUETOOTH PUSHBUTTON 2 or 4 channel Wireless pushbuttons

Finder's BEYON is an innovative remote control for your YESLY comfort living system. BEYON's minimal design is suitable for every kind of interior decorations giving a light and elegant touch. BEYON Bluetooth pushbuttons can be associated with Yesly devices through the Finder TOOLBOX App. They can switch or dim lights, control electric shutters and other kind of loads. You can set them up to control whatever you want and even activate SCENARIOS. Beyon works without batteries and without any charging device.



Bluetooth



Turning devices ON / OFF



No recharging or batteries needed



Control SCENARIOS



Type 1Y.13.B10 - pushbutton BLE 2CH - WHITE
Type 1Y.13.B20 - pushbutton BLE 4CH - WHITE



Type 1Y.13.B12 - pushbutton BLE 2CH - BLACK
Type 1Y.13.B22 - pushbutton BLE 4CH - BLACK

BEYON pushbuttons are supplied with a magnetic disc and an adhesive pad, so you can place them on any surface: metallic, wooden or glass. Moreover, the silicon covers included in the package protect Beyon from accidental falls and provide an incredibly simple colour coding, useful for associating the buttons with rooms or functions. BEYON is available in WHITE or BLACK color, while the covers are supplied in FINDER BLUE, NIGHT GRAY and GLACIER WHITE.



2 or 4 channel Wireless pushbuttons

Wireless pushbuttons for your YESLY comfort living system. Can be associated with Yesly devices through Finder TOOLBOX app. They can switch or dim lights, control electric shutters and other kind of loads. You can set them up to control whatever you want and even activate SCENARIOS. The Type 013.B9 pushbuttons works without batteries and without any charging device.



Type 013.B9

The Type 013.B9 pushbuttons is supplied with a magnetic disc and an adhesive pad, so you can place it on any surface: metallic, wooden or glass. Easy to install without the need of invasive works. Can be mounted in 60 mm round box. The Type 013.B9 pushbuttons has a more classic and essential design, providing the Yesly system with a complete stylistic range.

The 013.B9 pushbuttons can be configured as 2 or 4 channels using the adapters supplied in the package.

Features - BEYON and wireless pushbuttons

- Operating frequency: Bluetooth 4.2 BLE 2.4 Ghz
- Switching cycles: 50 000
- Operating temperature: -25 °C...+65 °C
- Transmission range: approximately 10 m in free space and without obstacles. The transmission range may vary depending on the building structure.

USB input range extender

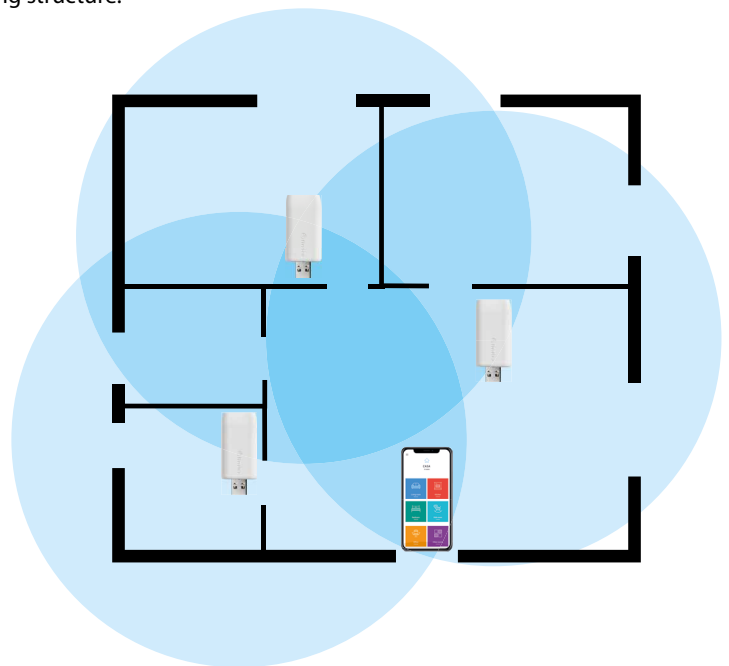
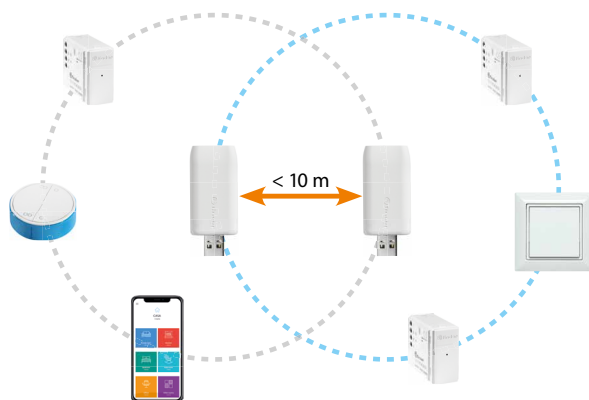
This device will extend the transmission range and is used when the Wireless Buttons or the Smartphones cannot communicate with the Yesly devices because of the distance. The range extender is a plug-n-play device, it does not need configuring. It is equipped with an LED that shows when the device is operating.

The range extenders must be installed within a maximum distance of 10 meters. Up to 4 devices can be used in the same system. They can be installed in any type of USB socket that provides a power supply of 5V and 0.5A minimum.



Type 1Y.EU.005

- Power supply: USB plug 5V – 0.5 A minimum
- Operating frequency 2.4 Ghz
- Operating temperature range: -10 °C...+50 °C
- Transmission range: approximately 10 m in free space and without obstacles. The transmission range may vary depending on the building structure.



Finder Toolbox

Finder TOOLBOX

- Program devices
- Set functions
- Rename devices/Delete devices
- Associate wireless pushbuttons
- Operate virtual buttons
- Share the plant with the end use



Finder Yesly

Finder YESLY

- Switching ON, OFF and DIMMING lamps
- Group and manage devices by room
- Share settings
- Rename devices
- Customise the devices



Example of a living room application

- 1 Dimmer Type 15.71: controls the ceiling spot lights
- 2 Actuator Type 13.72: controls the opening and closing of the shutter
- 3 Actuator Type 13.72 with impulse relay function and control of both channels: Channel 1 - ceiling lamp. Channel 2 table lamp
- 4 The wall pushbuttons are wired directly to the dimmers and actuators
- 5 The Beyon pushbutton is programmed to operate the All Off, All On, Reading and Cinema scenarios
- 6 The smartphone is programmed to control individual devices and scenarios

