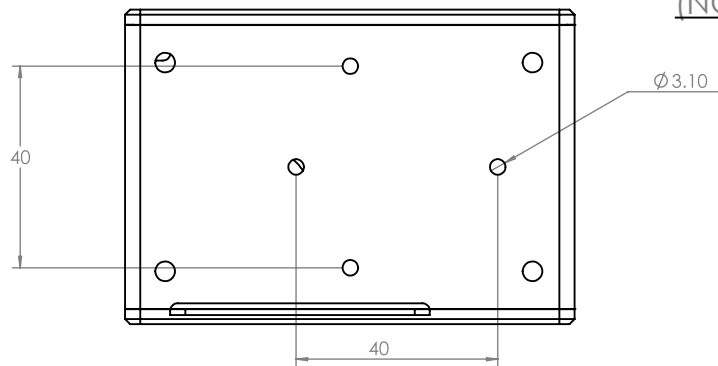


HOLES FOR CDR-BRACKET
(NOT SUPPLIED)



4x RUBBER FEET SUPPLIED

				UNLESS OTHERWISE SPECIFIED: DIMENSIONS ARE IN MILLIMETERS	GENERAL TOLERANCES +/- 0.2	REVISION. A
				FINISH. TEXTURED	TITLE:	
				COLOUR. BLACK	DWG NO.	
	NAME	SIGNED	DATE	MATERIAL. 3mm HIPS	A4	
DRAWN				PROJECTION.	SCALE: 2:3	SHEET 1 OF 1
CHK'D					DO NOT SCALE DRAWING	