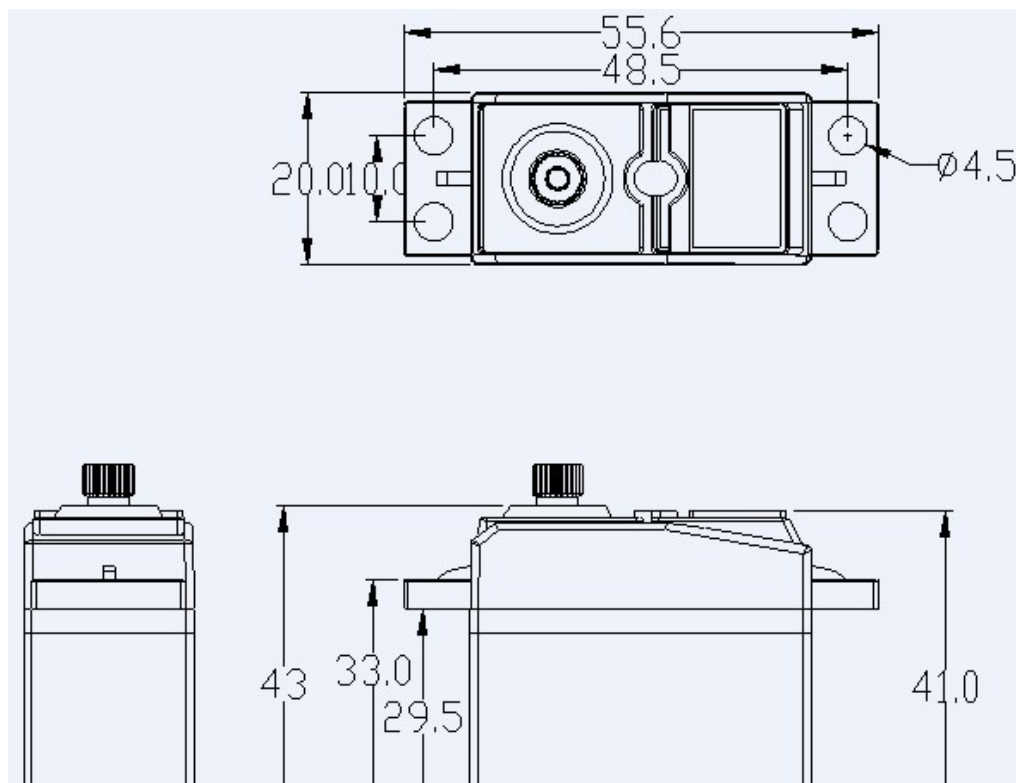


A. basic data

type		9kg waterproof servo
Model number		511877C
specification		standard
Working speed(6V@60°)		0.3sec/60°
gear (metal gear)		4MG
External dimension	Maximum length (mm)	40.0
	Maximum height (mm)	43.0
	Maximum width (mm)	20.0
torque force (4.8V)		7.08kg-cm
torque force (6V)		8.5kg-cm/
wire length		250MM
angular difference		±1°
0 swing back		±1°
no-load current		0.5A
weight		58g

B. Exterior dimension



C. Picture for the servo

