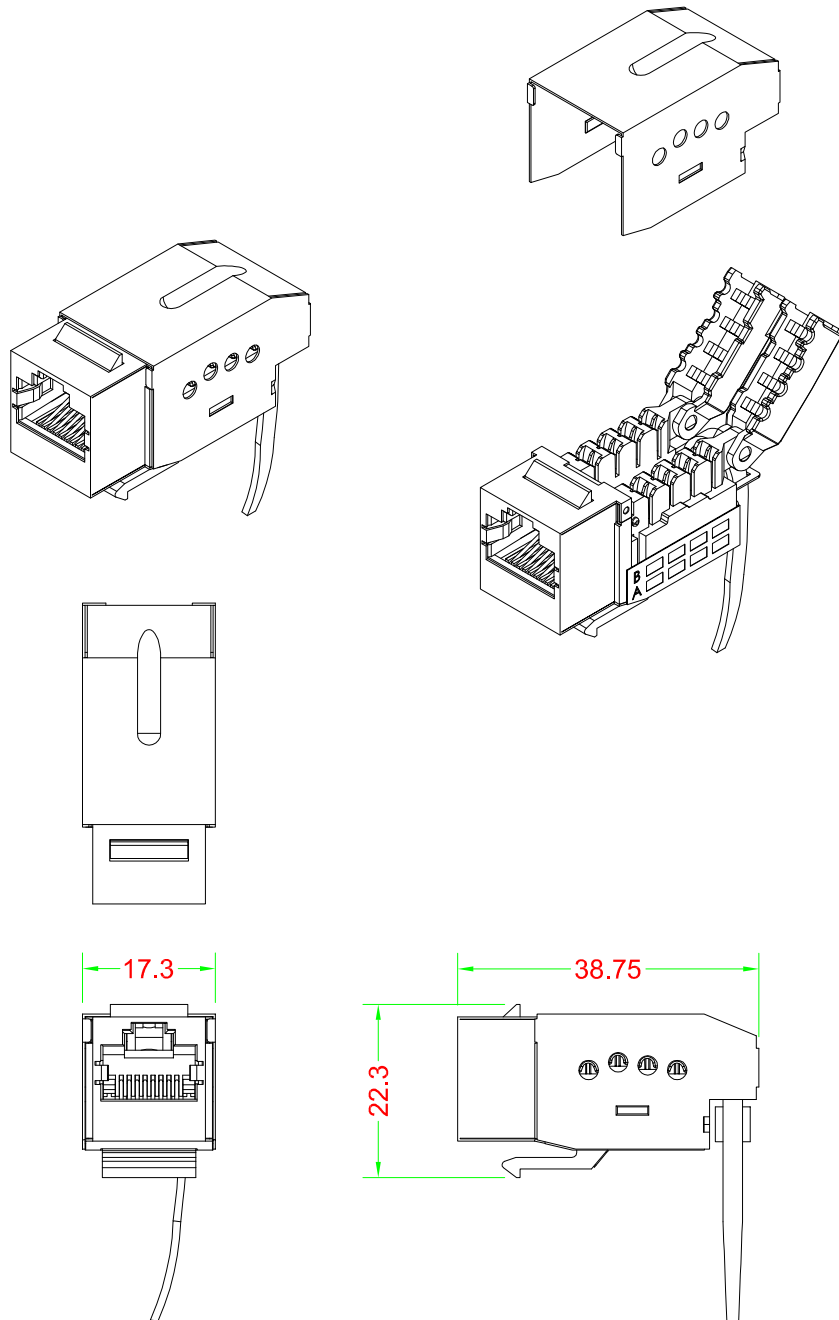


C6 KEYSTONE JACK FTP 50u



Performance:

Meets C6 EIA/TIA 568B Standard.

Materials:

Body : Fireproof ABS UL-94V0

Metallic Case : Metal

Jack : 8P8C 50 micro inches gold plated

PCB : FR-4 / UL-94V0

IDC Cap : Fireproof PC

IDC Body : Fireproof ABS UL-94V0

IDC Pin : Phosphor Bronze & Tinned

IDC Description : For 22-26 AWG.

For 110 or Krone punch-down Tool
Toolless (when use IDC cap directly)

Electrical Specifications:

Insulation Resistance : 500M ohms (min.)

Contact Resistance : 20m ohms (max.)

Current Rating : 1.5 Amps .

DC Resistance : 0.1 ohms (max.)

Withstanding Voltage : 1000 VAC RMS @ 60Hz / 1 min.

Mechanical Specifications:

IDC Punch Down Cycle : Over 250 Cycles (min.)

Jack Insertion Cycle : Over 2000 Cycles (min.)

Operation Temperature : -40 °C ~ +70 °C

Operation humidity : 10%~90% RH

Storage temperature : -40 °C ~ +70 °C

Storage humidity : 10%~90% RH

DRAW NO:		ITEM NO:	1489930, 2142900
	APPR	CUSTOMER:	
UNIT: m/m	DESIGN	DATE:	
SCALE:	Ref. NO:	TOLERANCE:	· ± 1 · X ± 0.2 · XX ± 0.15



Renkforce