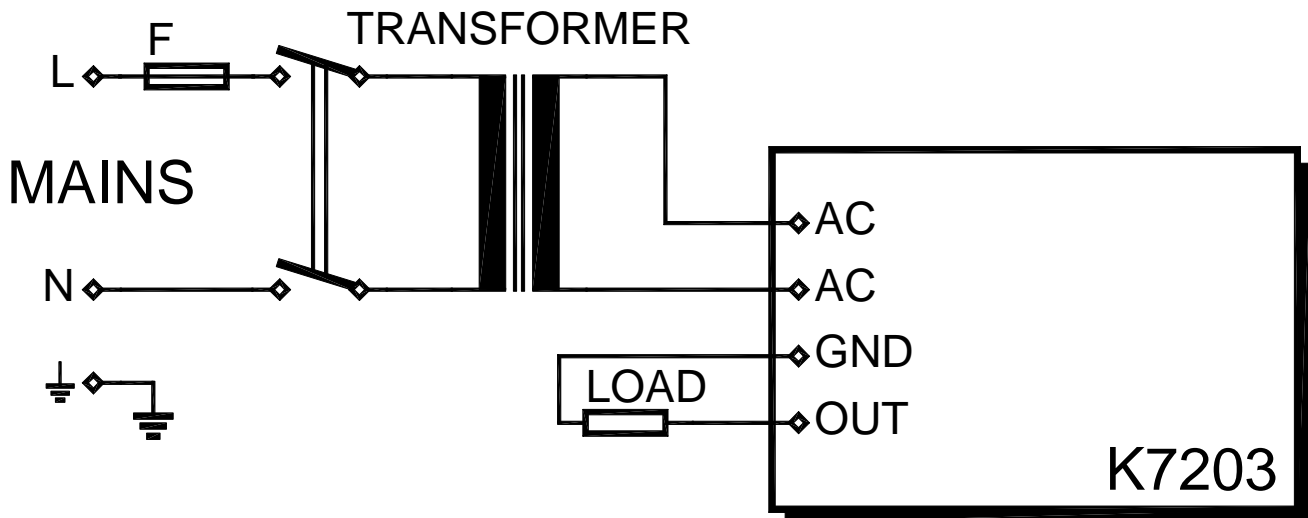


# Connection diagram & table for desired output voltage of the 0 to 30VDC / 3A power supply

**K7203**



<i>Desired regulated output voltage</i>	<i>R2</i>	<i>Desired transformer Ordercode only @230VAC</i>	<i>Desired fuse @ 230VAC</i>	<i>Desired fuse @ 110VAC</i>
3...5V	5K6	9V / 30VA - 309	160mA Slow	315mA Slow
5...8V	5K6	12V / 50VA - 5012	250mA Slow	500mA Slow
8...13V	2K2	15V / 50VA - 5015	250mA Slow	500mA Slow
13...15V	2K2	18V / 80VA - 8018	400mA Slow	800mA Slow
15...18V	2K2	22V / 80VA - 8022	400mA Slow	800mA Slow
18...22V	2K2	24V / 80VA - 8024	400mA Slow	800mA Slow
22...30V	2K2	30V /120VA - 12030	800mA Slow	1.5A Slow

