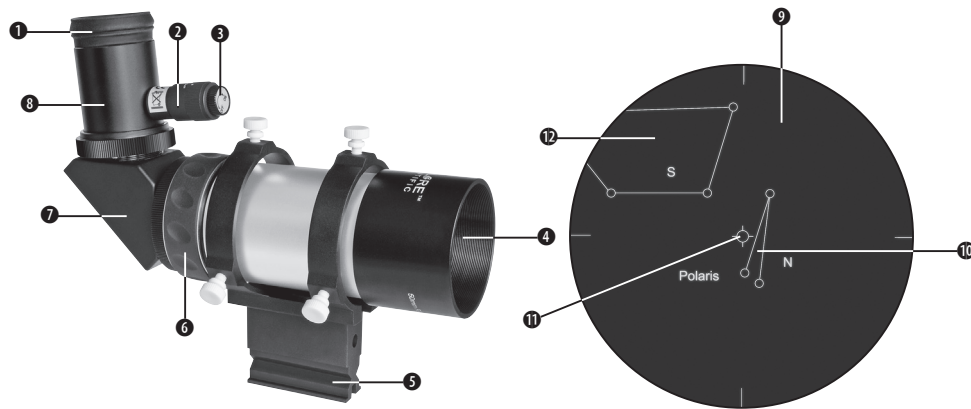


Instruction Manual

8x50 Polefinder scope 90°

Art. No. 0620160



Celestial pole alignment (only for the northern hemisphere)

IMPORTANT! The polefinder scope must be aligned both, parallel to the optics and parallel to the RA axis. The adjustment is analogous to a polefinder which is installed in the axle housing of mounts.

The reticle (9) is based on that of a common polefinder. The crosshairs (11) marks the center of the rotation axis and the true celestial pole. The constellation (10) next to Polaris is used for positioning, so that the crosshairs can be aligned automatically without setting circles, date or time to the true celestial pole.

The reticle holder (8) is rotated so that the constellation (10) on the reticle coincide in the orientation with the visible constellation. Adjust latitude and azimuth of the mount so that Polaris is placed below the marked circle.

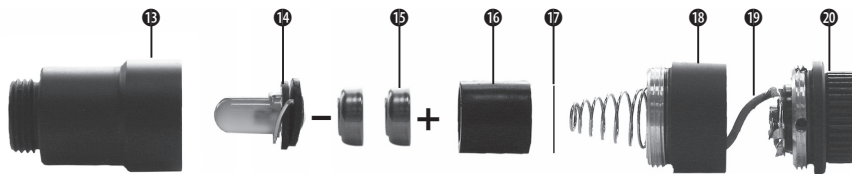
For the southern hemisphere, the opposite constellation named Octans (12) should be chosen accordingly.

Illumination unit

ATTENTION! Lid (18) and On/Off switch (20) are interconnected by a short cable (19). Make sure that this connection is not damaged when disassembling!

Before first use, unscrew the illumination unit (2) from the polefinder scope. Disassemble the device as shown in the illustration. Remove the plastic plate (17). Reassemble the unit and screw into the polefinder scope again.

To change the batteries, disassemble the illumination unit in the same way and replace the batteries. Make sure, batteries are installed with correct polar alignment!



Parts overview

- 1 Reticle focussing/eyepiece, 2 Illumination unit, 3 On/Off switch, 4 Objective lens, 5 Dovetail rail, 6 Optics focus, 7 Amici prism, 8 Reticle holder/eyepiece, 9 Reticle, 10 Constellation (northern hemisphere), 11 Crosshairs (northern hemisphere: Polaris), 12 Constellation Octans (southern hemisphere) 13 Socket 14 LED 15 Batteries (2 x button cell, LR41 type) 16 Holder 17 Plastic plate 18 Lid 19 Connection cable 20 On/Off switch