

NEMA23-02

Bipolar Stepper Motor



This stepper motor can be used optimally for tasks in the areas of automation, CNC (f.e. milling machines, etc.), or robotic.

KEY FEATURES

Shaft diameter	Ø6.35 x 20 mm (single shaft)
Specification	57SHD0408-21
Connection	6-pole socket (JST), 4 Pins used
Steps per revolution	200
Dimensions	56 x 56 x 56 mm
Items delivered	NEMA23-02 Motor

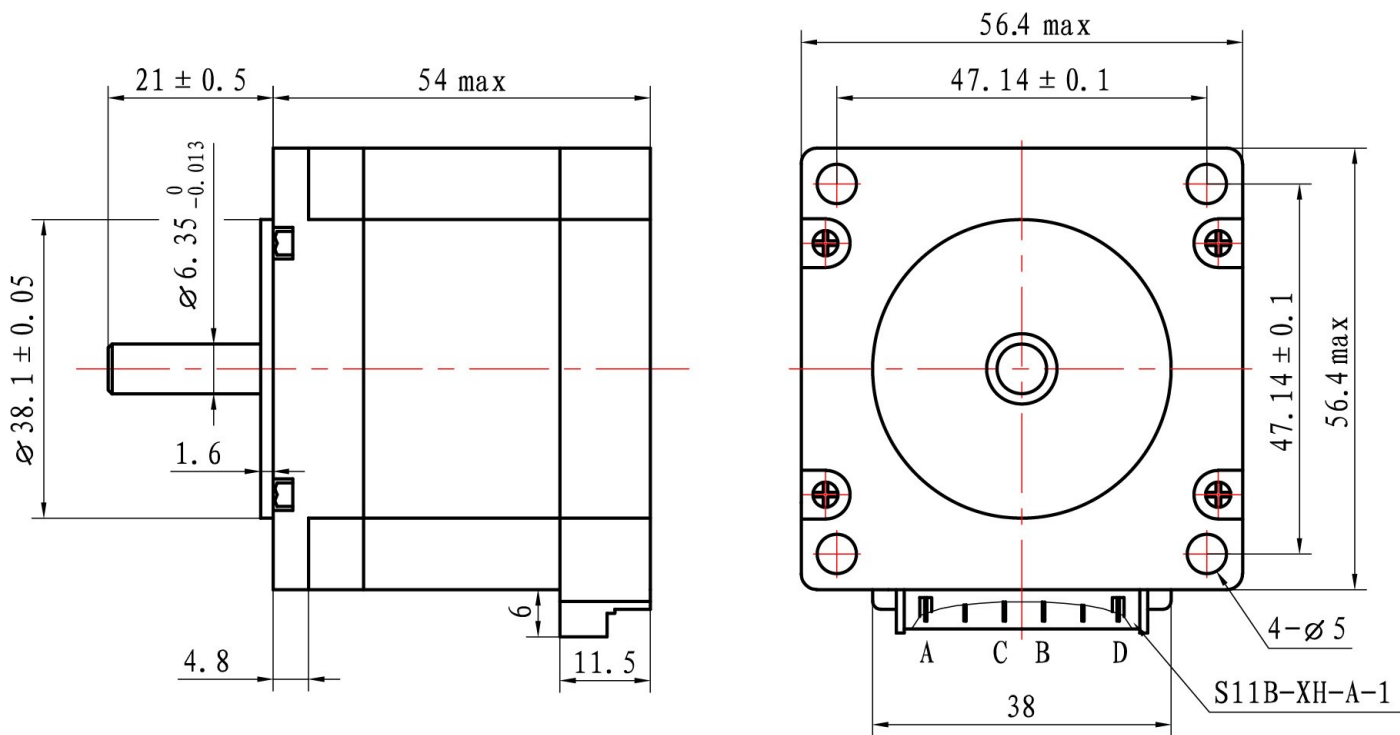
PERFORMANCE CHARACTERISTICS

Holding Torque	1.2 Nm
Rated Voltage	3 V
Rated Current	2.5 A
Step Angle	1.8 °
Amount of Phases	2
Phase Resistance	1.2 Ω
Phase Inductivity	4.3 mH
Isolation resistance	Min. 100MΩ at 500 V DC
Isolation class	B (130°)
Rotational Inertia	260 g·cm ²
Detent torque	0,04 Nm
Operating Temperature	-10 °C - 50 °C

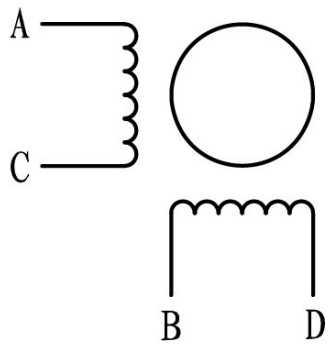
FURTHER DETAILS

Article No.	NEMA23-02
EAN	4250236818795
Customs Tariff No.	8501109990

DRAWING



WIRING



TORQUE DIAGRAM

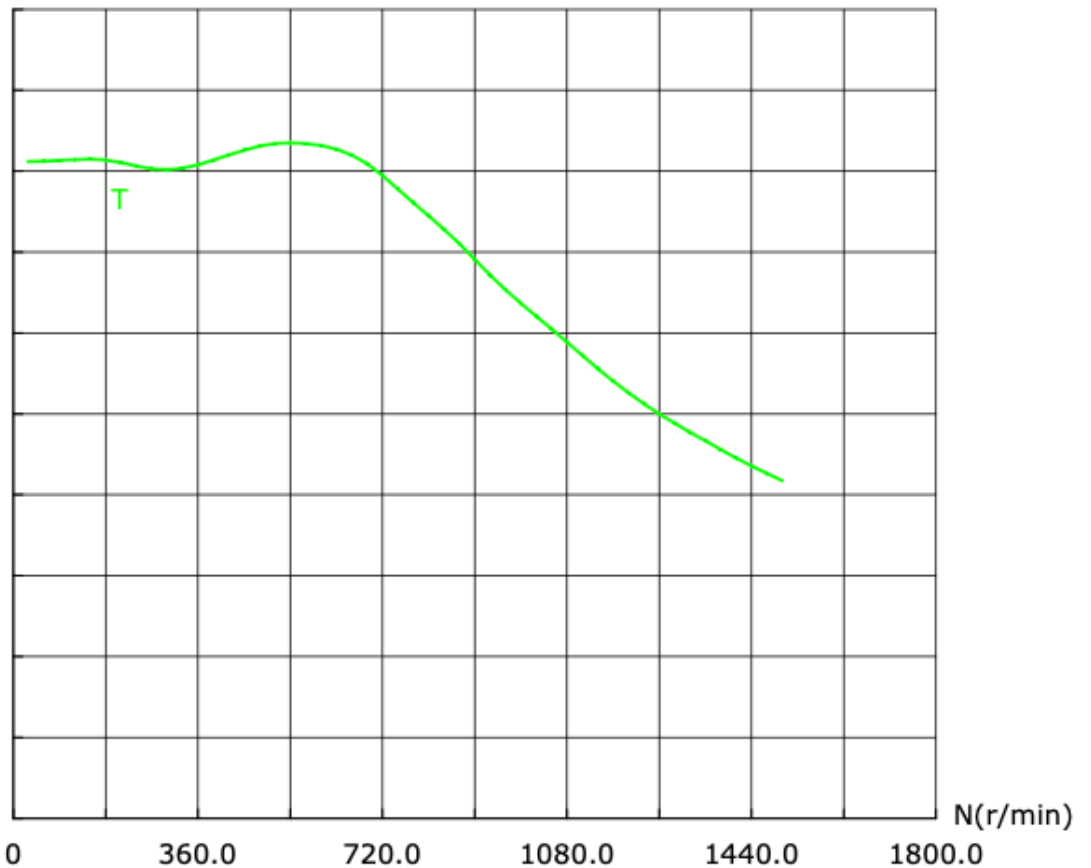
2H-845 DRIVER SETTINGS

Voltage 48,30 V

max. current 2,5 A

T(N.m)

0.90
0.81
0.72
0.63
0.54
0.45
0.36
0.27
0.18
0.09



MAX. EFFICIENCY

Efficiency 70,9 %

Torque 0,487 mNm

Current 1,704 A

Speed 1170,1 min⁻¹

Output power 59,50 W

MAX. TORQUE

Torque 0,752 mNm

Current 1,368 A

Speed 539,9 min⁻¹

Output power 42,50 W

MAX. POWER

Torque 0,530 mNm

Current 1,721 A

Speed 1080,1 min⁻¹

Output power 59,81 W

Published: 25.10.2021

www.joy-it.net

SIMAC Electronics GmbH,
Pascalstr. 8, 47506 Neukirchen-Vluyn