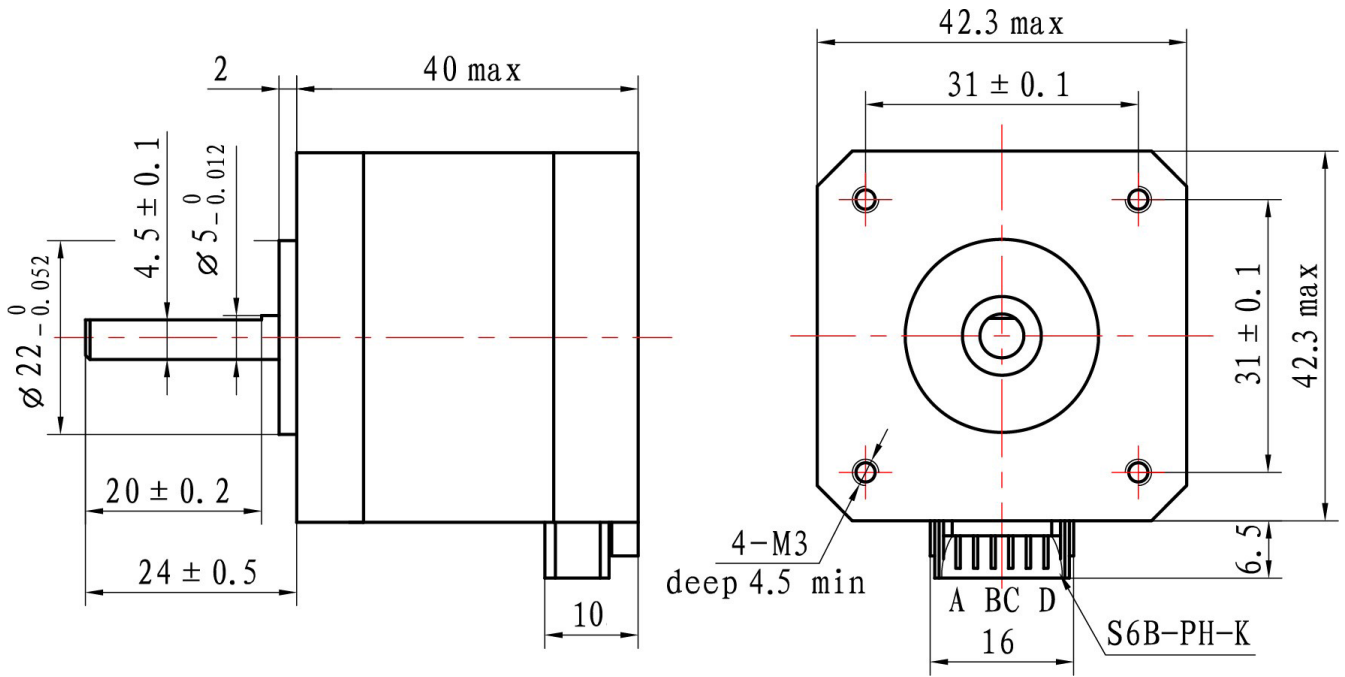


NEMA17-04

schematic drawings



Wiring diagram

