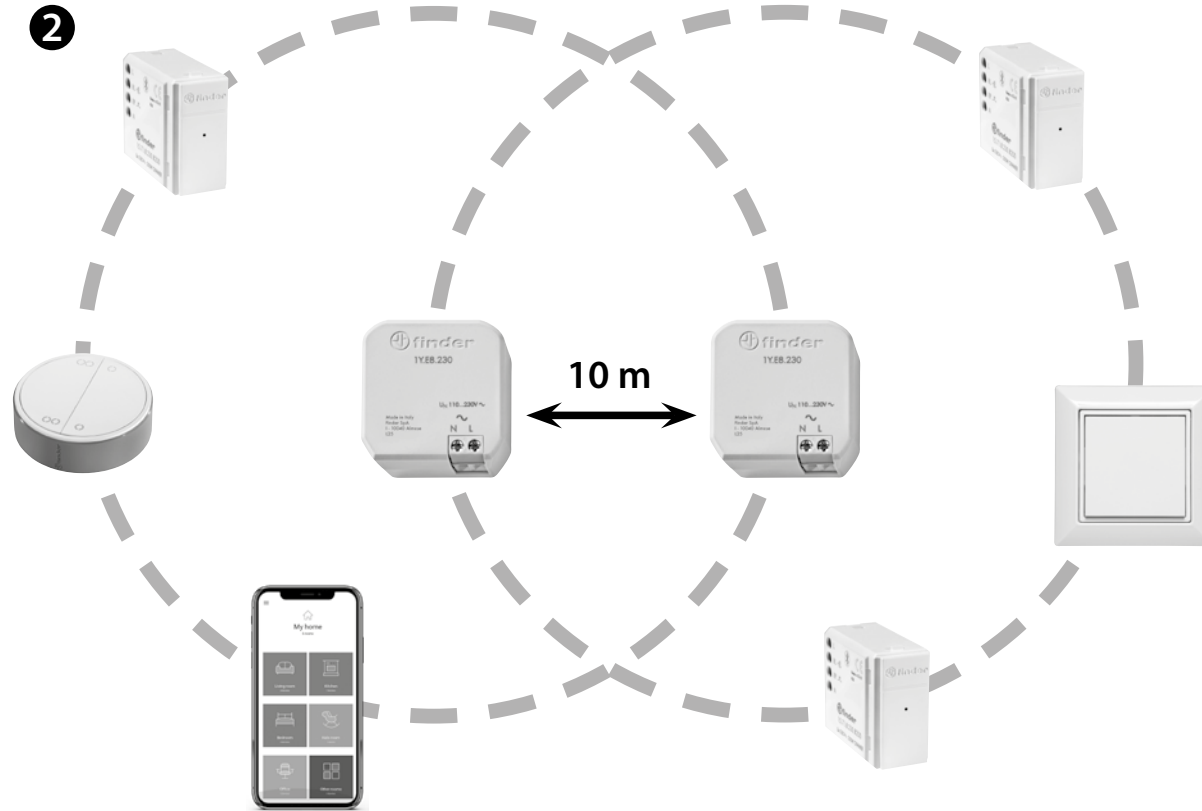
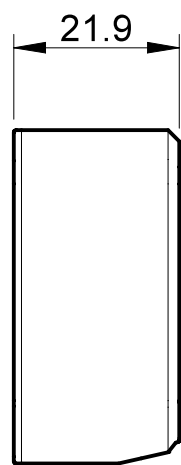
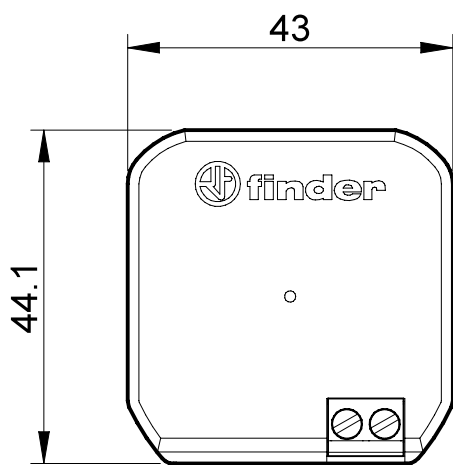
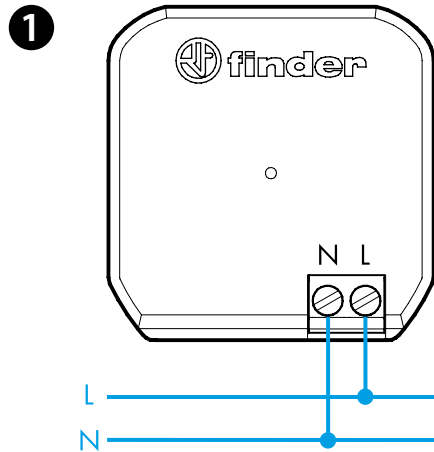




1Y.E8.230



ENGLISH

1Y.E8.230 RANGE EXTENDER 230 V AC

- 1** WIRING DIAGRAM
- 2** INSTALLATION

NOTE
 - Does NOT require configuration
 - Maximum of 4 Range Extenders per YESLY device group

TECHNICAL SPECIFICATION

Power supply	110...230 V AC
Operating frequency	2.4 Ghz
Operating temperature	-10...+50°C
Approvals	CE, FCC, IC (Europe, US, Canada)
Transmission range	Approximately 10 m in free space and without obstacles. The transmission range may vary depending on the building structure

