

# Instruction Manual

## PORTABLE CD/MP3/USB/CASSETTE PLAYER WITH DAB RADIO

### Dual DAB-P 210



IMPORTANT: Please read before using and retain for future reference.

## IMPORTANT NOTES

### INTRODUCTION

- Thank you for buying our product.
- Please read through these operating instructions, so you will know how to operate your equipment properly. After you finished reading the instructions manual, put it away in a safe place for future reference.

### WARNING

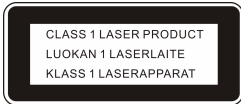
To prevent fire or shock hazard, do not expose this appliance to rain or moisture. To avoid electrical shock, do not open the cabinet; refer servicing to qualified personnel only.

### CAUTION

Use of controls or adjustment or performance of procedures other than those specified herein may result in hazardous radiation exposure.

### DANGER

Invisible laser radiation when open and interlock failed or defeated. Avoid direct exposure to beam.



This Compact Disc player is classified as a Class 1 LASER PRODUCT. THE CLASS 1 LASER PRODUCT label is located on the rear exterior.

**NOTE:** The manufacturer is not responsible for any radio or TV interference caused by unauthorized modifications could void the user's authority to operate the equipment.

- Avoid installing the unit in locations described below:
  1. Places exposed to direct sunlight or close to heat radiating appliance such as electric heaters, on top of other stereo equipment that radiate too much heat.
  2. Places locking ventilation or dusty places.
  3. Places subject to constant vibration.
  4. Humid or moist places.
- Operate turning controls and switches as instructed in manual.
- Before turning on the power for the first time, make sure that the power cord is properly installed.
- Store your tapes or CD in a cool area to avoid damage from heat.

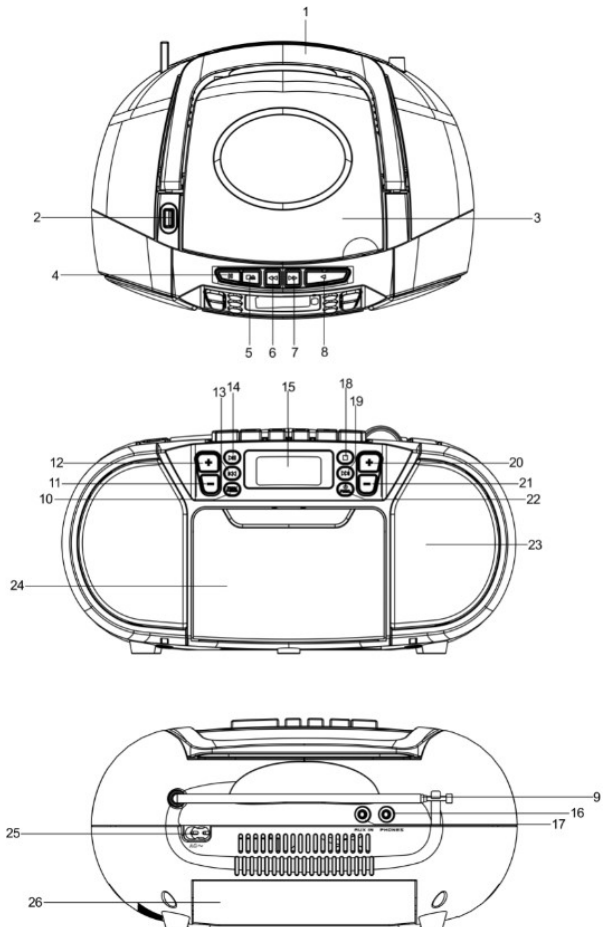
**CAUTION:** TO REDUCE THE RISK OF ELECTRIC SHOCK, DO NOT REMOVE COVER (OR BACK). NO USER SERVICEABLE PARTS INSIDE, REFER SERVICING TO QUALIFIED SERVICE PERSONNEL.

**WARNING:** Remove batteries if exhausted or if they will not be used again for a long period.

- The incorrect use of batteries can cause electrolyte leakage and will corrode the compartment or cause the batteries to burst, therefore:
- Do not mix battery types, e.g. alkaline with zinc carbonate.
- When inserting new batteries, replace all batteries at the same time.

## NAMES OF CONTROLS

1. FOLDING HANDLE
2. USB PORT
3. CD COMPARTMENT
4. CASSETTE PAUSE KEY
5. CASSETTE STOP/EJECT KEY
6. CASSETTE FAST FORWARD KEY
7. CASSETTE REWIND KEY
8. CASSETTE PLAY KEY
9. FM TELESCOPIC ANTENNA
10. PROG./P-MODE/MEM. BUTTON
11. FOLDER/10/M.- BUTTON
12. FOLDER/10/M.+ BUTTON
13. ⏪ BUTTON
14. ▶/SELECT BUTTON
15. LCD DISPLAY
16. PHONES JACK
17. AUX IN JACK
18. STOP/MENU/INFO BUTTON
19. ⏩ BUTTON
20. VOLUME + BUTTON
21. VOLUME - BUTTON
22. ⏻/FUNC. BUTTON
23. SPEAKERS
24. CASSETTE COMPARTMENT
25. AC SOCKET
26. BATTERY COMPARTMENT



## POWER SOURCE

This unit is designed to be operated on AC/DC.

### AC OPERATION

Plug the smaller end of AC power cord into AC jack on unit and the other bigger end into household AC wall outlet. The batteries will be automatically disconnected.

### DC OPERATION

Open the BATTERY COMPARTMENT DOOR. Install 6 pcs UM-1/D size batteries (not included) into compartment. Please follow correct polarities as indicated.

### CAUTION

- Remove batteries if they are exhausted or long time use.
- Batteries contain chemical substances, so they should be disposed of properly.

## BASIC FUNCTION

### SWITCHING ON THE UNIT

After connecting the power, press the **⏻/FUNC.** button to turn on the unit, then press the **⏻/FUNC.** button again to choose FM / TAPE / AUX / CD / USB or DAB mode. Press and hold the **⏻/FUNC.** button to turn off the unit.

**NOTE:** In CD/USB/MP3/AUX mode, when the unit is not providing the main function for 15 minutes, the unit will automatically switch into standby mode. In the tape mode, only the tape stops for 15 minutes, the unit will automatically switch into standby mode. To turn on the unit again, press the **⏻/FUNC.** button or replug the unit.

**ESD hints** – The product maybe reset or not reset to operation of control due to electrostatic discharge, just switch off and reconnect again.

### TO ADJUST VOLUME

Press **VOL.+/-** button to increase or decrease volume.

### HEADPHONE JACK

For private listening, connect a 3.5mm headphone (not included) to the HEADPHONE jack. The SPEAKER will be automatically disabled.

**CAUTION:** LISTENING AT A HIGH VOLUME OVER A LONG PERIOD IS NOT GOOD FOR YOUR EARS.

## FM OPERATION

### TUNING RADIO STATIONS

1. Press the **⏻/FUNC.** button to choose radio mode: FM mode.
2. Tune to the desired station by pressing **▶▶** or **◀◀** button, the station frequency will show on the display.
3. Press the **VOL.+/-** button to adjust the volume to a comfortable level.
4. To optimize reception when listening to stations on the FM band, extend the telescopic antenna to its full length. Gently move the unit back and forth to get the best reception when you are listening to FM program, or place the unit in an open place. When the stereo signal is received, the **ST** will show on the display.

### RADIO AUTO SCAN (SEARCH)

Press and hold the **▶/SELECT** button on unit, the unit will conduct auto scan and program until having found a strong signal. The unit will start to broadcast from the P01 after searching finished. Press the **FOLDER/10/M.+** or **FOLDER/10/M.-** button to choose the desired stored station.

### RADIO STATION MEMORY OPERATION

You may pre-store 30 (FM) radio stations in memory for your preference.

1. Press the the **▶▶** or **◀◀** button to select the first desired station. Then press and hold **PROG./P-MODE/MEM.** button on unit, **"Preset Store"** will show on the display.
2. Use **▶▶** or **◀◀** button to choose the desired sequence you want to store, then press the **▶/SELECT** button on unit to confirm.
3. Search another station, repeat steps (1) & (2) until all desired stations stored. Up to 30 stations can be programmed.
4. To choose between the stored stations, press the **FOLDER/10/M.+** or **FOLDER/10/M.-** button.

## DAB RADIO OPERATION

DAB radio mode receives DAB/DAB+ digital radio and displays information about the station and programmed/track as broadcast. Press the **⏻/FUNC.** button until display reads "Welcome to DAB".

### Scanning for stations

1. To do a full scan, press the **STOP/MENU/INFO** button to enter menu selection, select the "Full scan" option and press the **▶/SELECT** button on the unit to confirm. Once a full scan is complete, the radio returns to play the previously-selected station or first station on the station list.
2. To choose between the scanned station list, press the **◀** or **▶** button to scroll through the list of stations and press the **▶/SELECT** button to confirm. The Now playing screen will display the new station details.
3. To remove stations that are listed but unavailable, press the **STOP/MENU/INFO** button to enter menu selection, select the "Prune" option and press the **▶/SELECT** button to enter, press the **◀** or **▶** button to choose YES or NO option, then press the **▶/SELECT** button to confirm. This removes all invalid stations, indicated in the station list with a "?" in front of the station name.

### Preset stations

To store a station in a preset memory, tune to the station that you want to save as a preset, then press and hold the **PROG./P-MODE/MEM.** button on the unit until the display shows "Preset Store". Use the **◀** or **▶** button to choose a preset memory position (for example, "Preset 1"), then press the **▶/SELECT** button to confirm. Repeat this operation to save up to 30 preset stations.

### Manual tune

To do a manual tune, press the **STOP/MENU/INFO** button to enter menu selection, select the "Manual tune" option and press the **▶/SELECT** button to confirm. Use the **◀** or **▶** button to tune to the desired stations.

### Now playing information

While a station is playing, the screen shows its name and DLS (Dynamic Label Segment) information broadcast by the station such as program name, track title and contact details. To view further information, press and hold the **STOP/MENU/INFO** button each time to show next set of information, cycling through: DLS text, DL Plus information (this is only displayed if broadcast by the station), signal strength, program type, ensemble name, channel number/frequency, signal error rate and bit rate.

### Dynamic range compression (DRC)

This function helps to reduce the difference between the loudest and quietest audio being broadcast. Effectively, this makes quite sounds comparatively louder and loud sounds comparatively quieter. There are 2 options in this setting, the options available are: DRC high / DRC low / DRC off. To change the DRC setting, press the **STOP/MENU/INFO** button to enter menu selection, select the "DRC" option then use the **◀** or **▶** button to choose a desired option and press **▶/SELECT** button to confirm.

### System

The system setting allows you to select display languages, reset to factory settings and view the software version.

### Language

To select different languages for display messages. Press the **STOP/MENU/INFO** button to enter menu

selection, select the “System” option and press the ►/SELECT button to enter, select “Language” then press the ◀◀ or ▶▶ button to choose the desired language to be displayed, then press the ►/SELECT button to confirm.

### **Factory reset**

Factory reset can help to clear all user defined settings, replacing them with the original default values, including the DAB station list and preset stations. Press the **STOP/MENU/INFO** button to enter menu selection, select the “System” option and press the ►/SELECT button to enter, select “Factory reset” then press the ◀◀ or ▶▶ button to choose YES or NO option, then press the ►/SELECT button to confirm.

### **Software version**

This displays the current software version. Press the **STOP/MENU/INFO** button to enter menu selection, select the “System” option and press the ►/SELECT button to enter, select “SW version” then press the ►/SELECT button to view the current software version.

## **CASSETTE OPERATION**

### **UNDERSTANDING THE BUTTONS**

**PLAY** - Press to play cassettes.

**REWIND** - From stop mode, press to rewind the tape toward the beginning.

**F.FWD** - From stop mode, press to advance the tape toward the end.

**STOP/EJ.** - Press to stop current tape activity or to open the cassette compartment door when no buttons are active.

**PAUSE** - Press to interrupt tape play. Press the second time to resume tape play.

### **PLAYING A CASSETTE TAPE**

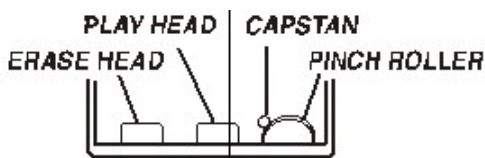
1. Press the ⏻/FUNC. button to Choose TAPE mode.
2. Press STOP/EJ. Key to open the cassette compartment door.
3. Insert cassette tape into the compartment with the open edge facing up and the full reel on the right.
4. Close the door securely.
5. Press REWIND or F.FWD to move tape to the desired starting point.
6. Press PLAY key to begin playing the tape.
7. Adjust the volume to your desired listening level.

### **AUTOMATIC STOP FEATURE**

The cassette deck is operating in play mode when the end of the tape is reached, the unit automatically shuts itself off and returns all buttons to the off position.

### **CARE OF CASSETTE MECHANISM**

Gently clean the tape head and pinch wheel/capstan assemblies after every 10 hours of using the unit. A range of cassette care products are available.



The erase head and play head and the surface of the pinch roller are delicate and must not be touched with metal objects such as screwdrivers. You may find it easier to clean the assembly by pressing the PLAY button to bright head and pinch roller into view. Be sure to press the STOP button after cleaning the mechanism.

Damage to the pinch wheel can occur if the unit is left in PLAY mode with the power switch off. Under no circumstances should you attempt to lubricate any part of the machine.

## CD/MP3 OPERATION

### Discs for Playback

This system can playback all digital audio CD, MP3 finalized digital audio CD-Recordable (CD-R) discs, finalized digital audio CD-Rewritable (CD-RW) discs and CD-DA format digital audio CD/CD-R/CD-RW discs.

### LOADING A DISC

1. Press the **⏏/FUNC.** button to choose CD mode.
2. Open the CD door. " **OPEN** " will be shown on the display.
3. Place an audio CD into the tray with the label side facing up.
4. Close the CD door. The total number of tracks will appear on the display after reading finished.
5. To remove the CD, press **STOP/MENU/INFO** button and open CD compartment lid, grasp the CD by its edges, and carefully take it out.

#### Note:

1. To ensure good system performance; wait until the disc tray completely reads the disc before proceeding.
2. If no disc is loaded into the compartment, or the disc is placed upside down, the display will show **NO DISC**.

### PLAYING A DISC

1. After loading the disc, the unit starts playback automatically.
2. To interrupt playback, press the **▶/SELECT** button. The "current playing time" indicator will flash on the display.
3. To resume playback, press the **▶/SELECT** button again.
4. To stop playback, press the **STOP/MENU/INFO** button, the total number of tracks appears on the display.

## SELECTING A DESIRED TRACK/PASSAGE

### To select a desired track

- Press the **▶▶** or **◀◀** button repeatedly in stop mode or during play until the desired track appears on the display.
- Release the **▶▶** or **◀◀** button, playback automatically.

### To search for a particular passage during playback (track scanning at high speed)

Press and hold the **▶▶** or **◀◀** button to scan the current playing track at high speed until desired passage appears, and then release the button. Playback will start again from this point.

### To select a song which track number exceeds 10 (for MP3 disc only)

To select a song track which number exceeds 10, press the **FOLDER/10/M.+** or **FOLDER/10/M.-** button

each time to skip forward/backward 10 tracks, then press the ►► or ◀◀ button to select desired track.

**To Select A Desired Folder** (for MP3 disc only, if the MP3 disc contains more than one folder)

To skip to the desired folder during playback, press and hold the **FOLDER/10/M.+** or **FOLDER/10/M.-** button for about 2 seconds to skip to next/previous folder.

## PROGRAM TRACKS

Programming tracks of disc are possible when playback is stopped. Up to CD 20 tracks /MP3 99 tracks can be stored in the memory in any order.

1. In stop mode, press the **PROG./P-MODE/MEM.** button, the “**F-000**” will flash and the **P01** indicator will be on. Press the **FOLDER/10/M.+** or **FOLDER/10/M.-** button to choose the desired folder you want to program
2. Press the **PROG./P-MODE/MEM.** button to enter, then “**T-000**” will flash. Press the ►► or ◀◀ button to select the first desired track to be programmed.
3. Press the **PROG./P-MODE/MEM.** button to enter. The display changes to show **P02**.
4. Repeat steps 1 to 3 to store other desired tracks until all tracks are programmed.
5. Press the ►/SELECT button to start playback from the first programmed track, press the ►► or ◀◀ button to select the programmed tracks.
6. Press the **STOP/MENU/INFO** button to stop program playback.

### To Erase the Memory (Program)

To clear the program, you have two options:

1. Press the **STOP/MENU/INFO** button when the disc is stopped, and
2. Open the CD compartment lid, program will be erased.

**NOTE:** If there are several folders in the USB or MP3 disc, it is necessary to program folders first and then the tracks. Press the **FOLDER/10/M.+** or **FOLDER/10/M.-** button to select the first folder you want to program. After that, press ►► or ◀◀ button to choose the first desired track to be programmed, press the **PROG./P-MODE/MEM.** button to enter. The display changes to show **P02**.

## REPEAT

### To Repeat a Single Track

1. Press the **PROG./P-MODE/MEM.** button once in play mode, “**REP-1**” will show steady on the display. The current track will be played repeatedly until the STOP button is pressed.
2. To cancel Repeat function, press the **PROG./P-MODE/MEM.** button until the “**REP-1**” disappear on the LCD display.

### To repeat all the Tracks

1. Press **PROG./P-MODE/MEM.** button in play mode till the “**REP-ALL**” shows steady on the display, all tracks on the disc will be played repeatedly until the STOP button is pressed.
2. To cancel Repeat function, press the **PROG./P-MODE/MEM.** button until the “**REP-ALL**” disappear on the LCD display.

### To repeat current folder (for MP3 only)

1. Press **PROG./P-MODE/MEM.** button in play mode, till the “**REP-ALBUM**” shows steady on the display, the current folder will be played repeatedly until the STOP button is pressed.
2. To cancel Repeat function, press the **PROG./P-MODE/MEM.** button until the “**REP-ALBUM**” disappear on the LCD display.



## RANDOM PLAY

Press the **PROG./P-MODE/MEM.** button in play mode till the “**RANDOM**” shows steady on the display, the random play will start immediately until all tracks are played over and then stop. Press the **PROG./P-MODE/MEM.** button until the “**RANDOM**” disappear from the LCD display to cancel.

## INTRO

Press the **PROG./P-MODE/MEM.** button on unit in play mode till the “**INTRO**” shows steadily on the display, the intro play will start and scan 10 seconds for every track. To cancel intro play, press the **PROG./P-MODE/MEM.** button until “**INTRO**” disappear from the display.

## USB OPERATION

1. Press the **⏏/FUNC.** button to choose USB mode.
2. Connect the USB to the USB INPUT. The LCD will show the total number of tracks and folders stored in the USB. After reading the USB, the unit will start playback automatically.
3. Press the **STOP/MENU/INFO** button on unit to stop playing. The display will show total number of USB and folders and STOP.
4. Proceed repeat play (repeat 1- repeat folder - repeat all – RANDOM - INTRO) / program play / skip up and back operation as the same described in above “CD/MP3 OPERATION”.

### CAUTION:

- Do not use any USB extension cable for connecting the USB bar which may cause harmful interference

## AUX IN OPERATION

This unit provides a 3.5mm AUX IN jack, through this jack other audio sources can be connected to this unit and be amplified.

1. Press the **⏏/FUNC.** button to choose AUX mode.
2. Connect the audio cable into the AUX IN jack and the other end connects to the AUDIO OUT jack of the external audio source. The unit will change to AUX mode automatically.
3. Adjust the volume of the main unit to your desired level.
4. Press PLAY of the external audio source (eg. MP3 player) to start playback.

## **SPECIFICATIONS**

### **GENERAL**

Power Requirement	AC 100-240V ~ 50/60Hz DC 9V UM-1/D x 6 PCS
Power consumption	15 Watts
Weight	Approx. 1.6kg
Dimensions	Approx. 285mm (W) x 213mm (D) x 140mm (H)
Operation temperature	+5 °C – +35 °C

### **RECEIVER SECTION**

FM Frequency Range	87.5– 108 MHz
DAB+ Frequency Range	174.928-239.200MHz

### **COMPACT DISC SECTION**

Optical Pickup	3 – Beam Laser
Frequency Response	100Hz – 16KH z

### **CASSETTE SECTION**

Bias System	DC Bias
Frequency Response	125 – 4 K H z
Wow and Flutter	0.4% WRMS

### **AUDIO SECTION**

Power output	Maximum 1.5 Watts x 2
--------------	-----------------------

### **ACCESSORIES**

Instruction Booklet	1
AC Cord	1