

2-WAY SPEAKER GTx 662 ES

Removable tweeter | 165 mm/ 6,6" | 220 watts max. power



Subject to availability and technical modification.

Highlights

Start of sales
Spring 2019

Order number
2 003 017 123 458

EAN- Code
4 260 499 850 067

- Versatile usage: It's a 2-way coaxial speaker or 2-way component system
- Variable mounting possibilities with external tweeter
- 165 mm/ 6,6" diameter
- 220 watts maximum power handling
- 45 watts nominal power handling
- Injected PP- membrane (glossy black)
- Extended pole design (EXP)
- Gold plated connectors
- High-quality design grille
- Installation depth only 55,55 mm/ 2,19"
- Accessories: including design grille, cables, mounting material, installation instructions

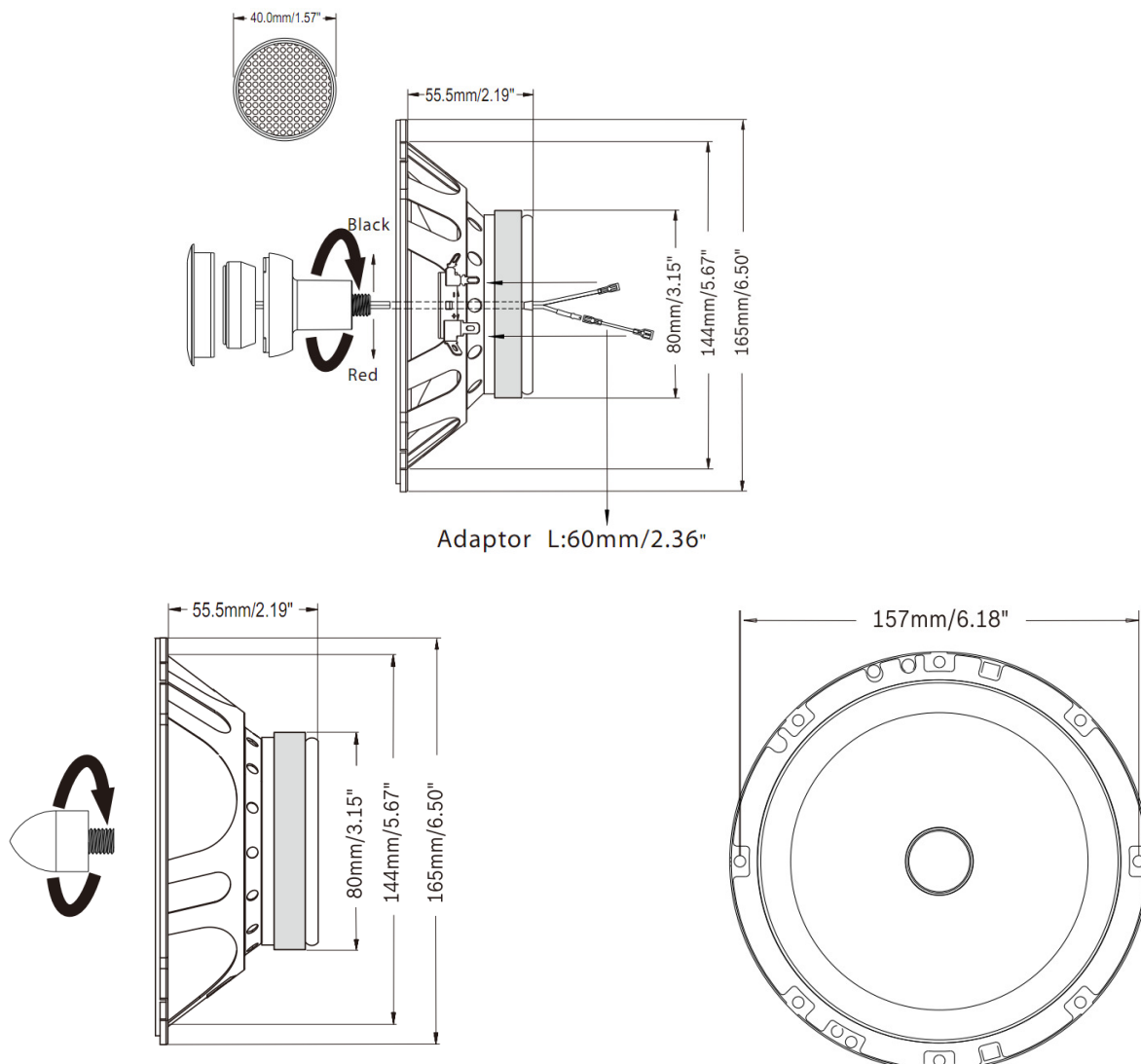
2-WAY SPEAKER GTx 662 ES

Removable tweeter | 165 mm/ 6,6" | 220 watts max. power

2/5

Technical data:

- | | |
|------------------------------|---|
| • System | variable: 2-way coaxial or 2-way components |
| • Diameter | 165 mm/ 6,6" |
| • Maximal power handling | 220 watts |
| • Nominal power handling | 45 watts |
| • Nominal impedance | 4 ohms |
| • Frequency response | 55- 22.000 Hz |
| • Efficiency (2,83V/1 m) | 92 dB |
| • Cone material | Injected PP membrane |
| • Basket material | Steel, crinkle black |
| • Connectors | 2,8/ 4,8 mm, gold plated |
| • Installation depth | 55,5 mm/ 2,19" |
| • Diameter installation hole | 144 mm/ 5,67" |
| • Accessories | Design grille, cables, mounting material, installation instructions |



2-WAY SPEAKER **GTx 662 ES**

Removable tweeter | 165 mm/ 6,6" | 220 watts max. power

3/5

Ways to use GTx 662 ES (all needed parts included)



Coaxial system



2-way component system with external tweeter



2-way component system with external tweeter



2-way component system with external tweeter



2-WAY SPEAKER **GTx 662 ES**

Removable tweeter | 165 mm/ 6,6" | 220 watts max. power

4/5

Overview of GTx ES Series 2019



100mm/4"

GTx 402 ES

Peak power handling	140 watts
RMS power handling	30 watts
Impedance	4 ohms
Frequency response	90- 20.000 Hz
Sensitivity	90 dB (2.83 V/ m)



130mm/ 5,4"

GTx 542 ES

Peak power handling	180 watts
RMS power handling	40 watts
Impedance	4 ohms
Frequency response	70- 20.000 Hz
Sensitivity	91 dB (2.83 V/ m)



165mm/ 6.6"

GTx 662 ES

Peak power handling	220 watts
RMS power handling	45 watts
Impedance	4 ohms
Frequency response	55- 22.000 Hz
Sensitivity	92 dB (2.83 V/ m)



165mm/ 6.6"

GTx 663 ES

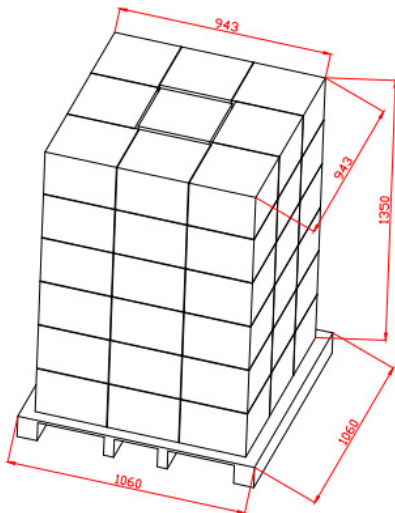
Peak power handling	240 watts
RMS power handling	50 watts
Impedance	4 ohms
Frequency response	40- 22.000 Hz
Sensitivity	93 dB (2.83 V/ m)

2-WAY SPEAKER GTx 662 ES

Removable tweeter | 165 mm/ 6,6" | 220 watts max. power

5/5

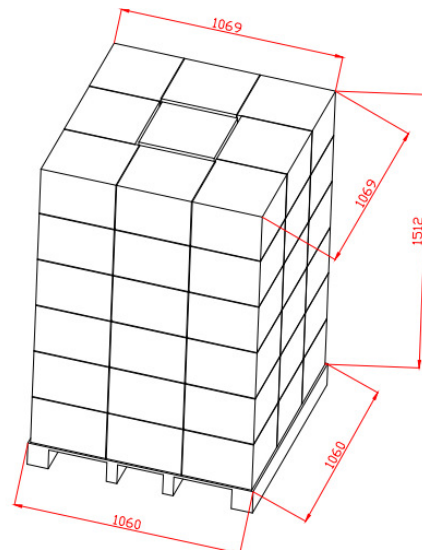
Logistics data



GTx 402 ES

9 cartons per each layer, 6 layers totally
6PRS per each carton (12PCS)
324PRS totally (648PCS)

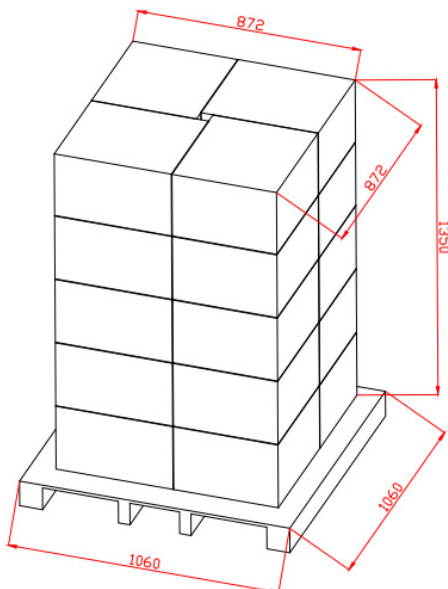
QTY: 6 PRS
N.W.: 5.5 KGS
G.W.: 10 KGS
CTN: 321X301X225mm



GTx 542 ES

9 cartons per each layer, 6 layers totally
6PRS per each carton (12PCS)
324PRS totally (648PCS)

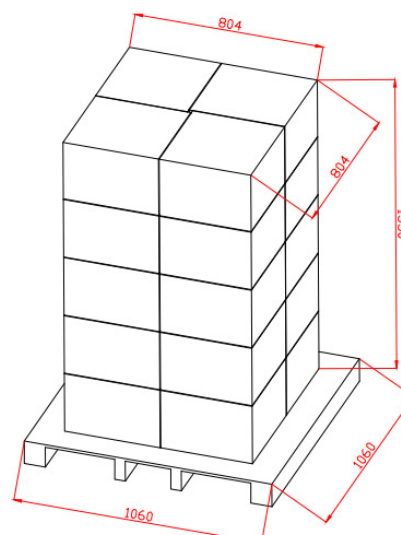
QTY: 6 PRS
N.W.: 6.6 KGS
G.W.: 11 KGS
CTN: 362X345X252mm



GTx 662 ES

4 cartons per each layer, 5 layers totally
6PRS per each carton (12PCS)
120PRS totally (240PCS)

QTY: 6 PRS
N.W.: 8.5 KGS
G.W.: 16 KGS
CTN: 460X412X270mm



GTx 663 ES

4 cartons per each layer, 5 layers totally
6PRS per each carton (12PCS)
120PRS totally (240PCS)

QTY: 6 PRS
N.W.: 8.5 KGS
G.W.: 13.5 KGS
CTN: 410X394X270mm