

2-WAY SPEAKER GTx 402 ES

100 mm/ 4" | 140 watts max. power



140 W

100 mm
4"

90
dB (SPL)

EXP
Extended Pole Design



4Ω

Subject to availability and technical modification.

Start of sales

Spring 2019

Order number

2 003 017 123 456

EAN- Code

4 260 499 850 043

Highlights

- 2-way coaxial speaker
- 100 mm/ 4" diameter
- 140 watts maximum power handling
- 30 watts nominal power handling
- Injected PP- membrane (glossy black)
- Extended pole design (EXP)
- Gold plated connectors
- High-quality design grille
- Installation depth only 39,5 mm/ 1,56"
- Accessories: including design grille, cables, mounting material, installation instructions

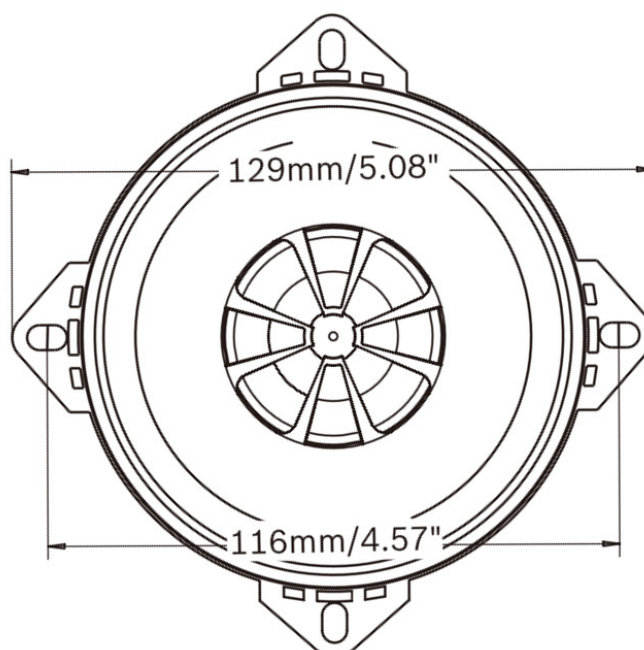
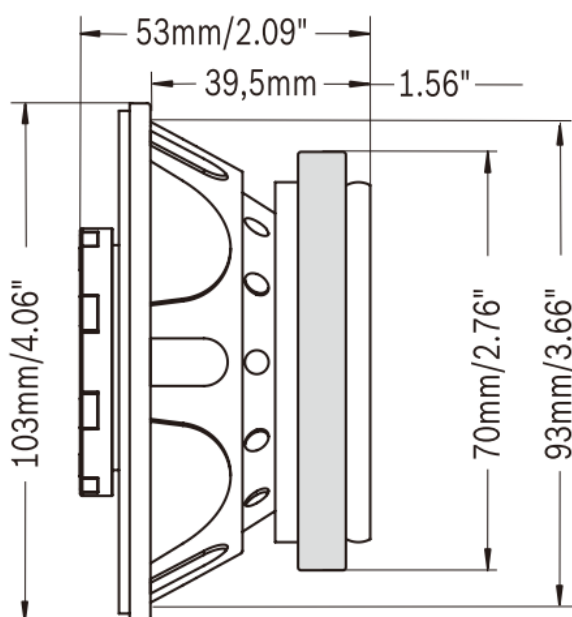
2-WAY SPEAKER GTx 402 ES

100 mm/ 4" | 140 watts max. power

2/4

Technical data:

- System 2-way coaxial
- Diameter 100 mm/ 4"
- Maximal power handling 140 watts
- Nominal power handling 30 watts
- Nominal impedance 4 ohms
- Frequency response 90- 20.000 Hz
- Efficiency (2,83V/1 m) 90 dB
- Cone material Injected PP membrane
- Basket material Steel, crinkle black
- Connectors 2,8/ 4,8 mm, gold plated
- Installation depth 39,5 mm/ 1,56"
- Diameter installation hole 93 mm/ 3,66"
- Accessories Design grille, cables, mounting material, installation instructions



2-WAY SPEAKER **GTx 402 ES**

100 mm/ 4" | 140 watts max. power

3/4

The GTx ES Series 2019



100mm/4"

GTx 402 ES

Peak power handling	140 watts
RMS power handling	30 watts
Impedance	4 ohms
Frequency response	90- 20.000 Hz
Sensitivity	90 dB (2.83 V/ m)



130mm/ 5,4"

GTx 542 ES

Peak power handling	180 watts
RMS power handling	40 watts
Impedance	4 ohms
Frequency response	70- 20.000 Hz
Sensitivity	91 dB (2.83 V/ m)



165mm/ 6.6"

GTx 662 ES

Peak power handling	220 watts
RMS power handling	45 watts
Impedance	4 ohms
Frequency response	55- 22.000 Hz
Sensitivity	92 dB (2.83 V/ m)



165mm/ 6.6"

GTx 663 ES

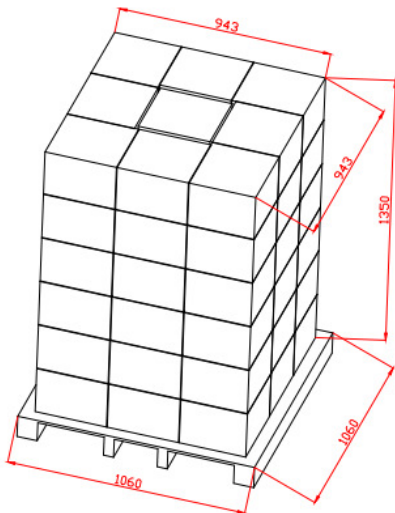
Peak power handling	240 watts
RMS power handling	50 watts
Impedance	4 ohms
Frequency response	40- 22.000 Hz
Sensitivity	93 dB (2.83 V/ m)

2-WAY SPEAKER GTx 402 ES

100 mm/ 4" | 140 watts max. power

4/4

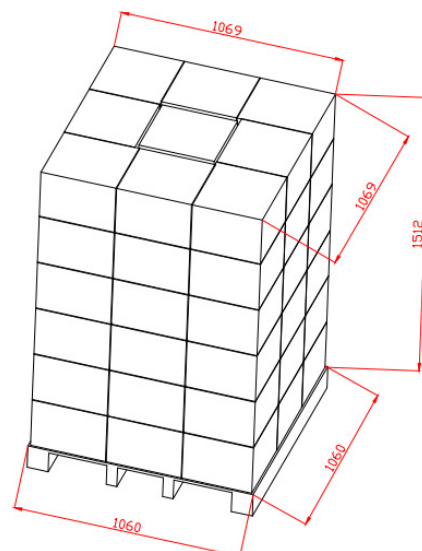
Logistics data



GTx 402 ES

9 cartons per each layer, 6 layers totally
6PRS per each carton (12PCS)
324PRS totally (648PCS)

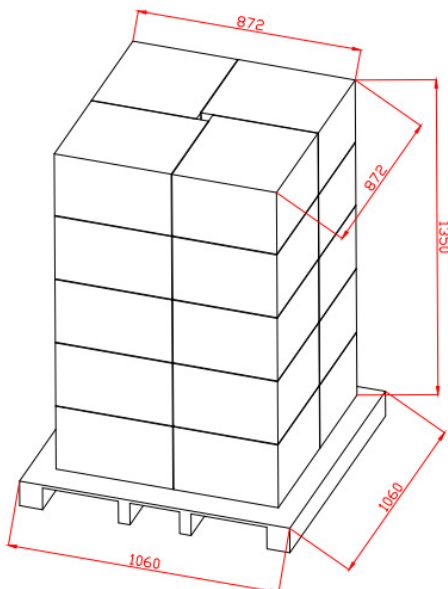
QTY: 6 PRS
N.W.: 5.5 KGS
G.W.: 10 KGS
CTN: 321X301X225mm



GTx 542 ES

9 cartons per each layer, 6 layers totally
6PRS per each carton (12PCS)
324PRS totally (648PCS)

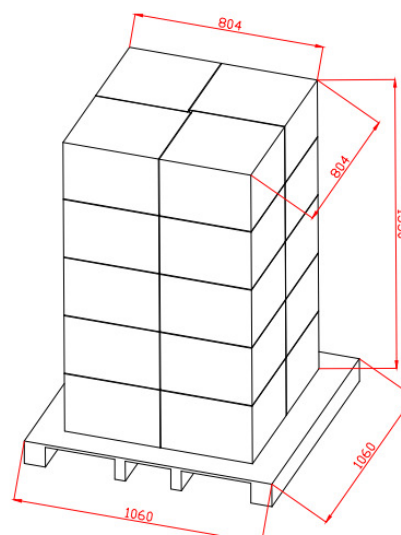
QTY: 6 PRS
N.W.: 6.6 KGS
G.W.: 11 KGS
CTN: 362X345X252mm



GTx 662 ES

4 cartons per each layer, 5 layers totally
6PRS per each carton (12PCS)
120PRS totally (240PCS)

QTY: 6 PRS
N.W.: 8.5 KGS
G.W.: 16 KGS
CTN: 460X412X270mm



GTx 663 ES

4 cartons per each layer, 5 layers totally
6PRS per each carton (12PCS)
120PRS totally (240PCS)

QTY: 6 PRS
N.W.: 8.5 KGS
G.W.: 13.5 KGS
CTN: 410X394X270mm