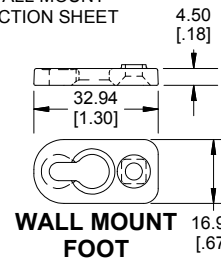
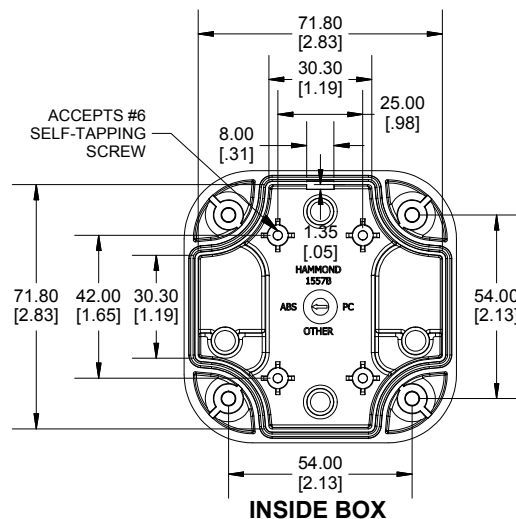
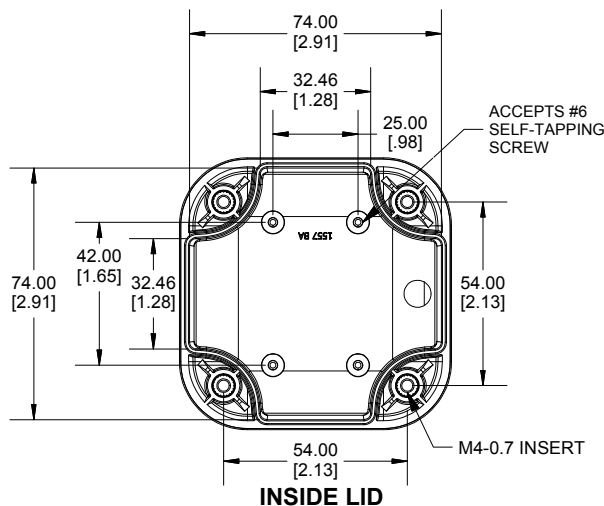
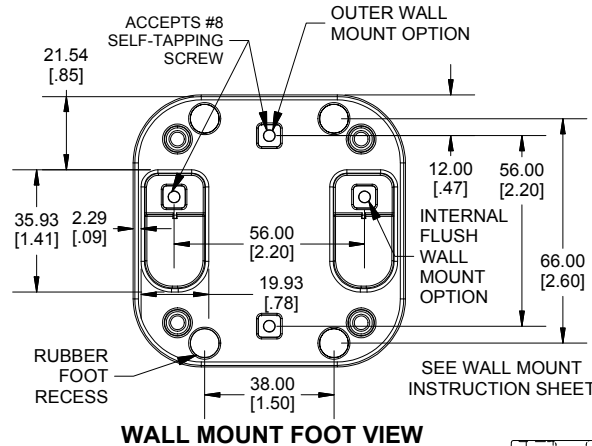
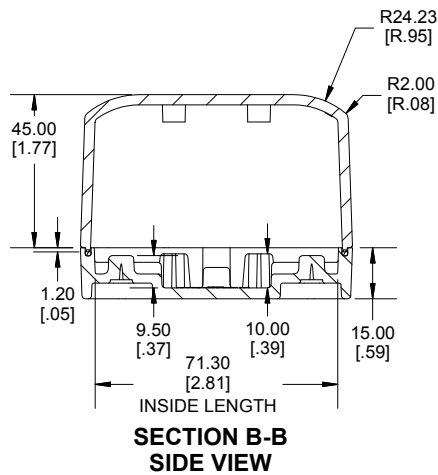


POLYCARBONATE  
VERSION ONLY

**UL** US LISTED  
FILE #E65324  
TYPE 4,4X,6,6P



Enclosures can be Factory Modified (Milling, Drilling, Printing etc.)  
Contact Factory (modshop@hammondmfg.com) for quotes  
Solid models of this enclosure available in .stp or .x\_t.  
(Part number and text placement/orientation on our products are subject to change,  
we do not recommend using them as a locating reference for modification purposes)

**NOTE**

Purchased assembly includes box, lid, 4 cover screws, preformed silicone gasket, 4 rubber feet, 2 wall mount foot screws, and 2 wall mount feet.  
General Purpose ABS version is not UL approved. (Matl UL94 - HB)  
Polycarbonate version is UL 508A approved. (Matl UL94 - 5VA @ 3mm)

**Recommended Cover Screw Torque - 71-85 ozf-in ( 50-60 cN-m)**

| 1557  |                           |                |
|---|---------------------------|----------------|
| 1557BA Enclosure  |                           |                |
| General Purpose ABS Black Enclosure                                     |                           | 1557BABK       |
| General Purpose ABS Grey Enclosure                                      |                           | 1557BAGY       |
| Polycarbonate Black Enclosure   |                           | 1557BA2BK      |
| Polycarbonate Grey Enclosure  |                           | 1557BA2GY      |
| ACCESSORIES   |                           |                |
| Silicone Pre-formed Gasket Black (Pkg 2)                                |                           | 1557BGASKET    |
| Clear Rubber Feet (Pkg 24)  |                           | 1421T6CL       |
| Stainless Steel Cover Screws [M4-0.7 X20mm] (Pkg 50)                    |                           | SC576-50       |
| Steel P.C.Board Screw [#6 X 1/4" Self Tapping] (Pkg 50)                 |                           | SC526-50       |
| Stainless Steel Wall Mount foot Screw [#8 X 3/8" Self Tapping] (Pkg 50) |                           | SC556-50       |
| Wall Mout Foot Kit [wall mount foot ] (Pkg 24)                          | General Purpose ABS Grey  | 1557FOOTGY-24  |
| #8 X 3/8" Self Tapping] (Pkg 24)  | General Purpose ABS Black | 1557FOOTBK-24  |
|   | POLYCARBONATE Grey        | 1557FOOT2GY-24 |
|   | POLYCARBONATE Black       | 1557FOOT2BK-24 |

Dimensions:  
mm  
[inches]

**HAMMOND  
MANUFACTURING**

**1557BA**

www.hammondmfg.com