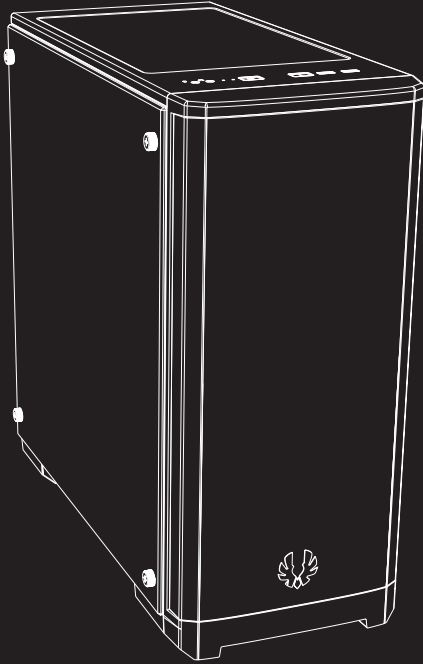
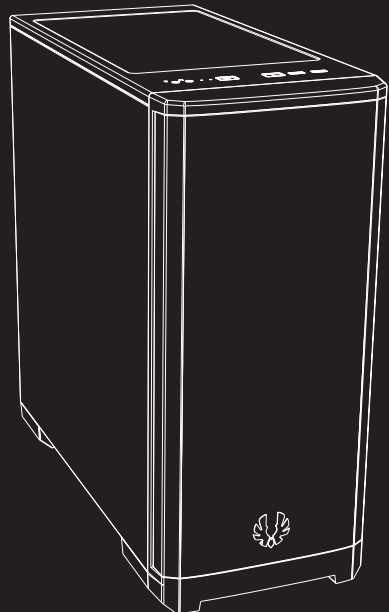


NOVA
MESH



Quick Installation
Guide

NOVA
MESH



NOVA MESH TG Package Content:

- ➔ NOVA MESH TG Case
- ➔ NOVA MESH TG Quick Installation Guide
- ➔ Accessory Pack

3x Motherboard standoff-M3 #6-32 L3mm

8x 3.5'HDD screw-6#-32*5BM

4x HDD tray fasten screw-#6-32*L12MM

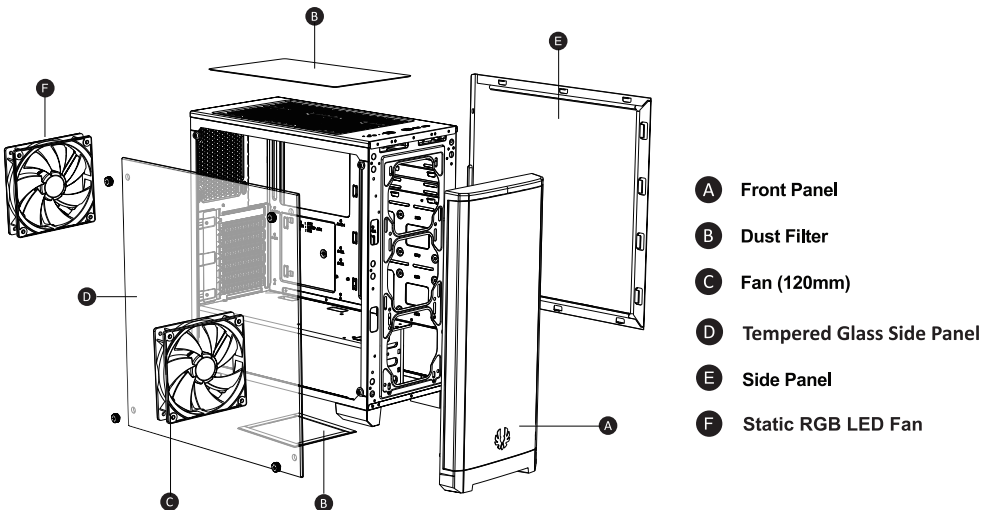
6x PSU Screw Hex-#6-32*5*7.5

22x Motherboard Standard Screw- PWM M3*5*7.5

6x Cable tie- 2.5mm x 150mm

1x Speaker

1x Tempered Glass Standard Thumbscrews-#6-32*10



NOVA MESH Package Content:

- ➔ **NOVA MESH Case**
- ➔ **NOVA MESH Quick Installation Guide**
- ➔ **Accessory Pack**

3x Motherboard standoff-M3 #6-32 L3mm

8x 3.5'HDD screw-6#-32*5BM

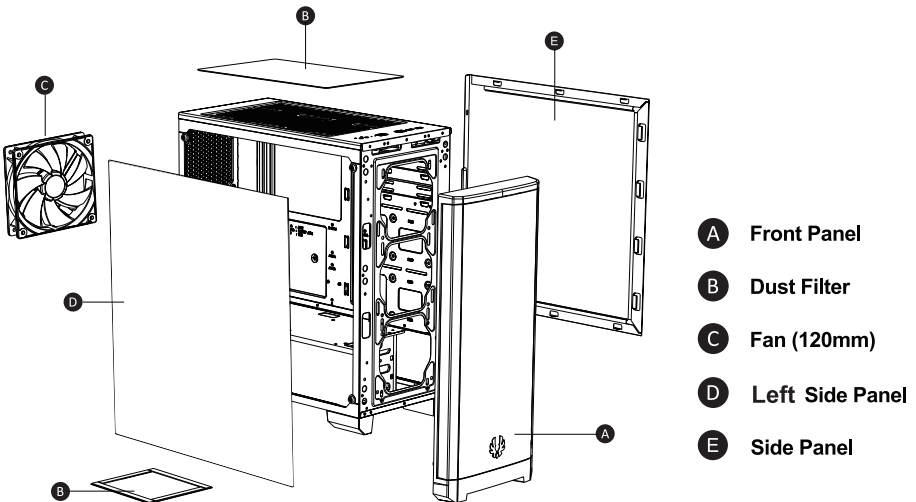
4x HDD tray fasten screw-#6-32*L12MM

6x PSU Screw Hex-#6-32*5*7.5

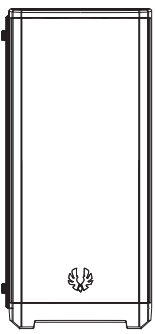
22x Motherboard Standard Screw- PWM M3*5*7.5

6x Cable tie- 2.5mm x 150mm

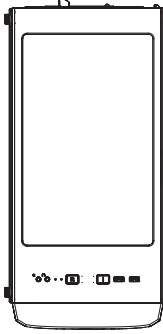
1x Speaker



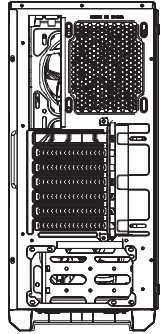
NOVA MESH TG



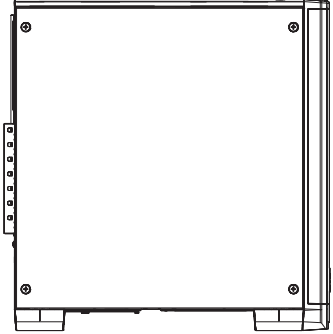
Front



Top



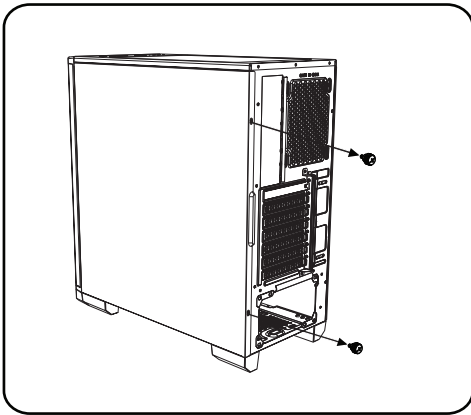
Back



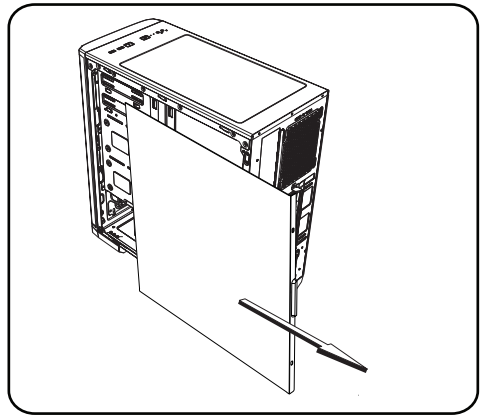
Side

Basic Installation

How to remove the right side panel

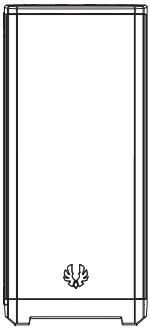


Remove both thumb screws

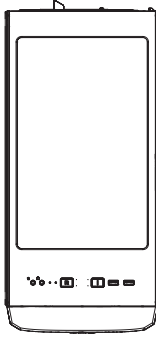


Slide the side panels towards the back of the case

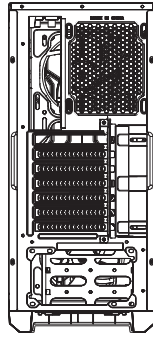
NOVA MESH



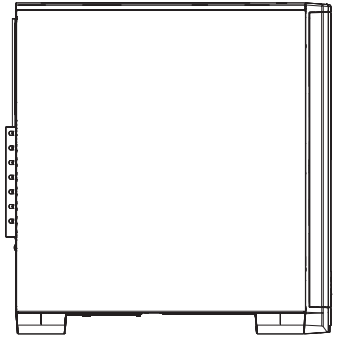
Front



Top



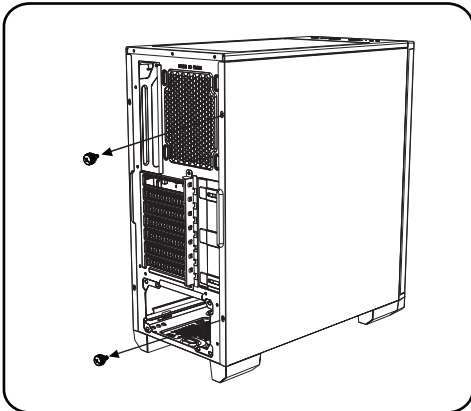
Back



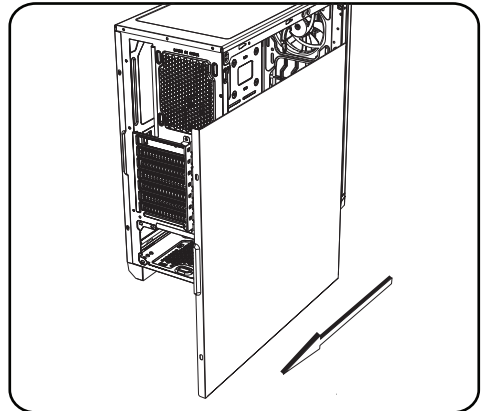
Side

Basic Installation

How to remove the right side panel

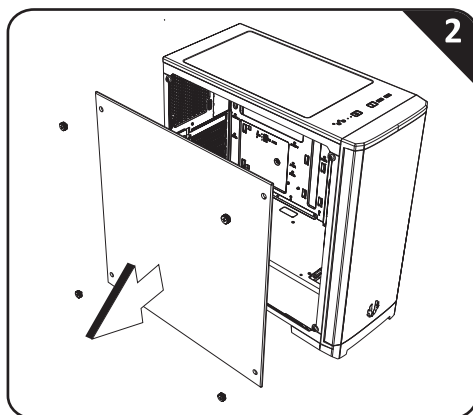
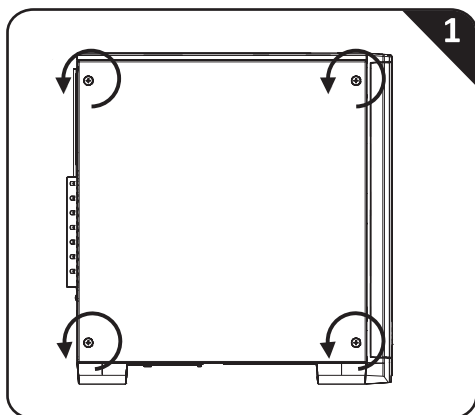


Remove both thumb screws

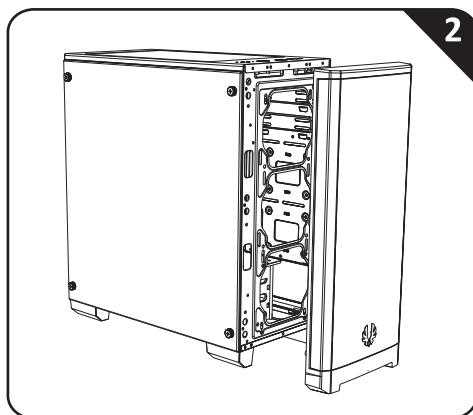
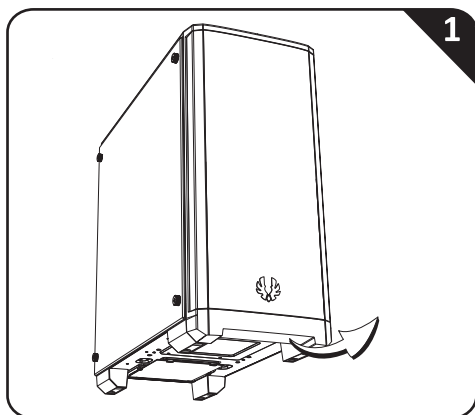


Slide the side panels towards the back of the case

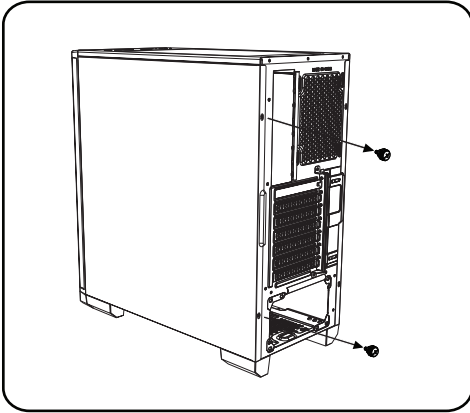
How to remove the tempered glass side panel



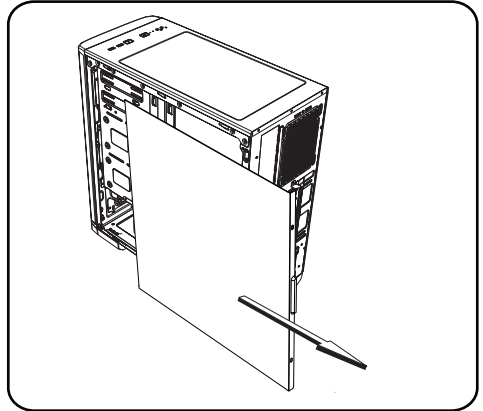
How to remove the front panel



How to remove the side panel

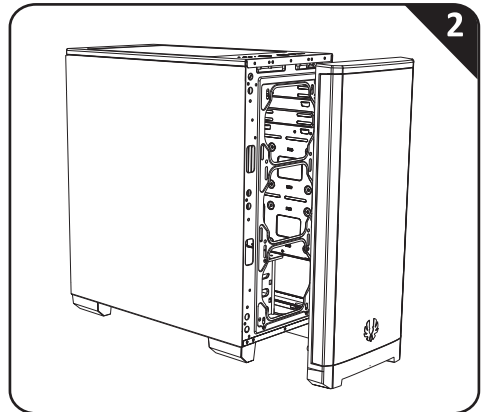
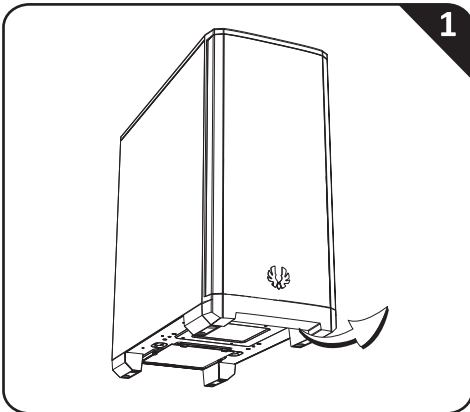


Remove both thumb screws



Slide the side panels towards the back of the case

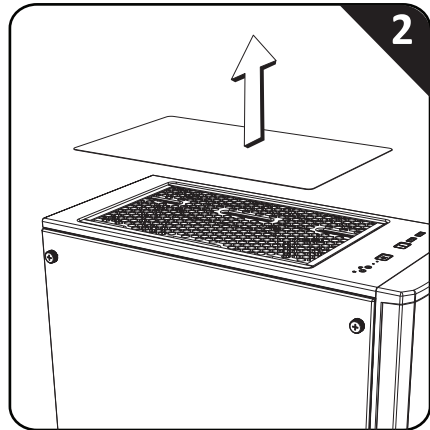
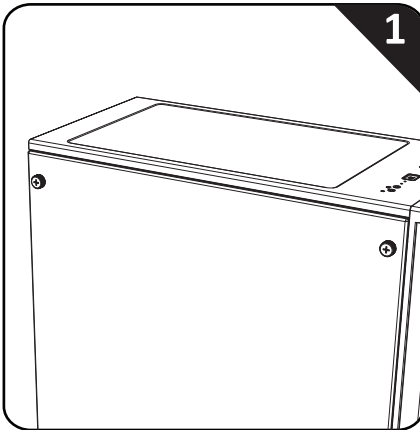
How to remove the front panel



How to remove the dust filters

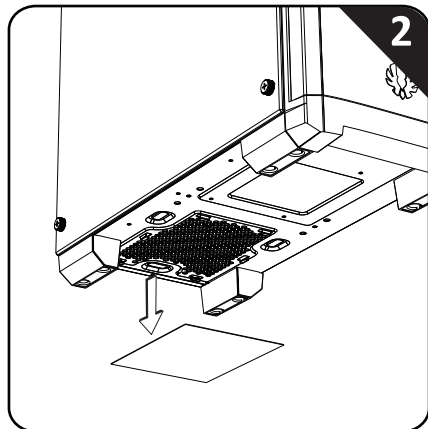
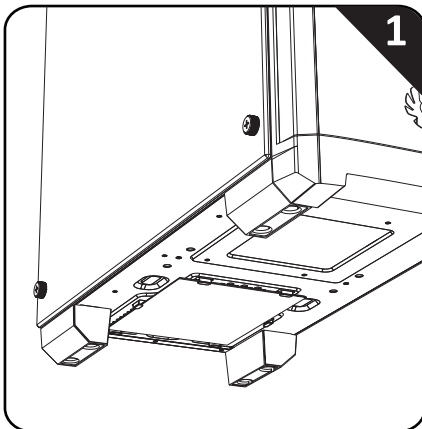
Top Filter

Pull off the magnetic dust filter

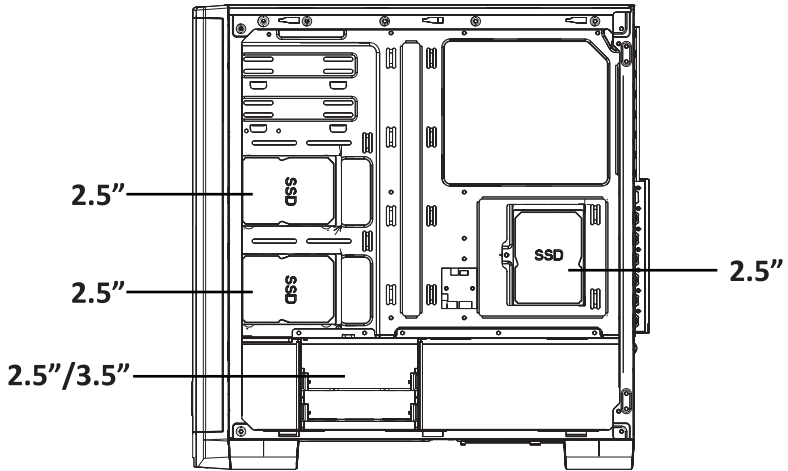


PSU Filter

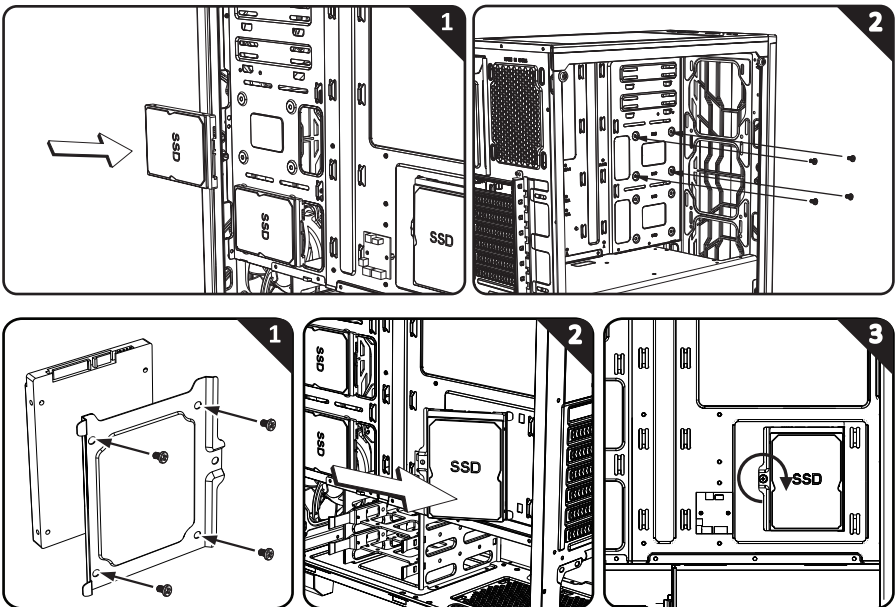
Pull out the PSU filter from the side of the feet



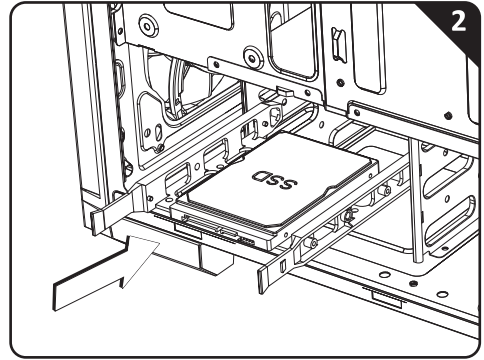
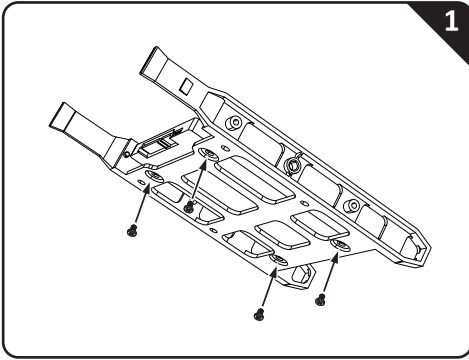
Drive Locations



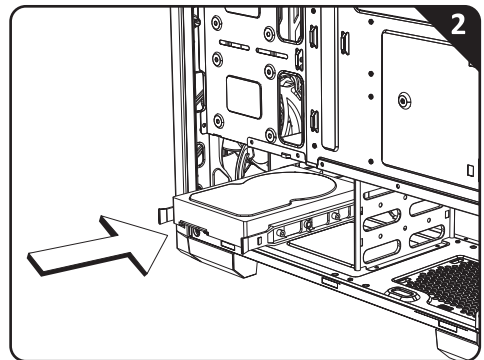
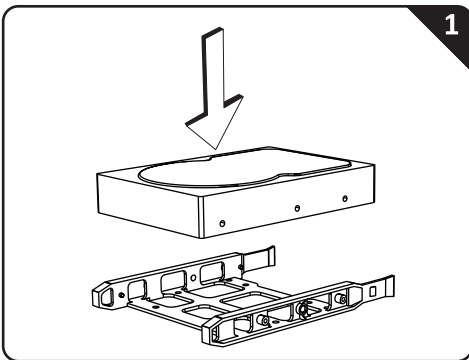
Installing 2.5" Drives



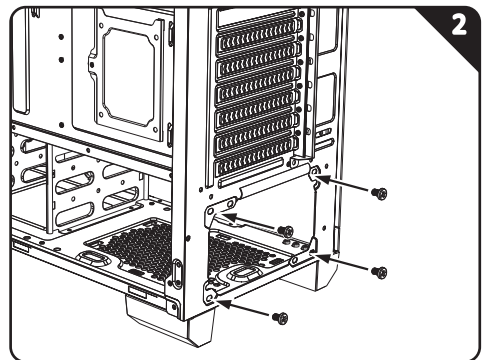
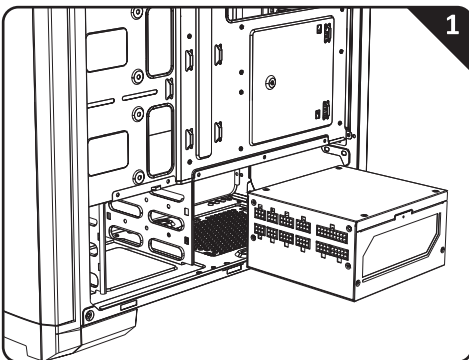
Installing 2.5" Drives



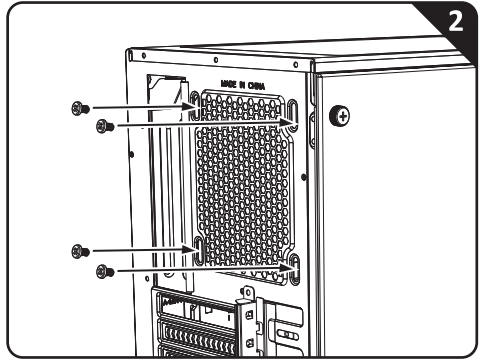
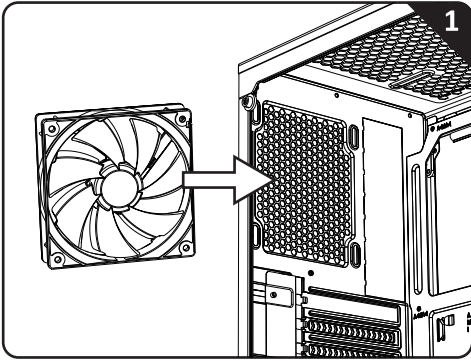
Installing 3.5" Drives



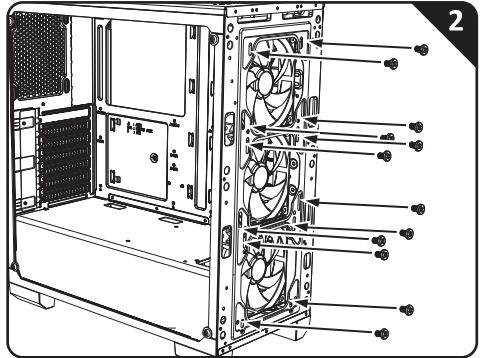
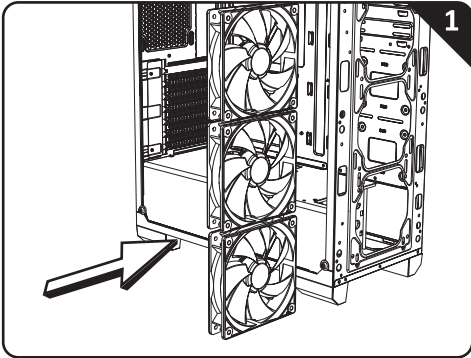
PSU Installation



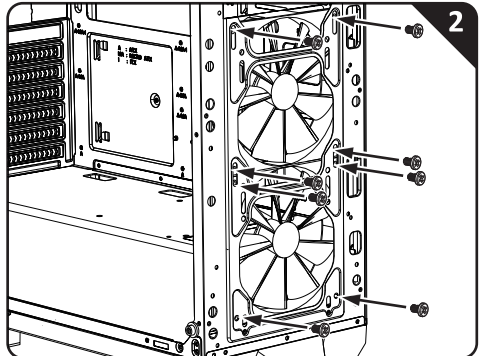
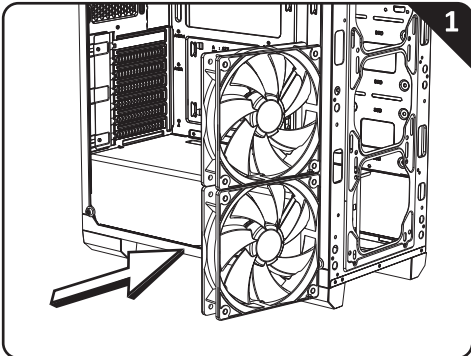
Back Fan Installation (120mm)



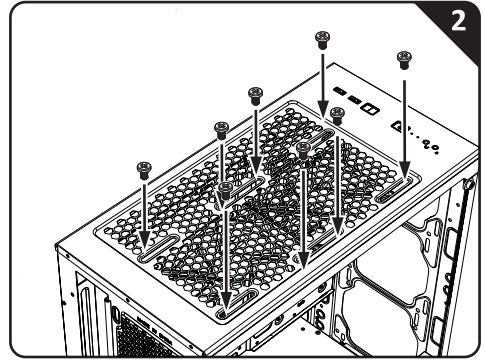
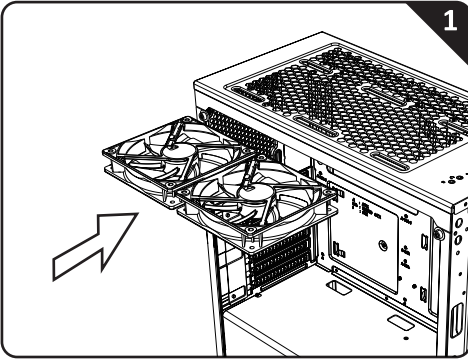
Front Fan Installation (120mm)



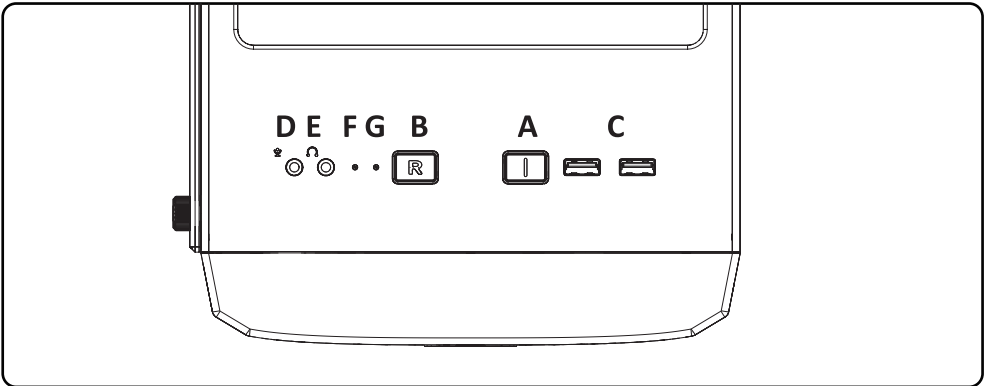
Front Fan Installation (140mm)



Top Fan Installation (120mm)



Control Panel



A. Power Button

B. Reset Button

C. USB3.0 Port

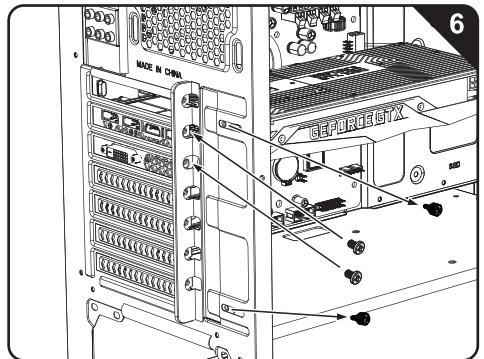
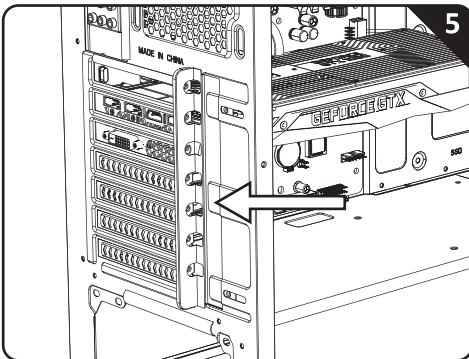
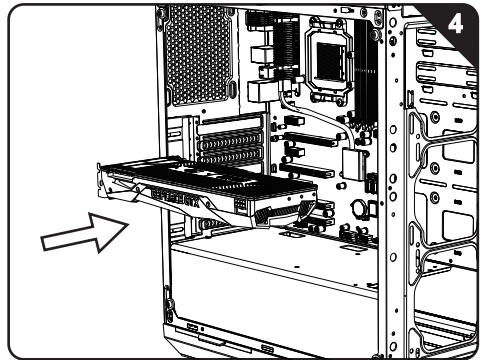
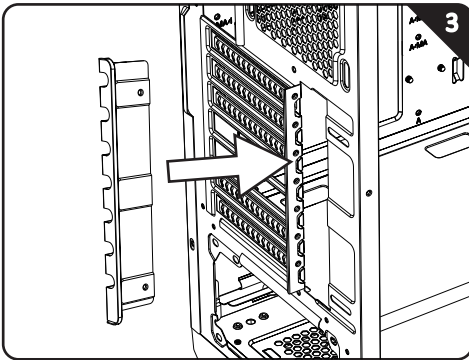
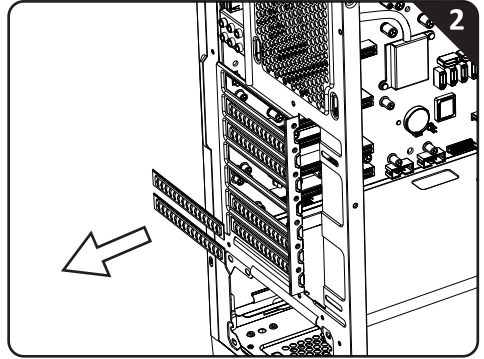
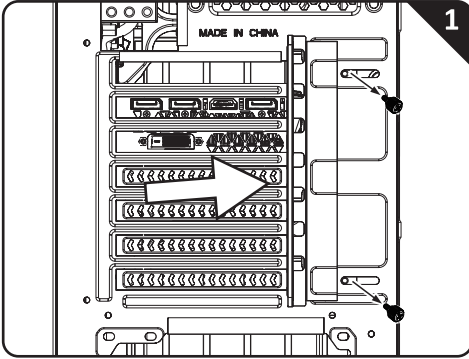
D. Microphone Jack

E. Headphone Jack

F. HDD LED

G. Power LED

VGA Card Installation



BE INVINCIBLE

WWW.BITFENIX.COM



BitFenix Co., Ltd.

3F, No.79, Sec. 1, Xintai 5th Rd.,

BITFENIX Xi Zhi District, New Taipei City, Taiwan, R.O.C.

©2019 BITFENIX Co., Ltd. All Rights Reserved. All trademarks are registered to their respective owners

For the most updated information, please visit our official website : <http://www.bitfenix.com> Ver 1.0 | 2019/05