



Industrial 5-Port Gigabit Switch



User Manual - DN-651107

Introduction

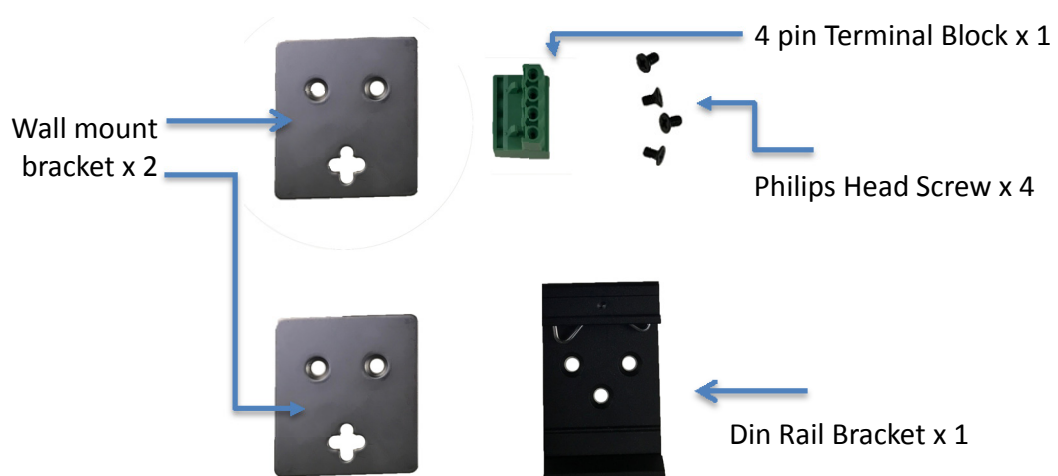
This hardened industrial 5 port Gigabit Ethernet Switch is equipped with wide range VAC and VDC power input. It is suitable for heavy usage environments such as hazardous environments or central control areas where a reliable device is critical. It is an ideal solution for Industrial Automation, IP surveillance, traffic monitoring and a wide range of applications. It has been rigorously tested for your security, transportation and telco applications.

Features

- Hardened design Aluminum enclosure
103.5 x 32 x 81.5 mm (L x W x D)
- Supports 18-36VAC/12-60VDC
- Surge protection diodes on power input.
- ESD protection diodes on RJ-45 port
- Provides increased Noise Immunity
- Extended environment specification -40°C to 75°C

Installation package

This unit can be din-rail mounted or wall-mounted. Din-rail brackets and wall-mounted brackets are included.



Package Content:

- 1x Main unit
- 1x User Manual
- 2x Wall Mount Bracket
- 1x DIN Rail Bracket
- 1x 4 pin Terminal Block
- 4x Screws

Power connection

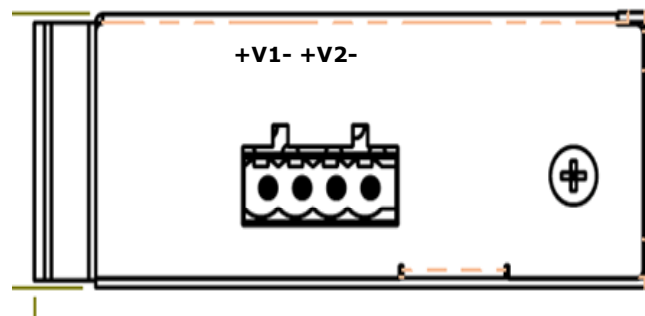
This unit provides a 4 pin terminal block. It can be operated using 12-56VDC/18-36VAC power source. Always make sure your input voltage is within this supported voltage range.

To connect power: This unit supports two power inputs. Follow the printed polarity for +V1-, +V2- and ground. Connect positive wires to V+, connect negative wires to V-, and connect a neutral wire to the ground screw.

+V1- is for power input one connection.

+V2- is for power input two connection.

Power connecting procedure:



- **STEP 1** – Take out 4 pin terminal block located in the included mounting kit package.
- **STEP 2** – Connect power wires to +V1- or +V2- with corresponding polarity. Connect the grounding wire to the ground screw.
- **STEP 3** – Plug into terminal block socket shown above. Polarity needs to match V+ and V-.

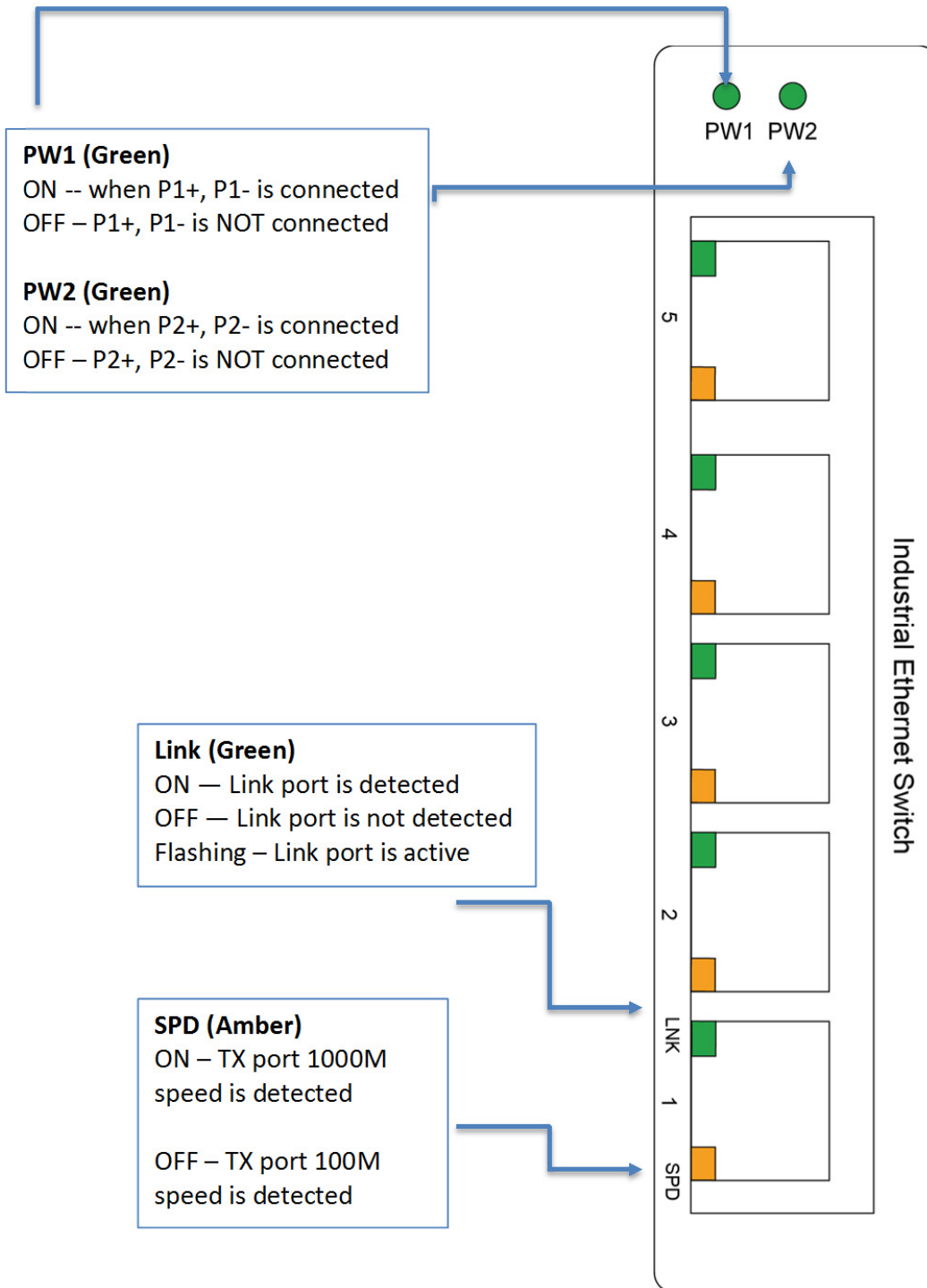
WARNING:

Always SHUT OFF power source to connect power wire.

WARNING:

Any exceeded input voltage will not make this unit function and may damage this unit.

LED indicator



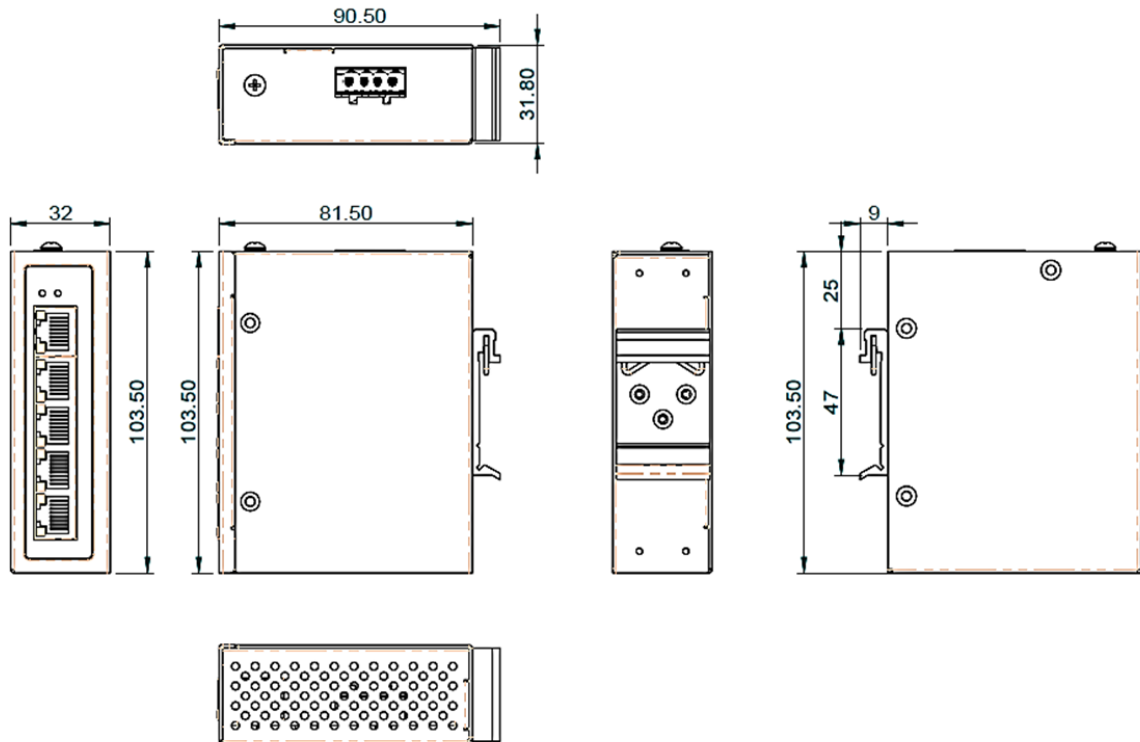
Specifications

IEEE Standard	IEEE 802.3 10Base-T Ethernet IEEE 802.3u 100Base-TX Fast Ethernet IEEE 802.3ab 1000Base-T Gigabit Ethernet IEEE802.3x Flow Control and Back Pressure
Switch Architecture	Back-plane (Switching Fabric): 10Gbps
Data Processing	Store and Forward
Flow Control	IEEE 802.3x Flow Control and Back Pressure
Jumbo Frame	9KB
MAC address Table Size	8K
Packet Buffer Size	1M
Network Connector	5xRJ-45 10/100/1000BaseT(X) auto negotiation, Auto MDI/MDI-X function, Full/Half duplex
Network Cable	UTP/STP above Cat.5e Cable
	EIA/TIA-568 10-ohm (100m)
Protocol	CSMA/CD
LED	PW1 (Green): ON – Power is detected PW2 (Green): ON – Power is detected
	TX/RJ-45 port: LNK (Green): TX port is detected Flashing – TX data is transmitting/receiving SPD (Amber): ON – 1000M speed

	OFF – 10/100M speed
Reverse polarity protection	Present
Overload current protection	Present
Power Supply	Redundant Dual Power Input 12VDC-56VDC or 18VAC-36VAC
Power Consumption	2.76W@48 VDC full load
Removable Terminal Block	Provide 2 Redundant power, 4 Pin Wire range: 0.34mm ² to 2.5mm ² Solid wire (AWG): 12-24/14-22 Stranded wire(AWG): 12-24/14-22 Torque: 5lb-In/0.5Nm/0.56Nm Wire Strip length: 7-8mm

Operating Temperature	-40°C to 75°C
Operating Humidity	5% to 95% (Non-condensing)
Storage Temperature	-40°C to 85°C
MTBF (mean time between failure)	>500,000 hrs (MIL-HDBK-217F) at 25°C
Housing	Rugged Aluminum, IP30 protection
Case Dimension (L x W x D)	103.5 x 32 x 81.5 mm (L x W x D)
Installation mounting	DIN Rail and Wall Mount options included

Housing Dimension (mm)



This is a Class A product. In home environment, this product may cause radio interference. In this case, the user may be required to take appropriate measures.

Hereby Assmann Electronic GmbH, declares that the Declaration of Conformity is part of the shipping content. If the Declaration of Conformity is missing, you can request it by post under the below mentioned manufacturer address.

www.assmann.com
Assmann Electronic GmbH
Auf dem Schüffel 3
58513 Lüdenscheid
Germany

