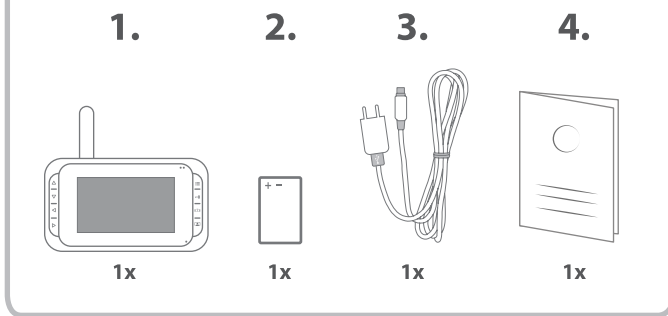
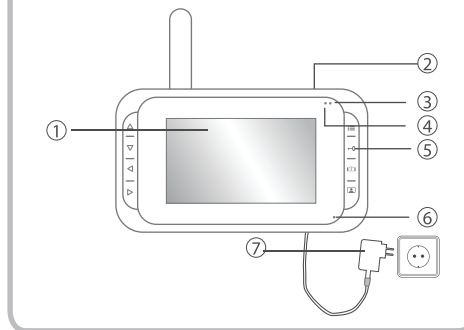


2. PARTS DESCRIPTION

2.1 BOX CONTENT

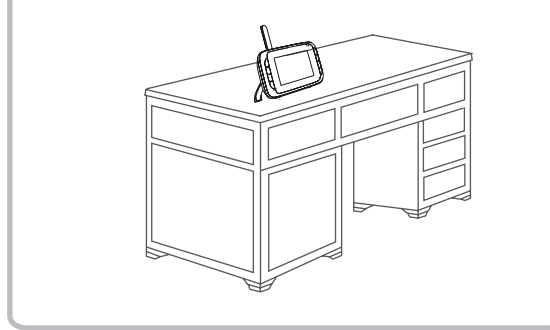


2.2.1 INDOOR UNIT (MONITOR)

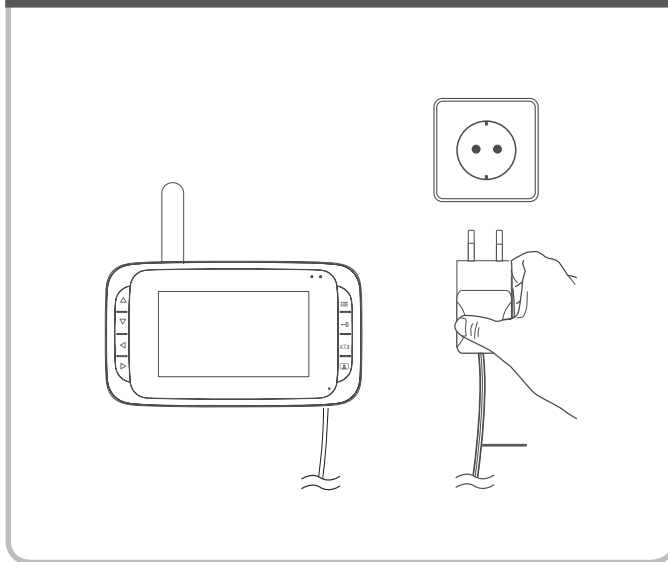


3. INSTALLATION

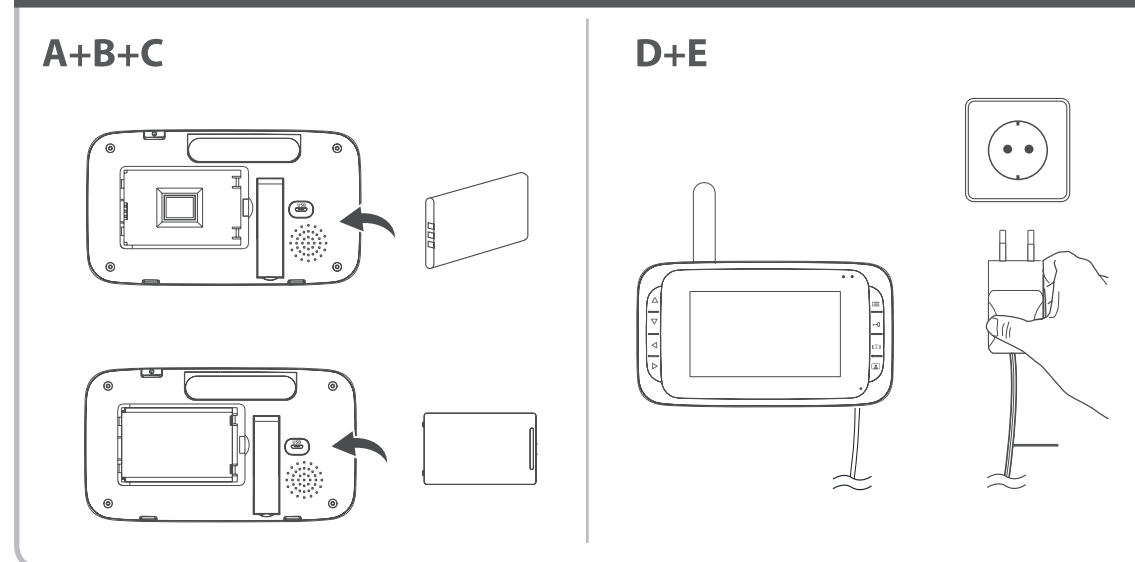
3.1 PLACING THE INDOOR UNIT (MONITOR)



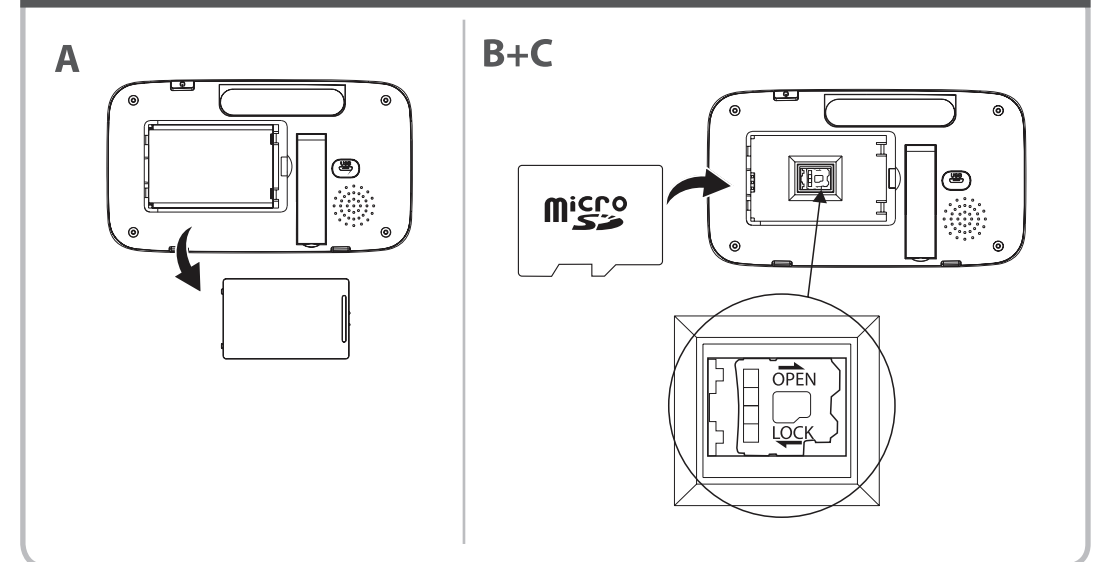
3.2.1 CONNECTING AC POWER TO THE INDOOR UNIT



3.2.2 INSTALLING AND CHARGING THE INDOOR UNIT (MONITOR) BATTERY



3.2.3 INSTALLING A MICROSD CARD (NOT INCLUDED)



4. BASIC FUNCTIONS

4.1 CONTROL BUTTONS

4.2 SCREEN ICONS

4.3 SETTINGS MENU

4.4 ANSWERING A CALL

4.5 PAIRING THE INDOOR UNIT(MONITOR) AS REPLACEMENT FOR EXISTING INDOOR UNIT

A+B **C** **D+E+F** **G**

4.5 PAIRING AS AN ADDITIONAL INDOOR UNIT (MONITOR)

B **E**

4.6 IMAGE SETTING

4.7 VOLUME CONTROL

4.8 RINGTONE SETTING

4.9 PLAY BACK MENU

4.10 RECORDING VIDEOS/PHOTOS

4.11 TIME SETTING

4.12 UNLOCK TIME SETTING