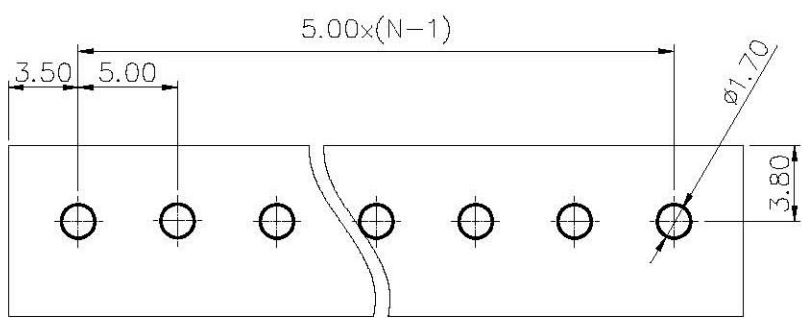
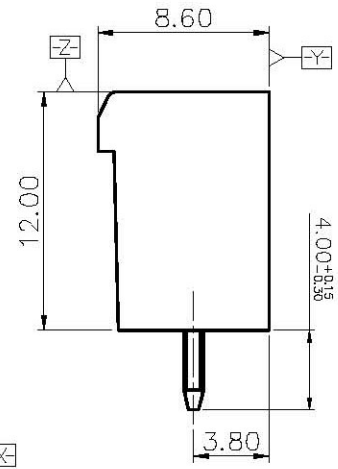
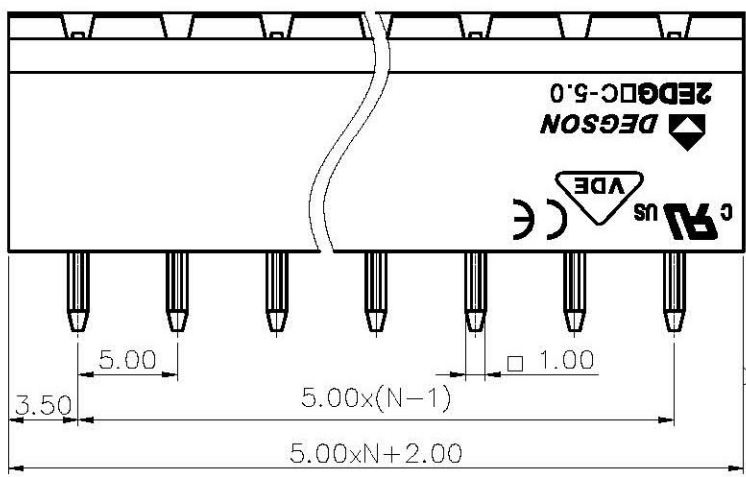
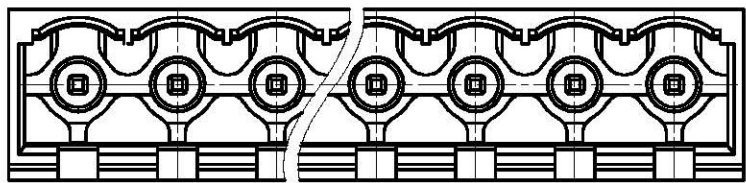


REVISION RECORD				
REV	ECN	DESCRIPTION	DRFT	DATE



NOTES1:  
 UL Standard  
 1. Rated voltage/current : 300V / 15A  
 2. Withstanding voltage : AC1600V/1Min.

IEC Standard

1.

Pollution degree	2
Overvoltage category	III
Rate impulse voltage(KV)	4.0KV
Rate voltage(V)	320V
Rate current(A)	20A

NOTES2:  
 1. Dimension shall be interpreted per ASME Y14.5-2009  
 2. Pitch : 5.00mm, Poles : N=02~24P  
 3. Operating temperature: -40°C~+105°C  
 4. Undimensioned tolerances:

Pitch range in mm		Nominal dimension range in mm				0.1/10
To	Over	To	Over	To	Over	
6	10	30	60	100	150	±2'
±0.15	±0.20	±0.30	±0.50	±0.70	±1.00	
±0.20	±0.30	±0.50	±0.70	±1.00	±1.30	

5. RoHS Compliance

ITEM	NAME OF PART	MATERIAL	NOTES
2	Pin	Copper alloy	Sn Plated
1	Housing	PA66	UL94V-0

DETACHED LISTS	PART NO:	<b>DEGSON</b> 宁波德松电子有限公司 NINGBO DEGSON ELECTRICAL CO., LTD			
	APPD:	NAME: 2EDGVC-5.0-XXP-1Y-100A(H)			
	CHKD:	TITLE: CUSTOMER DRAWING			
	DRFT: COCO 2011.04.18	REV: T4	DRAWING NO.: 2EDGVC-5.0-C16		SHEET: 1/1
THIRD ANGLE PROJECTION		DO NOT SCALE DRAWING		SCALE: 1:1	