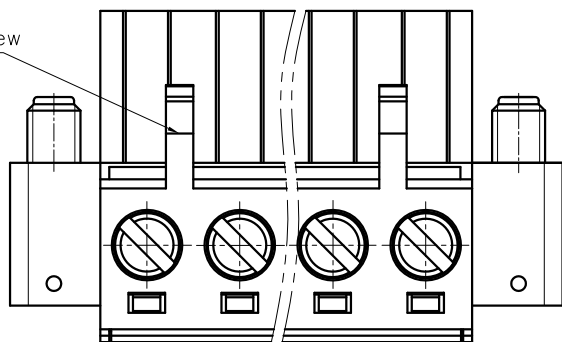


REVISION RECORD				
REV	ECN	DESCRIPTION	DRFT	DATE

02P: Clasp on the right from this view



NOTES1:

UL Standard

1. Rated voltage/current : 300V / 15A
2. Withstanding voltage : AC1600V/1Min.
3. Torque value : M3 , 4.43Lb.in
4. Wire range : 28~12AWG

IEC Standard

1. Pollution Degree	2
Overvoltage Category	III
Rate Impulse Voltage(KV)	4.0KV
Rate Voltage(V)	320V
Rate Current(A)	20A

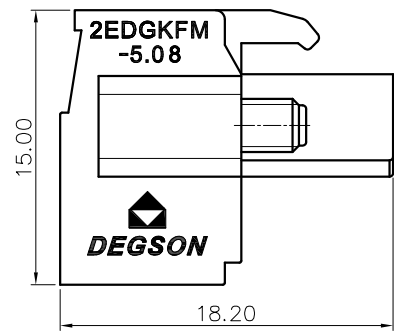
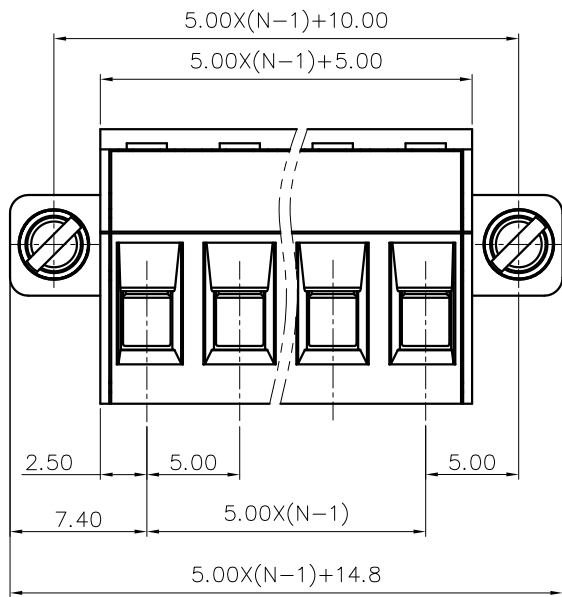
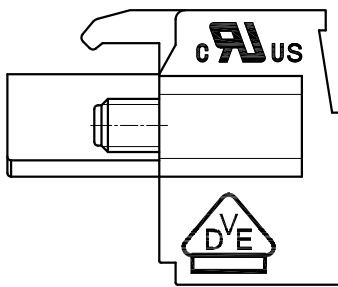
2. Torque value : M3 , 0.5N·m
3. Wire range : 0.2~2.5mm²

NOTES2:

1. Dimension shall be interpreted per ASME Y14.5-2009
2. Pitch : 5.0mm, Poles : N=02~20P
3. Stripping length : 7~8mm
4. Operating temperature: -40°C~+105°C
5. Undimensioned tolerances:

Pitch range in mm		Nominal dimension range in mm					- / □	
To	Over	Over	To	Over	Over	Over	0.1/10	
6	10	10	24	30	60	100		
±0.15	±0.20	±0.30	±0.30	±0.50	±0.70	±1.00	±1.30	±2'

6. RoHS Compliance



2EDGKFM - 5.0 - XXP - 1Y - 1000A (H)
 (Series No.) (Pitch) (Poles) (Single Pitch) (RoHS)
 -1000A-(Standard)
 (Color): 1.(Grey) 2.(Blue) 3.(Black) 4.(Green) 5.(Orange)
 6.(Red) 7.(Transparent) 8.(Yellow) 9.(White)

DETACHED LISTS	PART NO.:	NINGBO DEGSON ELECTRICAL CO., LTD		
	APPD:	NAME: 2EDGKFM-5.0-XXP-1Y-1000A(H)		
	CHKD:	TITLE: CUSTOMER DRAWING		
	DRFT:	DRAWING NO.:		REV
THIRD ANGLE PROJECTION		MM (INCH)	DO NOT SCALE DRAWING	SCALE
			SHEET	1/1
			SCALE	1:1