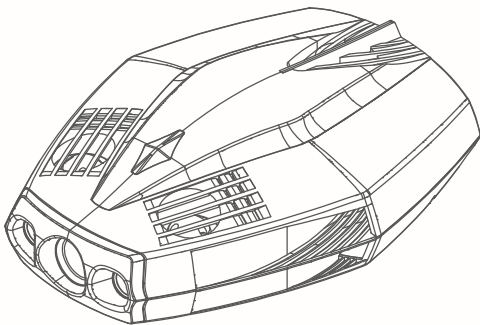


CHASING DORY

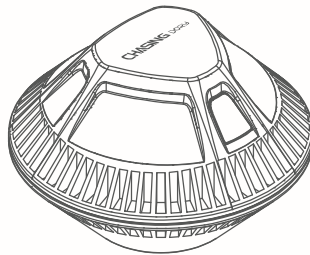
Quick Start Guide V1.0

- This quick start guide only covers basic operations and precautions.
- To learn more, please visit <https://www.chasing.com>.

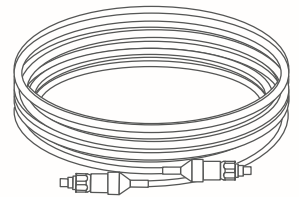
Main Components



Drone



Wi-Fi Buoy



15m Tether

Installation & Connection

1 Download CHASING DORY APP

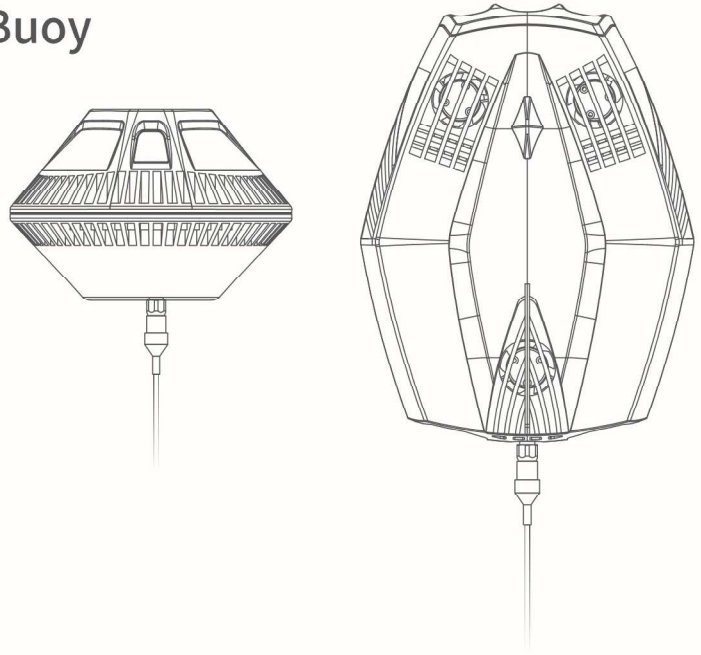
Scan QR code or visit iOS app store /
Google Play to download.
(iOS 9.0 / Android 5.0 and above)



2 Connect Drone and Wi-Fi Buoy

Insert one end of the tether into the drone and the other end into the Wi-Fi buoy. Securely hand-tighten both coupling bolts.

- Note:** Check the O-rings on the tether connectors. If they are missing or damaged, please replace them. Make sure the tether connectors are dry before connecting.



3 Booting Up

Once the Dory and the Wi-Fi buoy are connected, the LED lights on the drone will flash and you will hear two self-test sounds. A flashing green light will indicate that both the Dory and Wi-Fi buoy are powered on.

4 Wi-Fi Connection

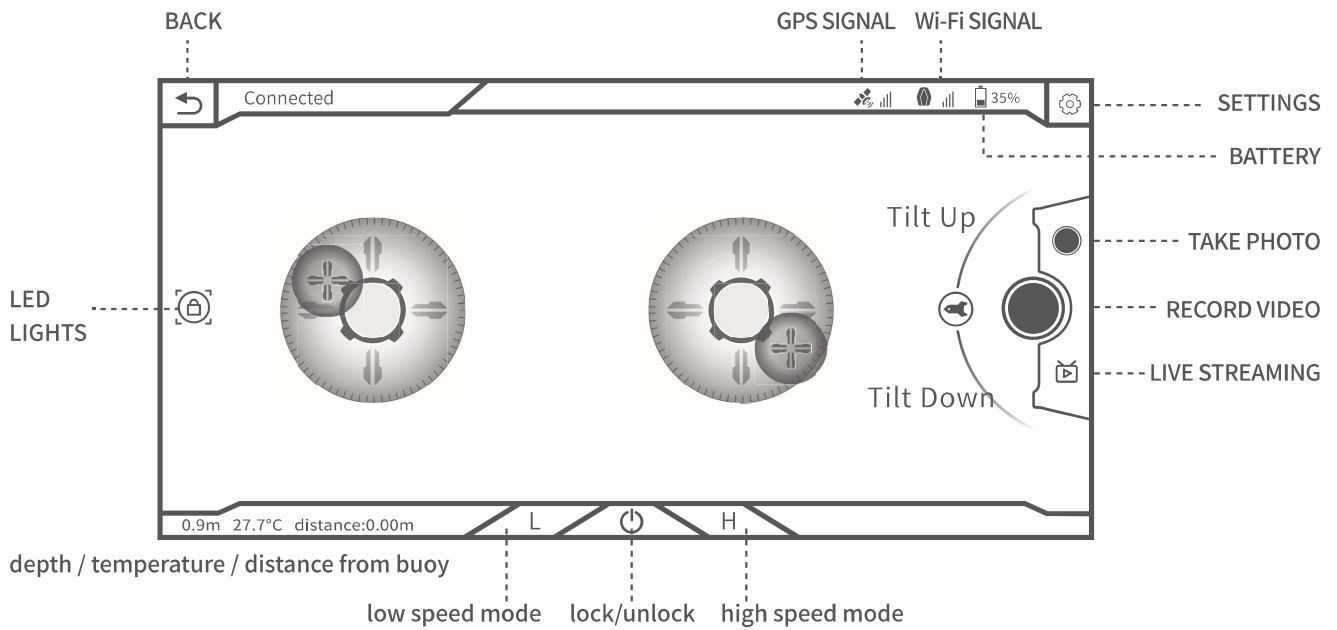
On your mobile device, go to Wi-Fi settings. Click “Dory _xxxxx” network and enter password 12345678.



5 CHASING DORY APP Tutorial

Open the APP, when you see “connected” on the bottom left corner, click “start” on the right. Now you will see the main APP interface (below). Click the power button to unlock the drone and use the virtual joy stick on screen to control the drone’s movement.

- Note:** Do not start the Dory motors while out of the water. Doing this can seize the motors.

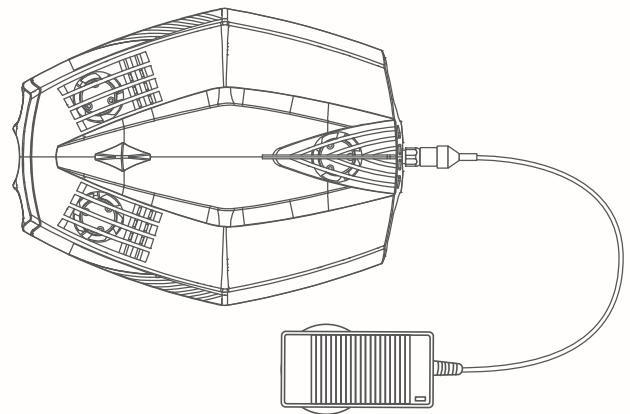


Charging Guidelines

Power adapter indicator light:

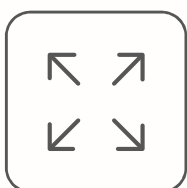
A solid red light indicates normal charging is in process. A solid green light indicates a complete charge. After charging, please unplug the power adapter.

⚠ Note: Wi-Fi buoy does not have a battery and requires no charging. Please DO NOT charge the Wi-Fi buoy.

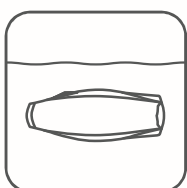


Precautions

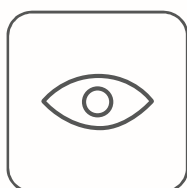
1 Navigation Safety



Open sea navigation



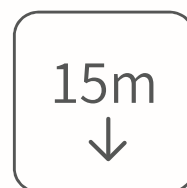
Suggested to use in calm waters



For best results dive in clear waters, avoid heavy seaweed areas.



No dense radio or radar signals

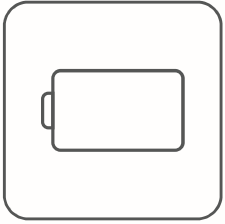


Do not dive more than 15m

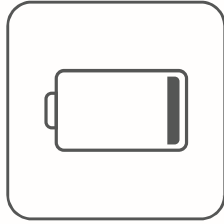


The buoy's Wi-Fi range is 15 meters. If distance between Wi-Fi buoy and phone exceeds this distance, the connection will be lost.

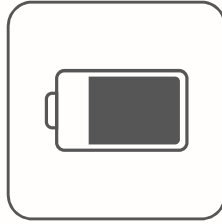
2 Battery Protection



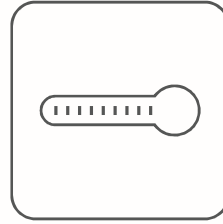
Do not run out of battery power



Charge it when the power is less than 25%

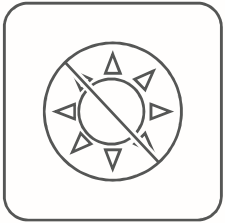


When not in use, keep battery power at 50% - 70%

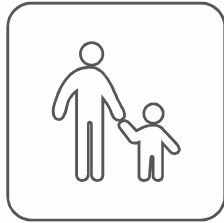


Working temperature
-10 °C ~ 60 °C
(14°F-140°F)

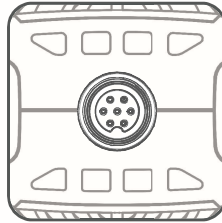
3 Others



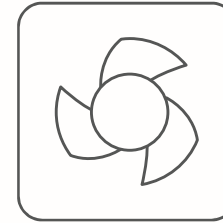
When not in use, do not expose the drone to sunlight. Store it in a cool dry place or in the protective case



Children must use product under adult supervision



Before use, check for water on the tether connectors. If present, wipe with a towel.



After each use please wash the motor and propellers with clean water.

⚠ Warning:

1. Whenever there is a major change of location, please perform a depth calibration before use. After each calibration please reconnect the drone and buoy, then kill and restart APP.
2. To protect battery life, when the battery level is below 1%, the drone will be locked in low speed mode and restrict camera access.
3. After each use, make sure the connector on the drone is dry. Wipe with a towel if necessary.

CHASING

www.chasing.com
support@chasing.com