

AFG-3032/3022 have built in the most frequently used IQ signals required by various digital modulation.

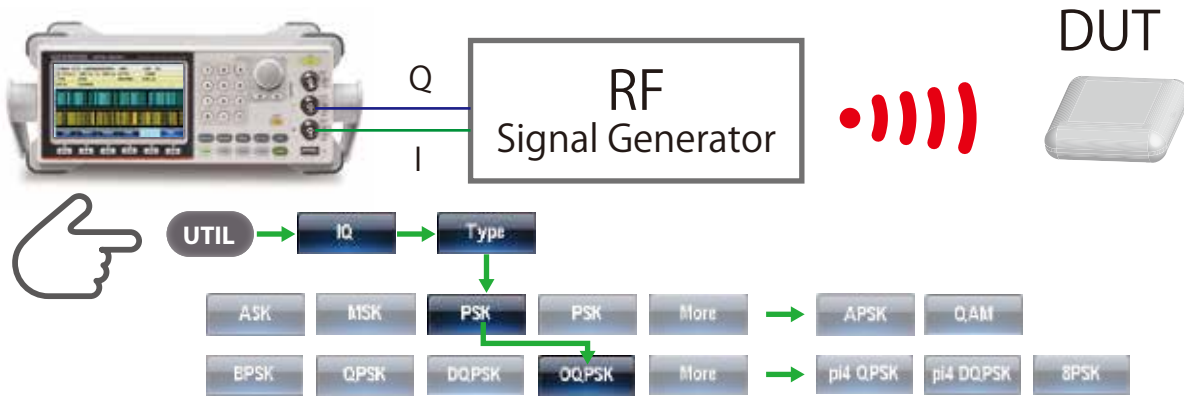


30MHz 2channel AFG-3032
20MHz 2channel AFG-3022

AFG-3032/22 have built in the most frequently used IQ signals required by various digital modulation. Collocating with the flexible setting interface, users do not have to reconstruct document and can change parameters at any time to greatly increase the convenience of the tests.

Example

AFG-3032/22 produce BPSK and OQPSK baseband signals required by ZigBee™ and transmit them to RF signal generator to produce 2.4 GHz ZigBee O-QPSK receiver test signal.



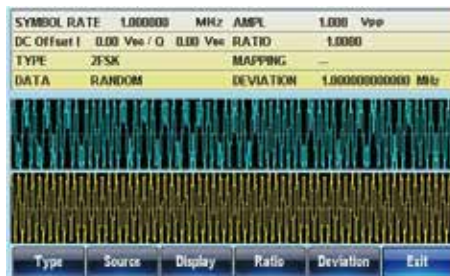
IQ baseband waveforms

The following displays show IQ baseband waveforms produced by AFG-3032/22. Additional options and software editing are not required.

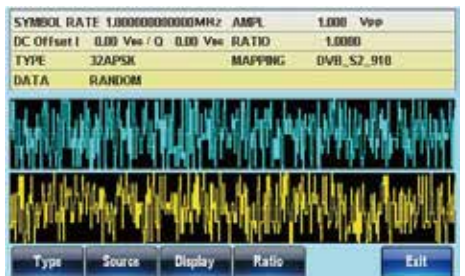
ASK



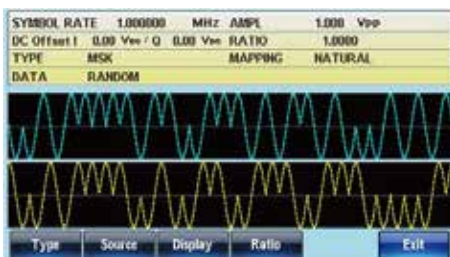
FSK(2FSK,4FSK,8FSK)



APSK(16APSK,32APSK)



MSK



PSK (BPSK, QPSK, DQPSK, OQPSK, pi/4-QPSK, pi/4-DQPSK, 8PSK)



QAM(16QAM,32QAM,64QAM)

