

NOTE:

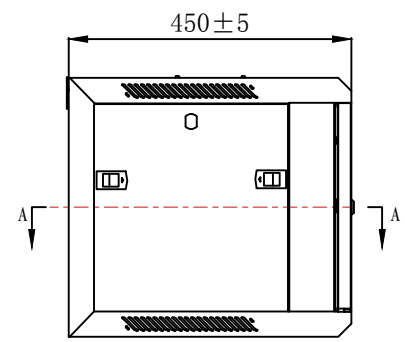
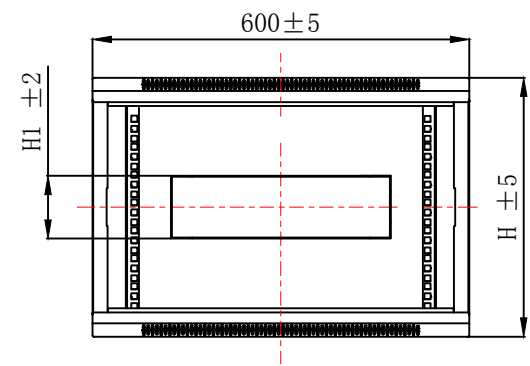
- ANSI/EIA RS-310-D
- IEC60297-2
- DIN41494 PART 1 & PART 7
- Operating Temperature:-40 ~+80°C
- Storage Temperature:-40 ~+85°C
- RoHS 2.0 and REACH Compliant

MATERIAL LIST:

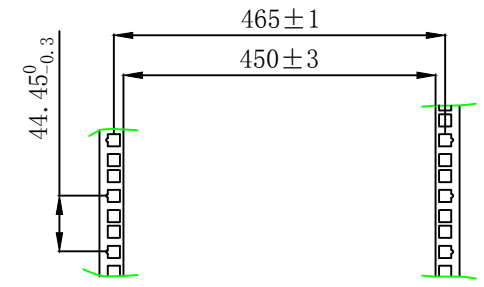
NO.	PARTS NAME	QTY	REMARK
⑤	Hanging plate	1	
④	Right angle glass front door	1	
③	Side door	2	
②	Square hole strip	5	
①	Main part	1	

ITEM NO.	UNO ITEM NO.	Description	H (mm)	H1 (mm)
2205107	526407,E	7U, 600*450 mm, Grey, RAL7035	413	100
2205108	526409,E	9U, 600*450 mm, Grey, RAL7035	502	240
2205109	526412,E	12U, 600*450 mm, Grey, RAL7035	634	380
2205109	526416,E	16U, 600*450 mm, Grey, RAL7035	813	380

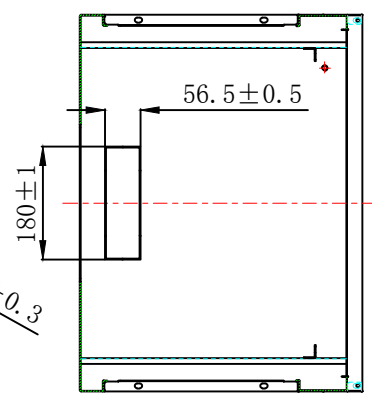
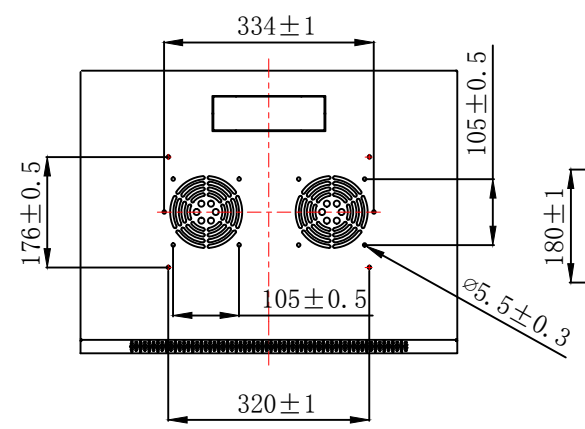
CUSTOMER		CN		ITEM NO.	See the chart		
PRODUCT NAME	19" Wall-Mounting Cabinet, 600*450 mm			UNO ITEM NO.	See the chart	UNIT	mm
NEW	2020-03-12	A	DRAWNBY	CHECKBY	APPOBY	DATE	
BY	CHK	REVISION RECORD MODIFICATIONS	DATE	REV.	Fan	Fan	2020-03-12



Side



Installation dimension of square hole strip



Accessory:

1. M6 copper plated nut (Contain nut, flat washer, spring washer) * 2 sets;
2. Screw and Nut M6*12mm (Hexagonal flower) * 10 sets;
3. Spanner (Hexagonal flower) * 1 pcs;

Packing: 1PCS/PE BAG+Cardboard Box

ITEM NO.	UNO ITEM NO.	Description	H (mm)	H1 (mm)
2205107	526407,E	7U, 600*450 mm, Grey, RAL7035	413	100
2205108	526409,E	9U, 600*450 mm, Grey, RAL7035	502	240
2205109	526412,E	12U, 600*450 mm, Grey, RAL7035	634	380
2205110	526416,E	16U, 600*450 mm, Grey, RAL7035	813	380

CUSTOMER		CN		ITEM NO.		See the chart	
BY	CHK	DATE	REV.	PRODUCT NAME	UNO ITEM NO.	UNIT	mm
		2020-03-12	A	19" Wall-Mounting Cabinet, 600*450 mm			
		NEW		DRAWNBY	CHECKBY	APPOBY	DATE
BY	CHK	REVISION RECORD MODIFICATIONS	DATE	Fan	Fan		2020-03-12