

BN.	Description
29212c269a	50M
29212c269b	90M

MATERIAL LIST:

⑧	Cable	CAT7A S/FTP 23AWG 1200MHz BC Solid LSZH Cable Orange RAL 2003	1	
⑦	Snap ring	Plastic	1	
⑥	Brake pads	Plastic	1	
⑤	Handle	rubber	1	
④	Support shaft	Iron	1	
③	KEYSTONE JACK	CAT6A STP keystone jack	1	
②	FACE PLATE	86*86mm one-port, Title block with Transparent cover, Dust cap, RAL9010 with CAT6A STP keystone jack	1	
①	Plastic reel	∅335mm with face plate, Plastic	1	
NO.	PARTS NAME	SPECIFICATION STANDARD	QT' Y	REMARK

FLUKE MPTL LINK TEST:
TEST LIMIT: ISO11801 MPTL Class EA(+PoE)

- Notes:
- ISO/IEC 11801:2002 Class Fa 1000MHz
 - ISO/IEC EN 50173 Class Fa 1000MHz
 - EIA/TIA 568-C 1000MHz
 - IEC 60603-7-71
 - RJ45 Contacts durability: 750 cycles min
 - Support PoE, PoE+, PoE++
 - Storage temperature : -20°C~+60°C
Operation temperature: 0°C~+50°C
Operation humidity: 10%~85%
Storage humidity: 10%~85%
 - RoHS 3.0 and REACH Compliant

Renkforce

		NEW		2022-08-02	A	DRAWNBY		CHECKBY	APPOBY	DATE
BY	CHK	REVISION RECORD MODIFICATIONS			DATE	REV.	Hasia	Arvin		2022-08-02

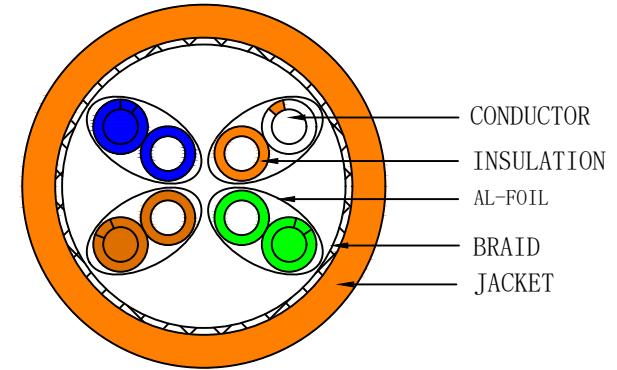
CUSTOMER	CN	BN.	UNIT	MM
PRODUCT NAME	CAT7A S/FTP with Keystone to Field installable Plug on the mobile Spool			

SPECIFICATIONS

TITLE: CAT. 7A S/FTP SOLID CABLE 23AWG (1/0.585 BC*1P+AL-FOIL) × 4PAIR+BRAID (0.12/6/16) AL-MG LSZH
 JACKET OD: 7.7 ± 0.2MM

FILE AMEND NOTE	DATE	EDITION
ORIGINALITY EDITION	2022-08-02	A/0

VIEW:



ITEMS		UNIT	A (4P)			
CONDUCTOR	SIZE	AWG	23AWG			
	CONSTRUCTION	PCS/mm	1/0.585 ± 0.008mm			
	MATERIAL	/	BC			
	PICKS	mm	/			
INSULATION	MATERIAL	/	Foam-PE			
	DIA.	mm	1.38 ± 0.05mm	1.38 ± 0.05mm	1.38 ± 0.05mm	1.38 ± 0.05mm
	COLOR	/	BLUE/WHITE-BLUE	ORANGE/WHITE-ORANGE	GREEN/WHITE-GREEN	BROWN/WHITE-BROWN
	CONCENTRIC	%	≥90%	≥90%	≥90%	≥90%
	NOM. THICKNESS	mm	0.40 ± 0.05MM			
TWIST	CONSTRUCTION	/	1P	1P	1P	1P
	AL-FOIL	mm u	YES			
	MYLAR	mm u	/			
	CONTORT	%	/	/	/	/
	OVERLAPPING	%	>25%	>25%	>25%	>25%
	DIA.	mm	/	/	/	/
	PICK	mm	/			
TWIST	CONSTRUCTION	/	4P			
	MYLAR OVERLAPPING	mm u %	/			
	DRAIN WIRE	mm	/			
	AL-FOIL/OVERLAPPING	mm u %	/			
	FILLERS	/	/			
	PE SKELETON	mm	/			
BRAID/SHIERLD	CONSTRUCTION	/	0.12/6/16 AL-MG OVERLAPPING ≥40%			
JACKET	MATERIAL/COLOR	/	LSOH/95A Orange RAL 2003			
	OUTER DIA.	mm	7.7 ± 0.2mm			
	CONCENTRIC	%	≥80%			
	NOM. THICKNESS	mm	0.50 ± 0.1MM			

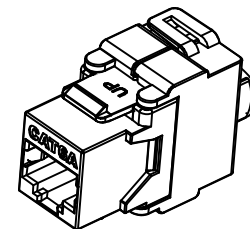
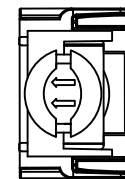
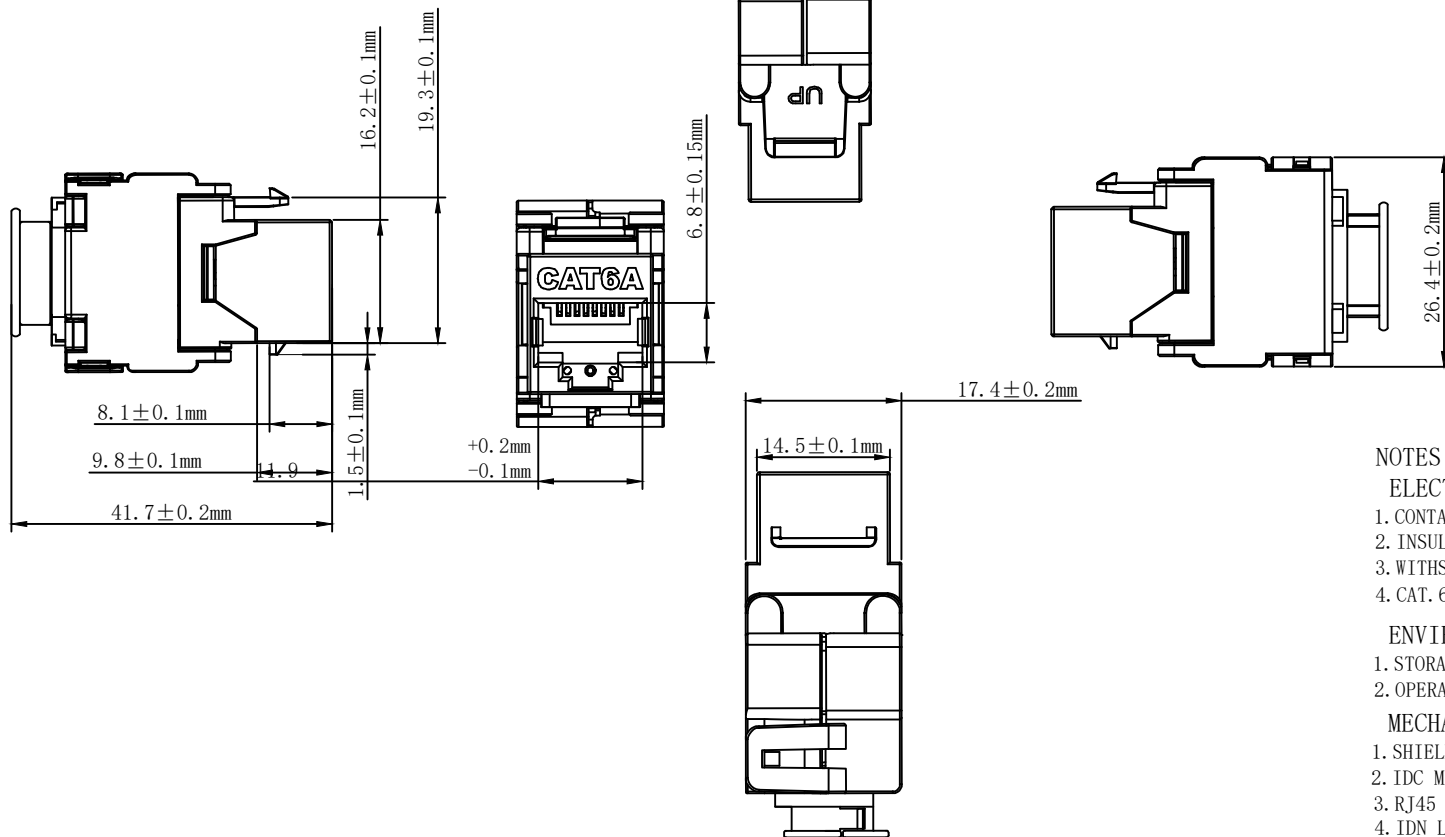
MARKING: CAT7A S/FTP 1200MHz 4x2x23AWG/1 LSZH ISO11801 & EN50173 & ANSI/TIA568C.2 XXXM (50M OR 90M)

NOTE:

1. Installation temperature 0-50°C
2. Operation temperature -20-75°C
3. Operation humidity: 10%~85%
4. Storage humidity: 10%~85%
5. RoHS 3.0 & REACH compliant
6. 3P Certified
7. CPR Class Eca Certified

Renkforce

CUSTOMER NAME	CN	NAME	CAT. 7A S/FTP Solid CABLE 23AWG		
BN.			PICTURE SHOWS	TOLERANCE	
				X.	±1.00
				X.X	±0.50
APPROVED		AUDIT	DRAWING	UNITS	mm
		ARVIN	Hasia	PAGE	1/1



NOTES:

ELECTRICAL:

- 1. CONTACT RESISTANCE : 20M OHMS MAX
- 2. INSULATION RESISTANCE : 500M OHMS MIN @ 500V DC
- 3. WITHSTAND VOLTAGE : DC1000V AC700V RMS 60Hz, 1MIN
- 4. CAT. 6A PERMANENT LINK : CONFORM TO ANSI/TIA/EIA 568B. 2-10

ENVIRONMENTAL:

- 1. STORAGE : -40° TO+70°
- 2. OPERATION : -10° TO+60°

MECHANICAL

- 1. SHIELD MATERIAL: ZINC ALLOY
- 2. IDC MATERIAL: PC UL94V0 TERMINAL:PHOSPHOR BRONZE, TIN PLATING
- 3. RJ45 CONTACT LIFE: 750 TIMES MIN
- 4. IDN LIFE : 250 TIMES MIN
- 5. RJ45 DIMENSION:11.9MM*9.8MM
- 6. WEIGHT: 34.7G

TYPE

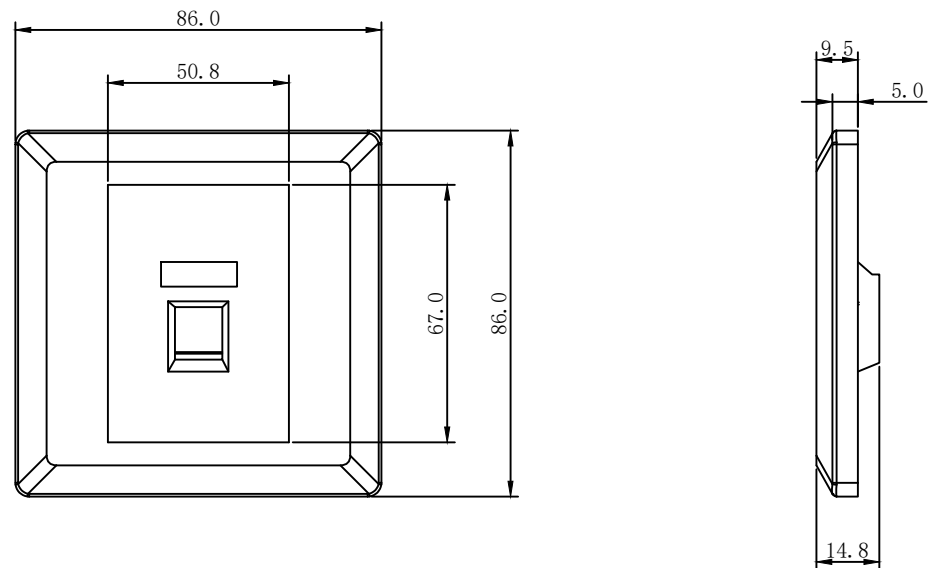
- 1. SHIELDED CAT. 6A KEYSTONE JACK
 - 2. COLOUR:SILVERY WHITE
- RoHS 3.0&REACH COMPLIANT
 Storage temperature : -20°C--+60°C
 Operation temperature: 0°C--+50°C
 Operation humidity:10%~85%
 Storage humidity:10%~85%

MATERIAL LIST:

⑦	MODULAR COVER	FIREPROOF PC UL94V0	1	
⑥	RJ 45 JACK INSERT	8P8C 3U" GOLD PLATED	8	
⑤	PCB	1.6mm UL 94V0	1	
④	IDC BODY	FIREPROOF/PC UL 94V0	1	
③	IDC PIN	PHOSPHOR BRONZE & TINNED	8	
②	LABEL COLOR CODE	T568A/B	2	
①	IDC TERMINAL	FOR 22-26AWG CABLE	1	
NO.	PARTS NAME	SPECIFICATION STANDARD	QT' Y	REMARK

Renkforce				
CUSTOMER	CN	BN.		
PRODUCT NAME	CAT. 6A STP KEYSTONE JACK		UNIT	MM
	DRAWNBY	CHECKBY	APPOBY	DATE
BY	CHK	REVISION RECORD MODIFICATIONS	DATE	REV.

		NEW	2022-08-02	A
BY	CHK	REVISION RECORD MODIFICATIONS	DATE	REV.
			2022-08-02	



Materials:

Outlet Housing: Fireproof ABS UL-94V0/Colour:RAL 9010

Outlet Base:Firepfoof ABS UL-94V0/Colour:RAL 9010

ACCESSORY :

1. Screw:M3*25mm*2pcs

RoHS 3.0 & REACH Compliant

Storage temperature : -20°C--+60°C

Operation temperature: 0°C--+50°C

Operation humidity:10%~85%

Storage humidity:10%~85%

Renkforce								
CUSTOMER	CN		BN.					
PRODUCT NAME	FACE PLATE 1 PORT			UNIT	MM			
		NEW	2022-08-02	A	DRAWNBY	CHECKBY	APPOBY	DATE
BY	CHK	REVISION RECORD MODIFICATIONS	DATE	REV.	Hasia	Arvin		2022-08-02