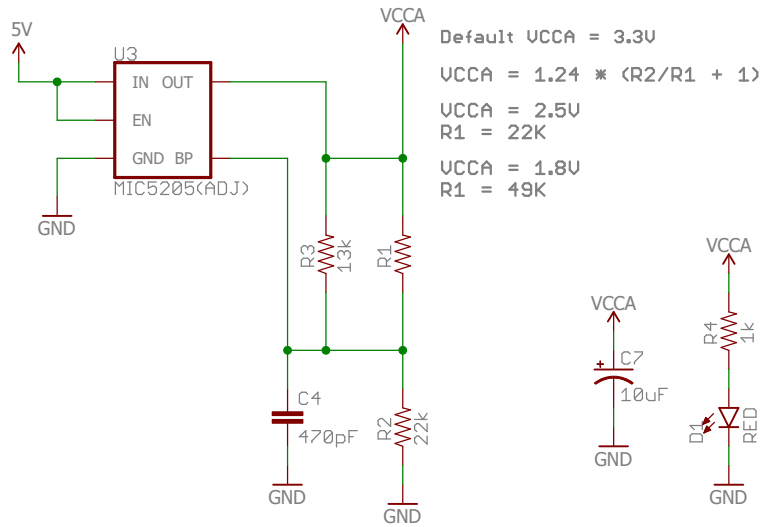
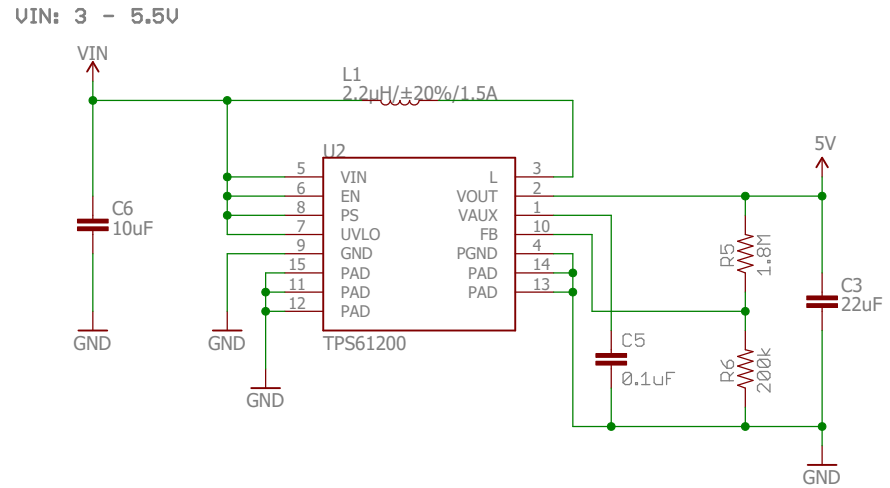


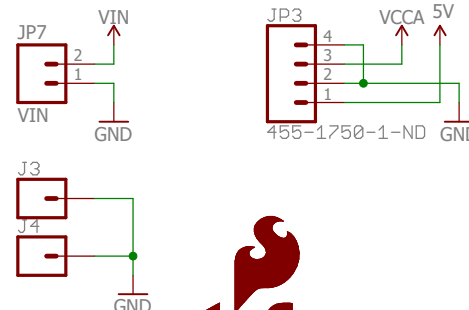
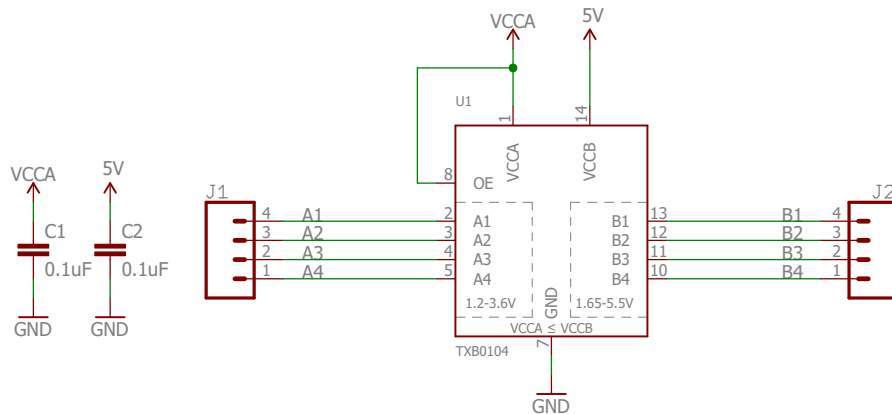
## VCCA voltage regulation



## 5V Boost Regulator



## Logic Level Conversion



**sparkfun**

**open hardware**

Released under the Creative Commons Attribution Share-Alike 4.0 License  
<https://creativecommons.org/licenses/by-sa/4.0/> ☒ ☒ ☒ ☒

TITLE: Single\_Supply\_Logic\_Level\_Converter

Design by: Mary West

REV: v10

Date: 8/6/2018 10:48 AM

Sheet: 1/1