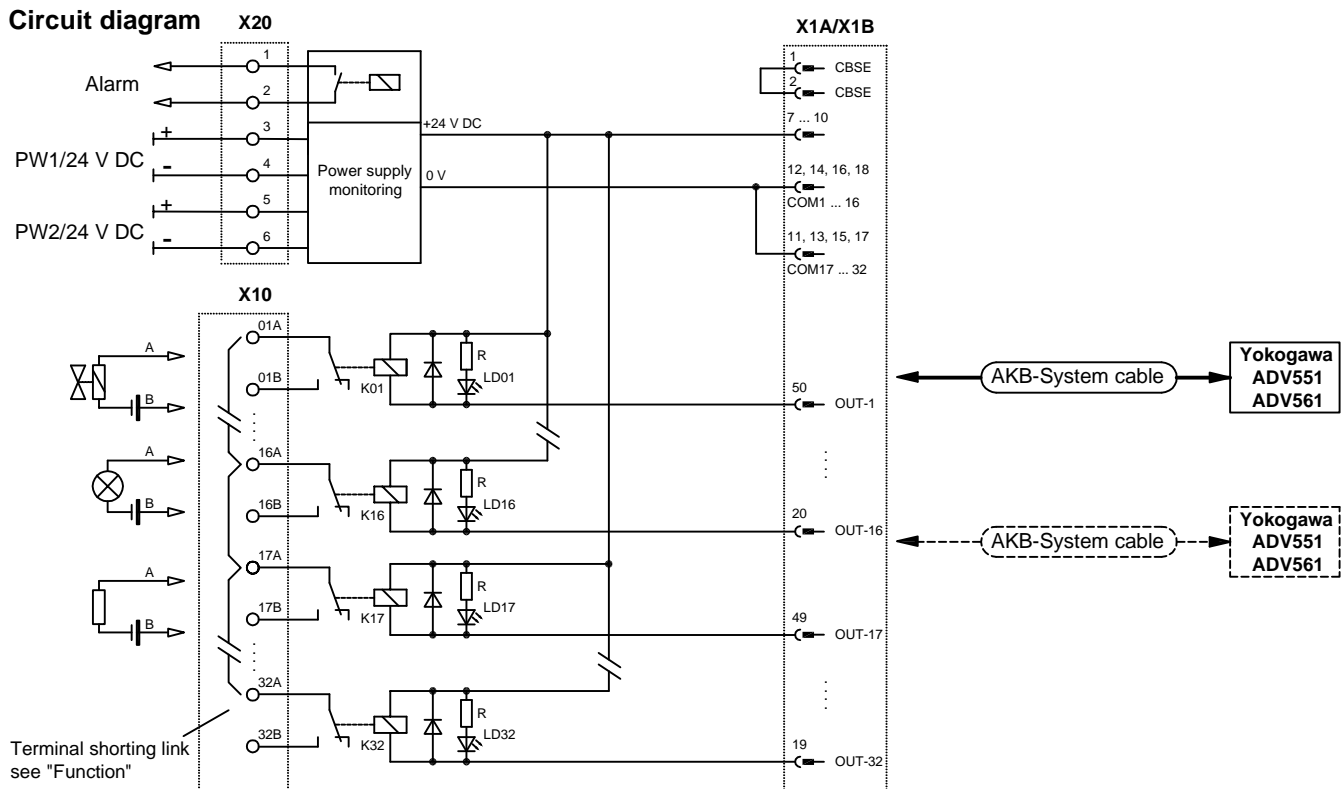


Technical Description

Field termination: X10	Screw terminals	
System connector: X1A, X1B	50 pin YO50 (AKB331)	DO
Power feed / Alarm: X20	6 pin screw terminals (pluggable)	24 V DC SELV/PELV, redundant / total
Relay: K01...K32 (removable)	contact loading	24 V AC / 1.5 A / $\cos \phi > 0.7$; 30 V DC / 1.5 A (resistive load) I_{load} (over all 32 relays) ≤ 16 A Derating: $I_{load} \leq 1.5$ A at $T_{amb} = 50$ °C ; $I_{load} \leq 1.8$ A at $T_{amb} = 45$ °C $I_{load} \leq 2.1$ A at $T_{amb} = 40$ °C Remark: In case of inductive loads, the connection of a diode in parallel with the load will permit a similar electrical life as for a resistive load.
F150; F151	Fuse: F150; F151 (T2 A) (removable)	Power feed fuse
X20	6 pin pluggable terminal combicon (Phoenix)	Power feed terminal

Function: Termination-Board to connect to the Yokogawa CS 3000 R3 I/O card. The TB System connector X1A/X1B links to the Yokogawa I/O card via a standard cable supplied by Yokogawa. Two system connectors in parallel allow for redundant applications. The connections X10 to/from the field are screw terminals. The unit has a 24 V DC redundant power supply feed, monitored by a volt free relay contact. (X20. 1, 2) LED PW1, PW2 and Alarm indicate the actual power status. Following field devices are supported: valves, lamps, resistors. Terminal shunting links to supply the relay contacts optionally available. The board is designed to be mounted on DIN-Rail (DIN EN5022).

Circuit diagram



Options: TB-C3-DO32-SCSI50: PN XXXXX (36-9317_2) with SCSI connector

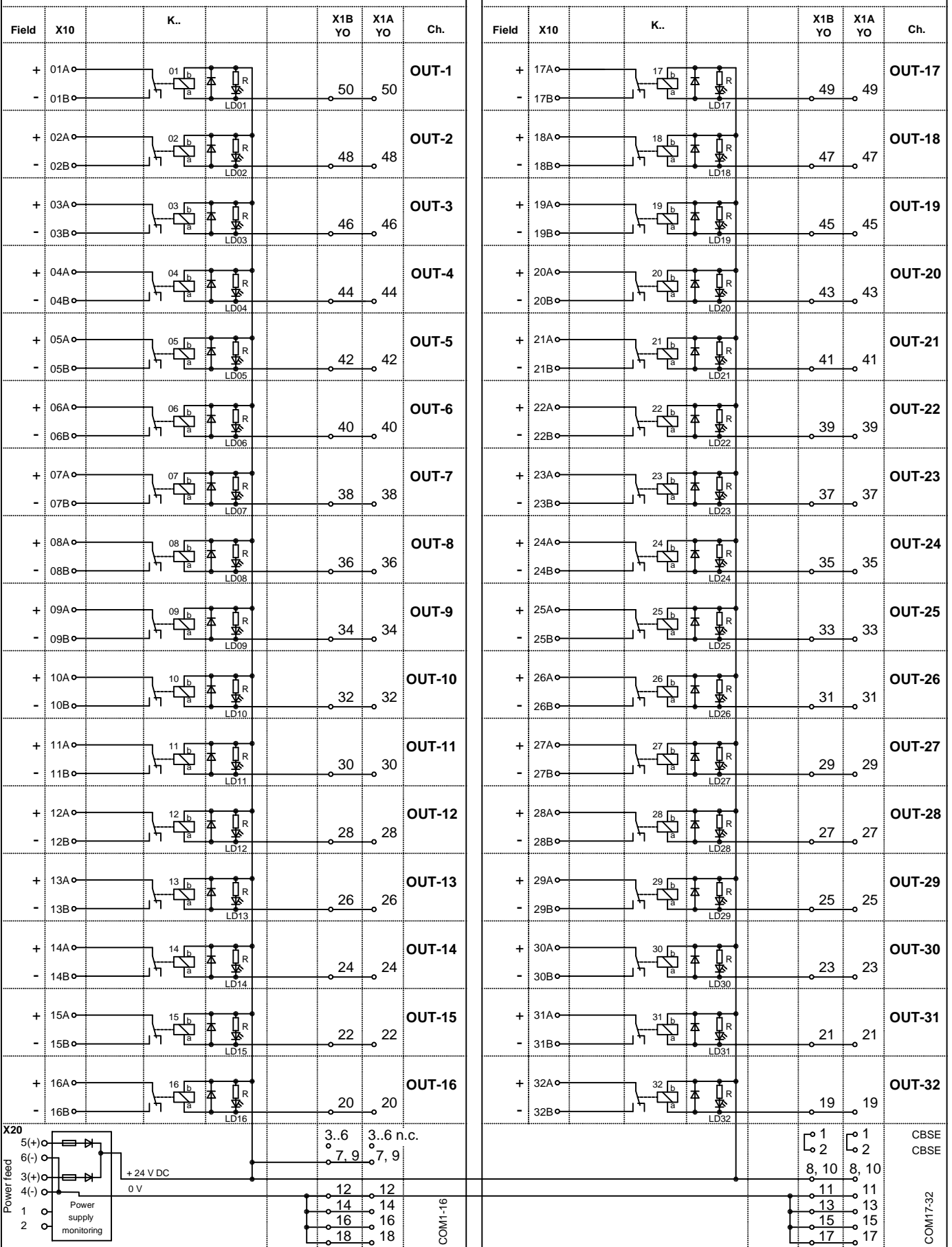
16.11.05	Bro	DG	--/--
Date	S TZ	Off. in ch.	contr. techn. contr. Norm

FI-Module
Non IS termination board
DO 32 channels - redundant
TB-C3-DO32-AKB-Y188682

Dept.: PA-PG-TB	No.36-9317m1	
Up date: DG 04.06.14	Replaces: xxxxx / 36-xxxx	Sheet 1
Scale: 1 : 2	of 3	

Channels 1 ... 16

Channels 17 ... 32



copyright according to DIN34
 unauthorized distribution and reproduction prohibited

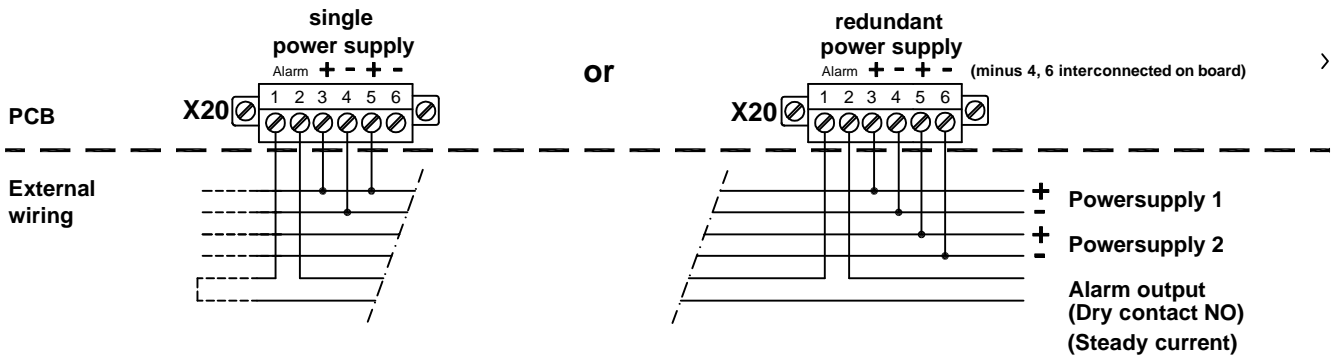


PEPPERL+FUCHS
 Mannheim-Schönau

FI-Module
 Non IS termination board
 DO 32 channels - redundant
TB-C3-DO32-AKB-Y188682

16.11.05	Bro	DG	--/--	
Date	S TD	Off. in ch.	contr. techn.	contr. Norm
Dept.: PA-PG-TB	No. 36-9317m1			
Up date: 04.06.14	Replaces: xxxxx / 36-xxxx		Sheet 2	
Scale: -/-		of 3		


Connection power supply and error message (Alarm)



Alarm LD indication and contact status

Power supply 1	Power supply 2	LD green	X20.1, X20.2 Alarm contact	LD red (Flashing)
PS ON and Fuse 150 OK	PS ON and Fuse 151 OK	LD150 ON LD151 ON	contact closed	LD135 OFF
PS ON and Fuse 150 OK	PS OFF	LD150 ON LD151 OFF	contact open	LD135 ON
PS OFF	PS ON and Fuse 151 OK	LD150 OFF LD151 ON	contact open	LD135 ON
PS ON and Fuse 150 OK	PS ON and Fuse 151 broken	LD150 ON LD151 OFF	contact open	LD135 ON
PS ON and Fuse 150 broken	PS ON and Fuse 151 OK	LD150 OFF LD151 ON	contact open	LD135 ON
PS ON and Fuse 150 broken	PS ON and Fuse 151 broken	LD150 OFF LD151 OFF	contact open	LD135 OFF
PS OFF	PS OFF	LD150 OFF LD151 OFF	contact open	LD135 OFF

copyright according to DIN34
unauthorized distribution and reproduction prohibited

 PEPPERL+FUCHS Mannheim-Schönau	FI-Module Non IS termination board DO 32 channels - redundant TB-C3-DO32-AKB-Y188682	16.11.05	Bro	DG	--/--		
		Date	S	TD	Off. in ch.	contr. techn.	contr. Norm
		Dept.: PA-PG-TB	No. 36-9317m1		Replaces:		
		Up date: 04.06.14	xxxxx / 36-xxxx		Sheet 3		
		Scale: - : -		of 3			