

268  
HANDHELD CASES

292  
UNIVERSAL  
ENCLOSURES

318  
HEAVY DUTY  
AND ELECTRICAL  
ENCLOSURES

342  
DESKTOP AND  
INSTRUMENT  
CASES

348  
DEVELOPMENT  
BOARD  
ENCLOSURES

367  
ROOM SENSOR  
ENCLOSURES

370  
CUSTOM SIZED  
ENCLOSURES

# 1500 series - universal smart enclosure kit

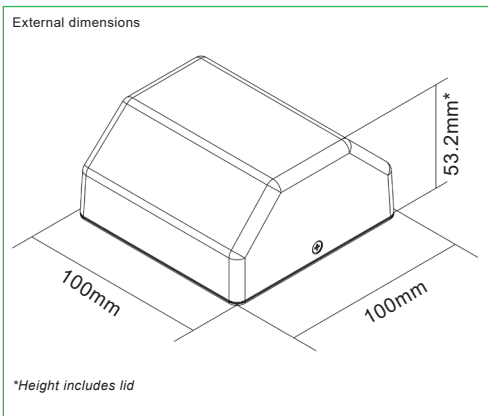
## Product overview

A multi-purpose, advanced plastic enclosure ideal for modern electronic applications. The 45 degree angles allow the enclosure to be mounted at an angle on desks or walls, it can also be mounted directly in the corner of a room.

- Includes versatile wall mounting system providing a variety of mounting options
- Multi-faceted design can be used in a variety of orientations
- Two sets of PCB pillars in both the lid and base allow multiple PCB mounting options
- Lid panel secured by single screw for ease of assembly
- Lid features a recess; ideal for touch pads, digital displays and overlays
- Premium quality, modern appearance
- Moulded in UL94-V0 ABS
- Available in vented and unvented versions
- Available in black, white or grey
- Manufactured in the UK
- Components of kit available separately (subject to MOQ's and lead times)



SPECIFICATION TABLE			
Material	Base	UL94-V0 ABS	
	Lid	UL94-V0 ABS/ brass M3 insert	
	Wall mount bracket	UL94-V0 ABS	
	Wall mount lugs	UL94-V0 ABS	
	All screws/ nuts	BZP (bright zinc plated steel)	
Colours available	White	Similar to RAL9003	
	Black	Similar to RAL9005	
	Grey	Similar to RAL7035	
IP rating	Vented	IP30	
	Solid	IP40	
Operating temperature	-10°C to + 80°C		
Screw torque	Self tapping (security and mounting lug)	0.2Nm	Max insertions = 2
	M3 (lid and mounting lug)	0.5Nm	Max insertions >1000



## 1500 SERIES KIT WITH 45° WALL MOUNT BRACKET

PART NO.	STYLE	COLOUR
CB1500-10VWH-KIT	Vented	White
CB1500-10SWH-KIT	Solid	White
CB1500-10VBK-KIT	Vented	Black
CB1500-10SBK-KIT	Solid	Black
CB1500-10VGY-KIT	Vented	Grey
CB1500-10SGY-KIT	Solid	Grey



KIT CONTAINS	DESCRIPTION	QTY
Base		1
Lid		1
Lid screw	M3 x 10 CSK pozi	1
45° wall mount bracket		1
Wall mount lugs		2
Lug screws (self tapping)	No4 x 3/8" pan pozi self tapping	2
Lug screws (M3)	M3 x 10 CSK Pozi	2
Lug nuts	M3 full nut	2
Wall mount security screw	2.9 x 16 pan pozi self tapping	1



PLASTIC ENCLOSURES

1

CamdenBoss-Vertretung für das komplette Lieferprogramm:



AXXATRONIC GmbH  
Alemannenstrasse 10  
71296 Heimsheim  
Tel. 07033 / 46 66 1 - 0  
Fax 07033 / 46 66 1 - 23

info@axxatronic.de  
www.axxatronic.de

We operate a constant improvement policy.

our products are subject to change without notice.

Vers 1



## 1500 SERIES ENCLOSURE ONLY

PART NO.	STYLE	COLOUR
CB1500-10VWH	Vented	White
CB1500-10SWH	Solid	White
CB1500-10VBK	Vented	Black
CB1500-10SBK	Solid	Black
CB1500-10VGY	Vented	Grey
CB1500-10SGY	Solid	Grey

ENCLOSURE CONTAINS	QUANTITY
Base	x 1
Lid	x 1
Lid screw	M3 x 10 CSK pozi x 1



## ALTERNATIVE BRACKET KIT OPTION

- Flat mounting bracket to allow enclosure 'end' to be wall mounted

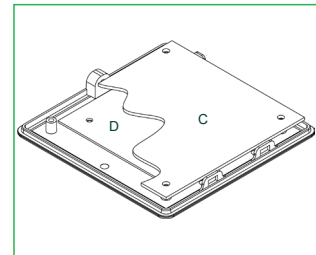
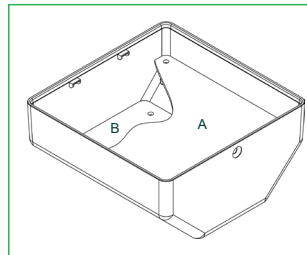
PART NO.	DESCRIPTION
CBWM-10WH	Flat mounting plate white
CBWM-10BK	Flat mounting plate black
CBWM-10GY	Flat mounting plate grey



KIT CONTAINS	DESCRIPTION	QTY
Wall mount bracket		1
Wall mount lugs		2
Lug screws (self tapping)	No4 x 3/8" pan pozi self tapping	2
Lug screws (M3)	M3 x 10 CSK Pozi	2
Lug nuts	M3 full nut	2
Wall mount security screw	2.9 x 16 pan pozi self tapping	1

## PCB SIZE AND POSITION

PCB POSITION	MAX LENGTH	MAX WIDTH	MOUNT HOLE SPACING
PCB position A	93mm	93mm	85 x 85mm
PCB position B	93mm	65.8mm	58 x 49mm
PCB position C	91.5mm	91.5mm	75 x 75mm
PCB position D	70mm	70mm	50 x 50mm



## Individual parts to order to your exact requirement

Please note, MOQ/lead times may apply

PART NUMBER	DESCRIPTION	PART
BIM/screw-M3	Lid screw	M3 x 10 CSK pozi
BIM/screw-M3	Lug screws (M3)	M3 x 10 CSK pozi
CBWM45-BR-10WH	45° - size 10 wall mount bracket - white	45 degree bracket only
CBWM45-BR-10BK	45° - size 10 wall mount bracket - black	45 degree bracket only
CBWM45-BR-10GY	45° - size 10 wall mount bracket - grey	45 degree bracket only
CBWM-NUT-10WH	Wall mount lugs - white	Wall mount lugs; 2 required
CBWM-NUT-10BK	Wall mount lugs - black	Wall mount lugs; 2 required
CBWM-NUT-10GY	Wall mount lugs - grey	Wall mount lugs; 2 required
KF351	Lug screws (self tapping)	No4 x 3/8" pan pozi self tapping
KF254	Lug nuts	M3 full nut
KF353	Wall mount security screw	2.9 x 16 pan pozi self tapping
KF354	Lid screw (torx)	M3 x 10 Torx head screw
KF355	PCB mounting screws	2.9mm x 6.5mm pan head screw
CBWM-BR-10BK	Size 10 wall mount bracket - black	Flat wall mount bracket only
CBWM-BR-10GY	Size 10 wall mount bracket - grey	Flat wall mount bracket only
CBWM-BR-10WH	Size 10 wall mount bracket - white	Flat wall mount bracket only