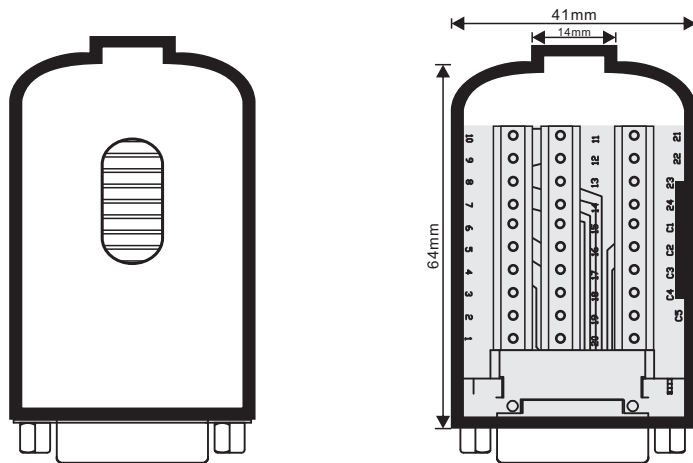
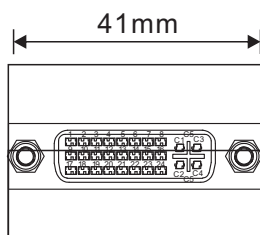
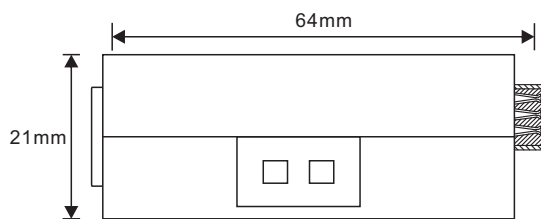


## DVI -I Female Connector modular

Item No. 2001C227



Included accessories  
1x Screw driver  
1x Cable strain Relief  
2x Fastening screw



|                     |                   |                     |             |   |                 |             |                      |                     |             |
|---------------------|-------------------|---------------------|-------------|---|-----------------|-------------|----------------------|---------------------|-------------|
| 1                   | 2                 | 3                   | 4           | 5   | 6               | 7           | 8                    | 9                   | 10          |
| TMDS Data2-         | TMDS Data2+       | TMDS Data2/4 Shield | TMDS Data4- | TMDS Data4+                               | DDC Clock       | DDC Data    | Analog Vertical Sync | TMDS Data1-         | TMDS Data1+ |
| 11                  | 12                | 13                  | 14          | 15  | 16              | 17          | 18                   | 19                  | 20          |
| TMDS Data1/3 Shield | TMDS Data3-       | TMDS Data3-         | +5V Power   | Ground (return for +5V, Hsync, and Vsync) | Hot Plug Detect | TMDS Data0- | TMDS Data0+          | TMDS Data0/5 Shield | TMDS Data5- |
| 21                  | 22                | 23                  | 24          | C5  |                 |             |                      |                     |             |
| TMDS Data5+         | TMDS Clock Shield | TMDS Clock+         | TMDS Clock- | Analog Ground (analog R/G/B return)       |                 |             |                      |                     |             |

Material:  
Housing: PP  
Insulator: PBT  
Connector shell: SPCC with plated Ni 40µ min.  
Contact: Brass with plated Au 1µ  
Technical:  
Voltage rating: 40V max.  
Current rating: 1.5A max.  
Contact resistance: 30mΩ max.  
Insulation resistance: 1000MΩ min.  
Dielectric withstanding voltage: 500V/AC(R.M.S)  
Operation temperature: -20 ~85°C