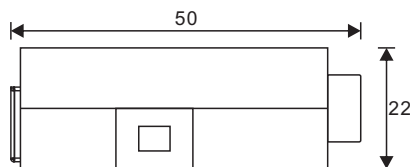
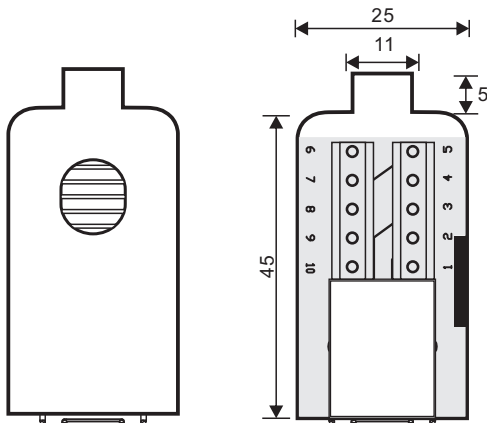
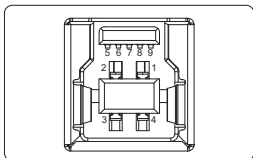


USB B type, 3.0 Female Connector modular

Item No. 2001C205



mm±0.2



PIN NUMBER	SIGNAL NAME
1	VBUS
2	D-
3	D+
4	GND
5	STDA_SSRX-
6	STDA_SSRX+
7	GND_DRAIN
8	STDA_SSTX-
9	STDA_SSTX+
Shell	Shield



Screwdriver Included



Material:
Housing: PP
Insulator: PBT+30% GF
Connector shell: Brass with Nickel plated
Contact: Copper alloy with Au plated
Technical:
Voltage rating: 5V max.
Current rating: 1.5A max.
Contact resistance: 30mΩ max.
Insulation resistance: 1000MΩ min.
Dielectric withstanding voltage: 500V/AC(R.M.S)
Operation temperature: -20 ~85°C