

## QRUV

### Emergency-stop head



#### General Data

Type reference	QRUV
Description	Emergency-stop head, foolproof
Approvals	CCC, cULus, TÜV_SÜD, CE, UR
Degree of protection	IP65 / IP67 / IP69K
Max. storage temperature	-50°C ... 85°C
Max. operating temperature	-30°C ... 70°C
Mechanical life	50,000

#### Technical Data

Mounting aperture	22.3 mm
Tightening torque (mounting nut)	max. 2.5 Nm
Release	twist release, left or right
Mounting position	any
Standards	EN 60947-5-1, EN 60947-5-5, EN ISO 13850

#### Note

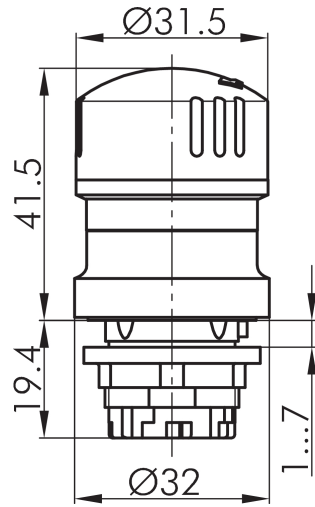
- with switching position indicator
- foolproof acc. to EN ISO 13850



Illustration:



Dimensional drawing:



Drilling pattern:

