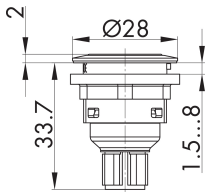




Pushbutton with ring illumination and laser printing 4-pole M12 connector STLRBI..._C005

Description:

standard imprints see nameplates from page #sbez# (please specify index number) special inscription on request with integrated 4-pole M12 connector, A-coded incl. lens and white LED



Category:

Pushbuttons

Series:

SHORTRON® connect

Panel cut-out:

Ø 22.3 mm

Protection class:

II (protective insulation)

Degree of protection:

IP65 / IP67

Switching function:

momentary action

Travel:

2.3 mm

Illumination:

yes

With labelling option:

yes

Contact equipment:

1NO

Connection type:

M12 4 poles

Front bezel

silver-coloured

Illuminated ring

blue

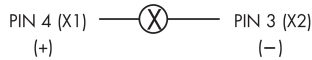
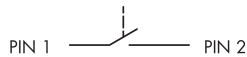
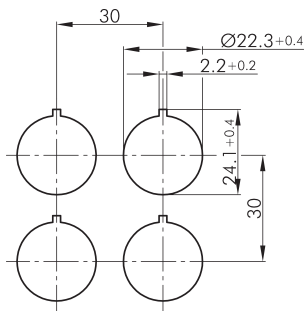
Switching capacity:

Shape:

round

Lamp socket:

none, with integrated 3 mm LED white



0 1 2

PIN 1 / PIN 2

