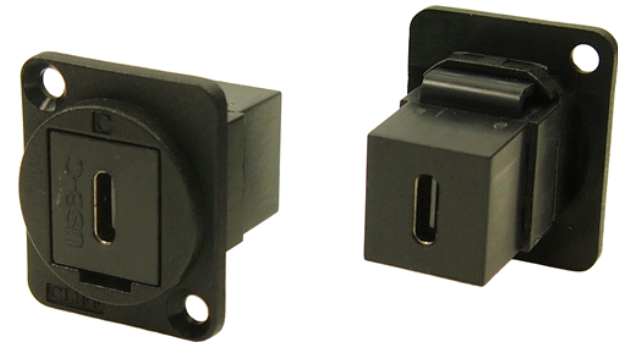
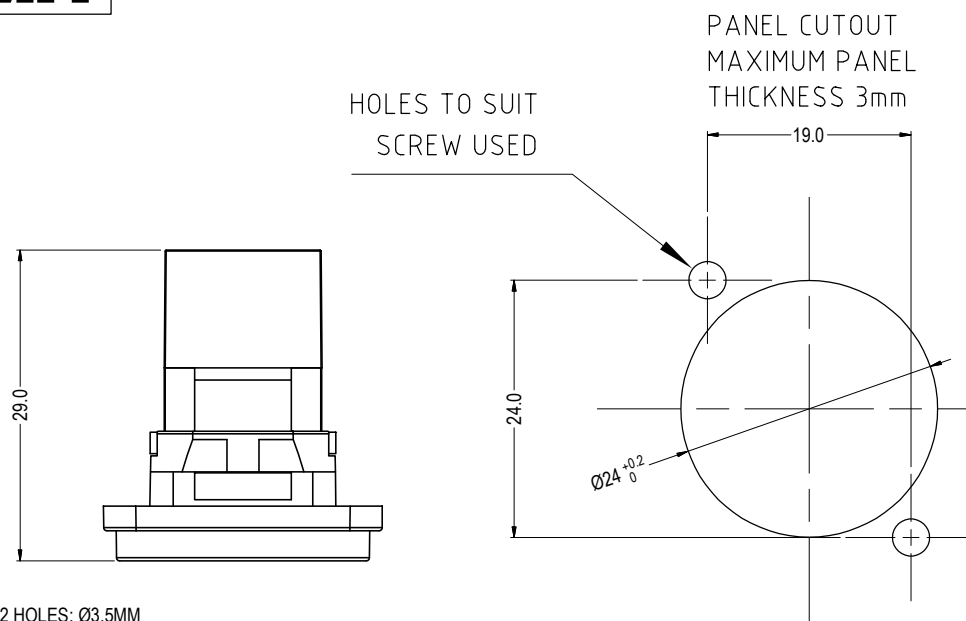
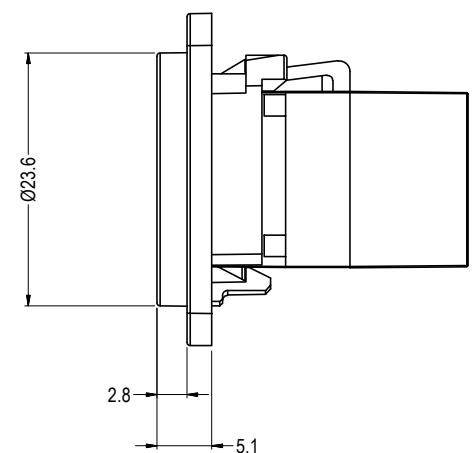
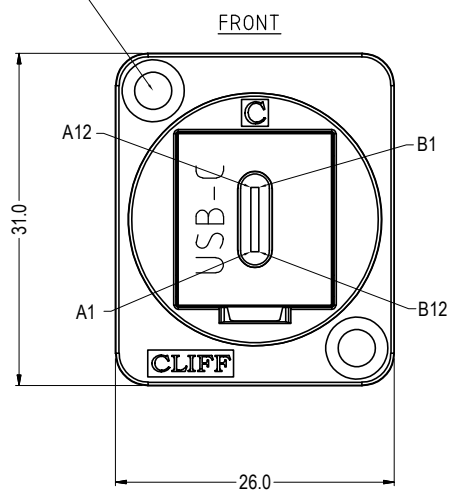


ISS.	AMEND	DATE
1	ISSUED	02/09/19
2	USAGE NOTES	07/10/19

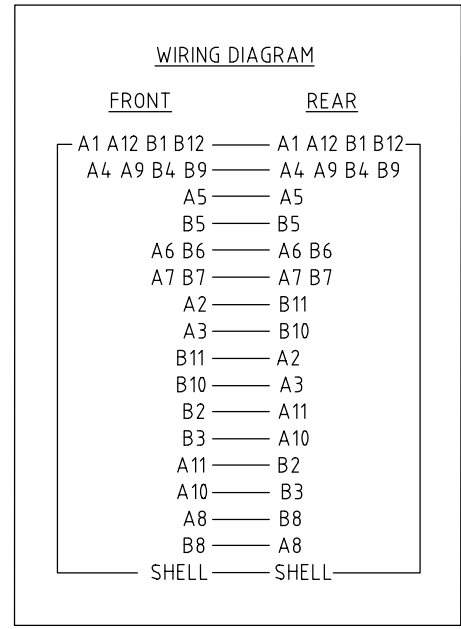
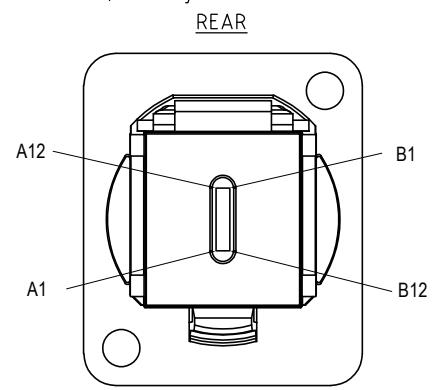


2 HOLES: Ø3.5MM  
CSK 82° X Ø5.85  
'X' VARIANT HAS PLAIN Ø2.5 HOLE



Materials:  
Frame: PA66, UL94-V2  
Insert: ABS - UL94 HB

USB-C Specification:  
Maximum Rated Current - 3A  
Maximum Power - 60W  
Withstanding Voltage - 100V for 1 minute.  
Contact Resistance - 40 Milli-ohms Max.  
Insulation Resistance - 100 Mega-ohms Min.  
Insertion Life - 5,000 Cycles.



VARIANTS	
PART NO.	DESCRIPTION
CP30201	HOLE Ø3.5MM CSK 82° X Ø5.85MM
CP30201X	PLAIN HOLE 2.5MM

**RoHS**  
COMPLIANT

**TOLERANCE**  
NO DEC. PLACE ± 0.50  
1 DEC. PLACE ± 0.20  
2 DEC. PLACE ± 0.10  
HOLE Ø ± 0.10  
ANGLES ± 1/2°  
UNLESS OTHERWISE STATED

FUNCTIONALITY IS AFFECTED BY CABLE QUALITY, LENGTH AND CABLE WIRING CONFIGURATION  
NOT COMPATIBLE FOR POWER DELIVERY (PD) CHARGING

**Cliff Electronic Components Ltd.**  
76 Holmetherpe Avenue, Holmetherpe Industrial Estate,  
Redhill, Surrey, RH1 2PF, England, UK  
Tel: 01737-771375 Fax: 01737-766012 Website: www.cliffuk.co.uk

DIMENSIONS IN MILLIMETERS UNLESS OTHERWISE STATED. WORK TO DIMENSIONS. REMOVE ALL BURRS. IF IN DOUBT ASK.

3rd ANGLE PROJECTION:

DO NOT SCALE

THE CONTENTS OF THIS DOCUMENT MUST NOT BE COPIED OR DISCLOSED TO A 3rd PARTY WITHOUT WRITTEN PERMISSION OF CLIFF UK

MATERIAL: SEE NOTES	TITLE: FT USB-C (F-F) CSK
FINISH: CLEAN	DRWG. No. CP30201
DRAWN: D.P.I.	APPROVED: D.P.I.

FORM: A4DRWGI
---------------