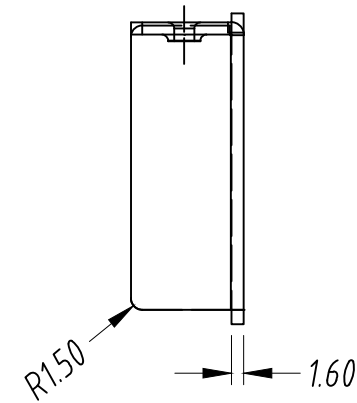
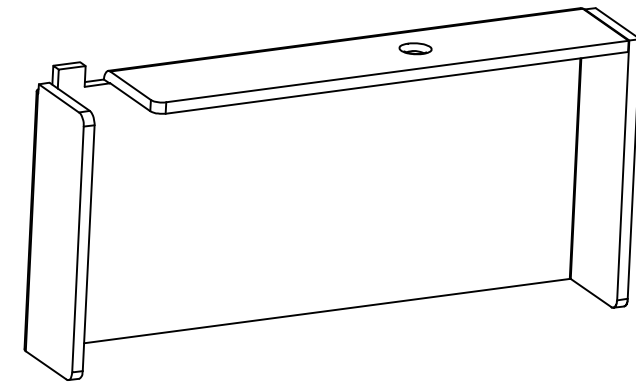
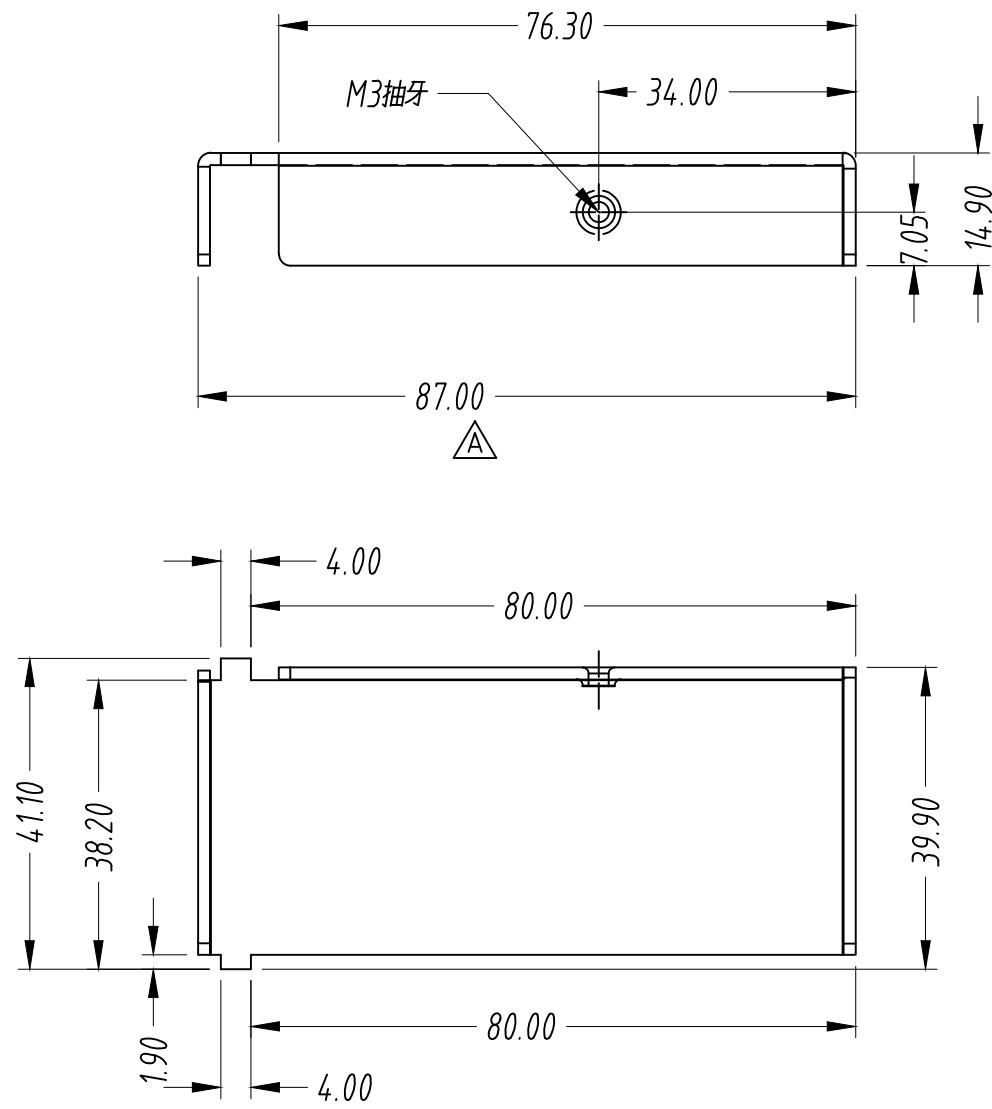



A B C D E F G H

REV.	DESCRIPTION	ECN. CORE	DATE
△	尺寸變更		180105



MEAN WELL  
2018/1/15  
ISSUE  
CONFIDENTIAL

	MATERIAL: AL1050 T=1.6 mm		DWG NAME: 檔板	
	FINISH: 脫脂洗淨		DWG. NO: NMP-1200	
NOTE:	TOL.	ANGLES $\pm 0.5^\circ$	DATE: 2018-01-05	
	( )	(✓)	SCALE: 1 : 1	UNIT: mm
	x. $\pm 0.35$	UP to 100: $\pm 0.2$ mm	SHEET: 1 OF 1	REV. R1
	x.x $\pm 0.25$	100 to 200: $\pm 0.3$ mm		
	x.xx $\pm 0.15$	200 to 300: $\pm 0.4$ mm		
		300 to 400: $\pm 0.5$ mm		

研發部 蕭鵬輝 2018/1/15	研發部 羅英鴻 2018/1/15	研發部 林鴻儒 2018/1/15	研發部 許淑惠 2018/1/15	研發部 鄭臻遠 2018/1/15
-------------------------	-------------------------	-------------------------	-------------------------	-------------------------