

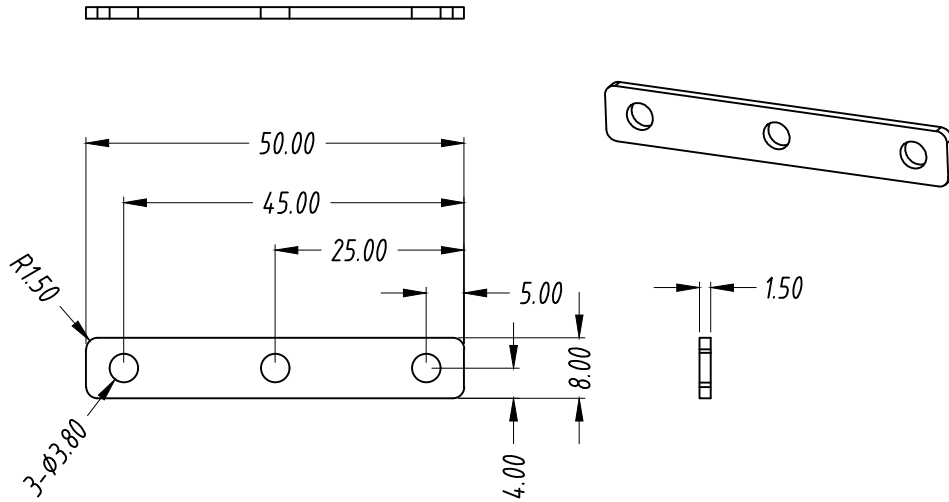
A

B

C

D

REV.	DESCRIPTION	ECN. CORE	DATE



MEAN WELL
2017/10/27
ISSUE



MATERIAL: 紅銅 T=1.5mm

DWG NAME: 銅片

FINISH: 鍍錫

DWG. NO: NMP-1200

TOL. ()
 x. ±0.35 UP to 100:±0.2mm
 x.x ±0.25 100 to 200:±0.3mm
 x.xx ±0.15 200 to 300:±0.4mm
 300 to 400:±0.5mm

DATE: 2017-10-02

P/NO: DGG2FAP-010

SCALE: 1 : 1

UNIT: mm

SHEET: 1 OF 1

REV. R0

NOTE:

