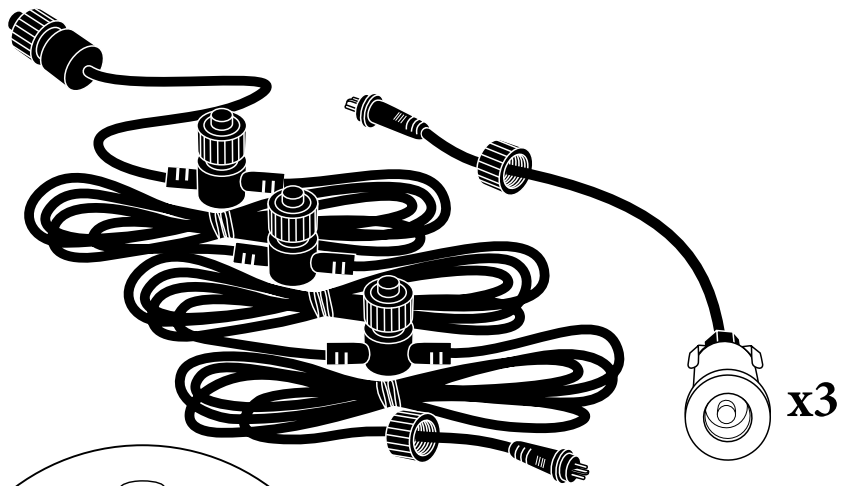
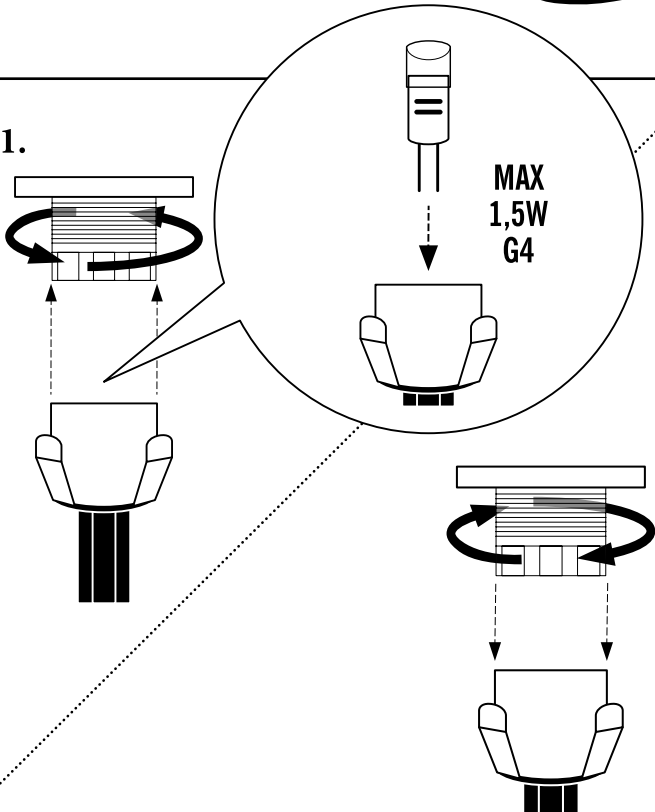


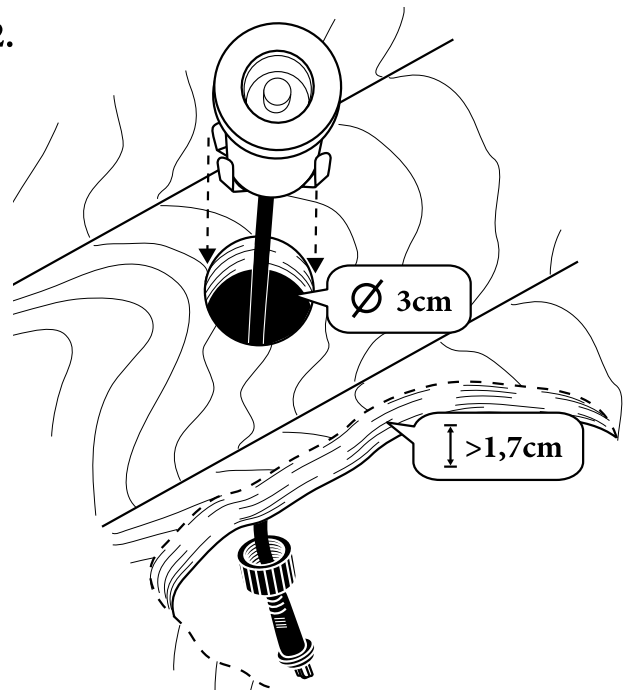
**Mini Ground Spot LED**  
**7480-000**



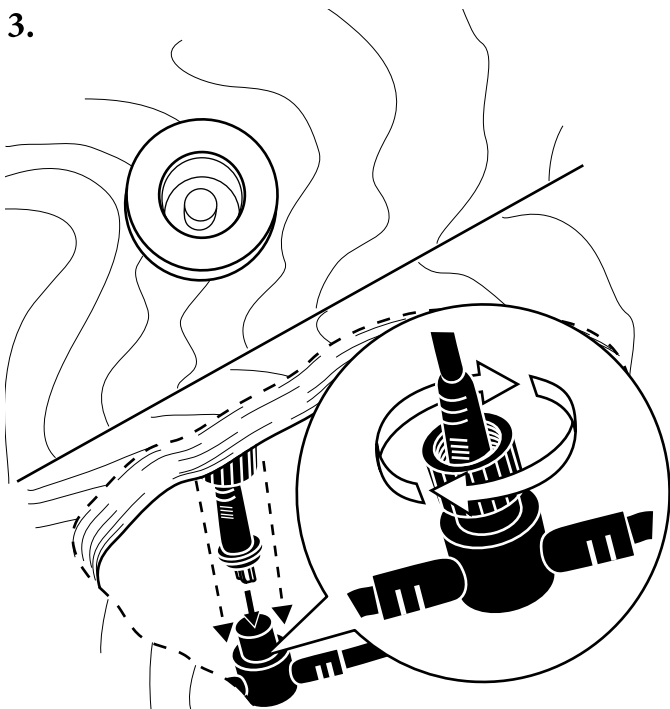
1.



2.



3.



4.

