



Instruction Manual Book

Item code: BH175

VIPER JET MKII

Glow and EP

95% PRE BUILT
ARF
ALMOST READY TO FLY



**ALL Balsa - Ply Wood Construction
Covered in a Heat-Shrink Film with Printed.
Not including Electric Retract Gear
Only including CNC Suspension Metal Struts.**

95% ALMOST READY TO FLY

SPECIFICATION:

- Wingspan: 1,885mm (74.21 in).
- Length: 1,820mm (71.65 in).
- Weight: 8.9 - 9.1kg (19.58 - 20 lbs).
- Wing area: 62.2dm².
- Wing loading: 143.1g/dm².
- Wing type: Naca Airfoil.
- Gear type: Electric retract gear,
size: (92.55 x 51 x 35.1)mm (not included).
CNC Suspension Metal Struts (included).

Parts listing required (not included):

- Radio: 8 channels minimum.
- Servo: 8 standard high torque servos, size: (33 x 17)mm.
- Engine: EDF 120mm.
- Battery: 10S - 12S LIPO 37V- 44.4 V.
- ESC: 160A.

Recommended EDF and Battery set up (not included):

- Engine: Ducted Fan EDF JETFAN-120 eco
Ejets+ HET 800-68-685.
- Battery: 12S LIPO – 44.4 V ≥ 6000mAh 40C.
- Or Engine: Ducted Fan EDF Schubeler
DS-86-AXI HDS 120mm + TP 5660-9D motor.
- Battery: 10S LIPO - 37V ≥ 6000mAh 40C.
- ESC: 160A Phoenix Castle.

TABLE OF CONTENTS

▶ Introduction.....	2	▶ Installing the horizontal stabilizer linkages.....	22
▶ Warranty.....	3	▶ Installing the vertical stabilizer.....	25
▶ Disclaimer.....	3	▶ Installing the vertical stabilizer servo.....	26
▶ Safety precaution.....	3	▶ Installing the vertical stabilizer linkages.....	28
▶ Important building notes.....	3	▶ Installing the nose gear retract.....	32
▶ Suggestion.....	3	▶ Installing the edf and lip of air inlet and outlet.....	37
▶ Flight warnings.....	3	▶ Secure the wing to the fuselage.....	43
▶ Covering tools.....	4	▶ Installing the receiver and battery.....	45
▶ Adhesives and required tools.....	4	▶ Installing the swith.....	45
▶ Academy of Model Aeronautics National Model Aircraft Safety Code.....	4	▶ Installing cockpit fuselage.....	46
▶ Parts listing (not included).....	6	▶ Balacing.....	48
▶ Tools & supplies needed.....	6	▶ Lateral balance.....	48
▶ Symbols used throughout this instruction manual comprise.....	6	▶ Control throws.....	50
▶ Preparations.....	8	▶ Flight preparation pre flight check.....	50
▶ Installing the ailerons and flaps.....	8	▶ For your radio installation Basic connection for airplane And adjustment of servos.....	51
▶ Installing the aileron and flap servo.....	9	▶ Main gear dimensional detail.....	52
▶ Installing the aileron and flap linkages.....	11	▶ Decoration.....	53
▶ Installing main gear.....	13	▶ Exploded view.....	54
▶ Electric gear retracts.....	14		
▶ Installing horizontal stabilizer.....	18		
▶ Installing the horizontal stabilizer servo.....	19		

INTRODUCTION

Thank you for purchasing Black Horse Model products. With over 18 years experience in production and fly testing, Black Horse Model is committed to bring the best quality products and good service to customers. Along with a team of creative engineers and skilled workers, we will always accompany with customers by our great experiences, fully enthusiasm... which will burn our passion!! Joining with us to explore and conquer challenges in the sky ...

Your satisfaction is our success. Please read through this manual before starting construction.

Academy of Model Aeronautics: If you are not already a member of the AMA, please join! The AMA is the governing body of model aviation and membership provides liability insurance coverage, protects modelers' rights and interests and is required to fly at most R/C sites.

Academy of ModelAeronautics
5151 East Memorial Drive Muncie IN 47302-9252

Tele. (800) 435-9262
Fax. (765) 741-0057

Or via the Internet at: <http://www.modelaircraft.org>



WARRANTY

Black Horse Model guarantees the component parts in this kit to be free from defects in both material and workmanship at the date of purchase by the purchaser.

This warranty does not cover cosmetic damage or damage due to acts of God, accident, misuse, abuse, negligence, commercial use, or modification of or to any part of the Product.

This warranty does not cover damage due to improper installation, operation, maintenance, or attempted repair by anyone other than Black Horse Model.

Further, Black Horse Model reserves the right to change or modify this warranty without notice.

DISCLAIMER

Read this disclaimer carefully before using this product. Please strictly follow the instruction manual to assemble and use this.

In that Black Horse Model has no control over the final assembly or material used for final assembly, Black Horse Model is not responsible for loss of use, or other incidental or consequential damages.

Furthermore, Black Horse Model cannot be held liable for personal injury or property damage caused by the use or misuse of Black Horse Model products. By the act of using the user-assembled products, the user accepts all resulting liability.

SAFETY PRECAUTION

- This is not a toy and pilots must be over the age of 14
- Be sure that no other flyers are using your radio frequency.
- Do not smoke near fuel
- Store fuel in a cool, dry place, away from children and pets.
- Wear safety glasses.
- The glow plug clip must be securely attached to the glow plug.
- Do not flip the propeller with your fingers.
- Keep loose clothing and wires away from the propeller.
- Do not start the engine if people are near. Do not stand in line with the side of the propeller.
- Make engine adjustments from behind the propeller only. Do not reach around the spinning propeller.
- Moisture causes damage to electronics. Avoid water exposure to all equipment not specifically designed and protected for this purpose.

IMPORTANT BUILDING NOTES

- Please trial fit all the parts. Make sure you have the correct parts and that they fit and are aligned properly before gluing! This will assure proper assembly. This kit is hand made from natural materials, every plane is unique and minor adjustments may have to be made. However, you should find the fit superior and assembly simple.
- The painted and plastic parts used in this kit are fuel proof. However, they are not tolerant of many harsh chemicals including the following: paint thinner, C/A glue accelerator, C/A glue debonder and acetone. Do not let these chemicals come in contact with the colors on the covering and the plastic parts.
- Some parts included in this kit such as the cowl or wheel pants are made of fiberglass, the fibers of which may cause eye, skin and respiratory tract irritation. Never blow into a part to remove fiberglass dust, as the dust will blow back into your eyes. Always wear safety goggles, a particle mask and rubber gloves when grinding, drilling and sanding fiberglass parts. Vacuum the parts and the work area thoroughly after working with fiberglass parts.

SUGGESTION

To avoid scratching your new airplane, do not unwrap the pieces until they are needed for assembly. Cover your workbench with an old towel or brown paper, both to protect the aircraft and to protect the table. Keep a couple of jars or bowls handy to hold the small parts after you open the bag.

FLIGHT WARNINGS

- Always operate in open areas, away from factories, hospitals, schools, buildings and houses etc.
- NEVER fly your aircraft close to people or built up areas.
- NEVER fly near power lines, aerials or other dangerous areas including airports, motorways etc.
- NEVER fly in wet conditions or on windy or stormy days.
- ALWAYS adjust the engine from behind the propeller, and do not allow any part of your body to be in line with the propeller.
- THE PROPELLER IS DANGEROUS Keep fingers, clothing (ties, shirt sleeves, scarves) or any other loose objects that could be caught or drawn in, away from the propeller. Take care at ALL times.
- NEVER use damaged or deformed propellers or spinners.
- Keep all onlookers (especially small children and animals) well back from the area of operation. This is a flying aircraft, which will cause serious injury in case of impact with a person or animal.
- DO NOT dispose of empty fuel containers on a fire, this can lead to an explosion.

FLIGHT WARNINGS

- When ready to fly, first extend the transmitter aerial.
- Switch on the transmitter.
- Switch on the receiver.
- Check that the wings are correctly fitted to the fuselage.
- Operate the control sticks on the transmitter and check that the control surfaces move freely and in the CORRECT directions.
- Check that the transmitter batteries have adequate power.
- ALWAYS take off into the wind.
- If the model does not respond correctly to the controls, land it as soon as possible and correct the fault.
- ALWAYS land the model INTO the wind, this ensures that the model lands at the slowest possible speed.
- Switch off the receiver.
- Switch off the transmitter.
- Empty the fuel tank after flying, fuel left in the tank can cause corrosion and lead to engine problems.

COVERING TOOLS

- Top Flite® MonoKote® Sealing Iron
- Top Flite Hot Sock Iron Cover
- Top Flite MonoKote Trim Seal Iron
- Top Flite MonoKote Heat Gun

ADHESIVES AND REQUIRED TOOLS

- Thin CA
- 30-minute epoxy
- 6-minute epoxy
- Threadlocker thread locking cement
- Mixing sticks
- Mixing cups (GPMR8056)
- Epoxy brushes
- Denatured alcohol
- Canopy Glue
- Felt-tipped pen or pencil
- Flat screwdriver
- Adjustable wrench
- Drill
- Hobby knife
- Masking tape
- Phillips screwdriver (large)
- Phillips screwdriver (small)
- Ruler
- Sandpaper
- Soldering iron
- Solder
- Hex wrench
- Drill bit: 1/16-inch (1.5mm), 5/64-inch (2mm), 1/8-inch (3,2mm), 3/16-inch (4,8mm), 11/64-inch (4.5mm), 13/64-inch (5,2mm), 1/4-inch (6,4mm)

Academy of Model Aeronautics National Model Aircraft Safety Code

Effective January 1, 2014

A. GENERAL: A model aircraft is a non-human-carrying aircraft capable of sustained flight in the atmosphere. It may not exceed limitations of this code and is intended exclusively for sport, recreation, education and/or competition. All model flights must be conducted in accordance with this safety code and any additional rules specific to the flying site.

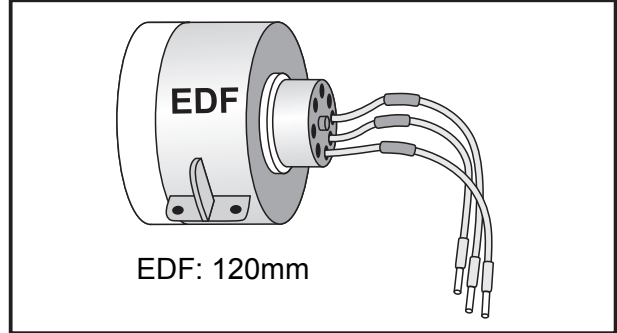
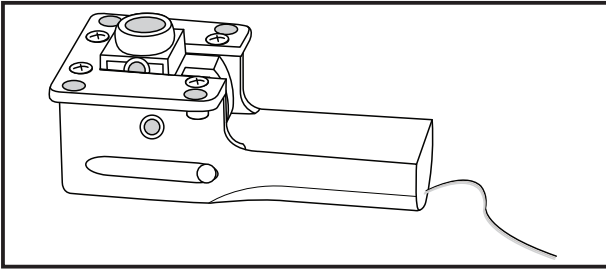
1. Model aircraft will not be flown:
 - (a) In a careless or reckless manner.
 - (b) At a location where model aircraft activities are prohibited.
2. Model aircraft pilots will:
 - (a) Yield the right of way to all human-carrying aircraft.
 - (b) See and avoid all aircraft and a spotter must be used when appropriate. (AMA Document #540-D.)
 - (c) Not fly higher than approximately 400 feet above ground level within three (3) miles of an airport without notifying the airport operator.
 - (d) Not interfere with operations and traffic patterns at any airport, heliport or seaplane base except where there is a mixed use agreement.
 - (e) Not exceed a takeoff weight, including fuel, of 55 pounds unless in compliance with the AMA Large Model Airplane program. (AMA Document 520-A.)
 - (f) Ensure the aircraft is identified with the name and address or AMA number of the owner on the inside or affixed to the outside of the model aircraft. (This does not apply to model aircraft flown indoors.)
 - (g) Not operate aircraft with metal-blade propellers or with gaseous boosts except for helicopters operated under the provisions of AMA Document #555.
 - (h) Not operate model aircraft while under the influence of alcohol or while using any drug that could adversely affect the pilot's ability to safely control the model.
 - (i) Not operate model aircraft carrying pyrotechnic devices that explode or burn, or any device which propels a projectile or drops any object that creates a hazard to persons or property.

Exceptions:

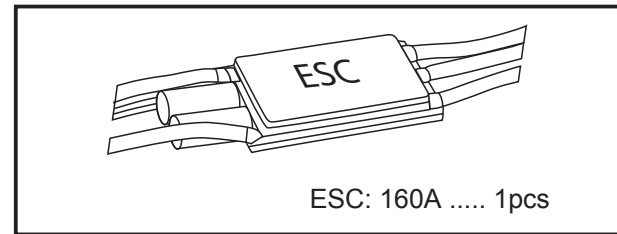
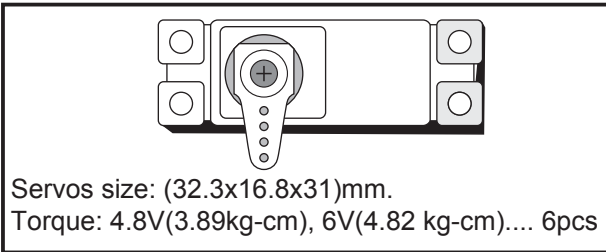
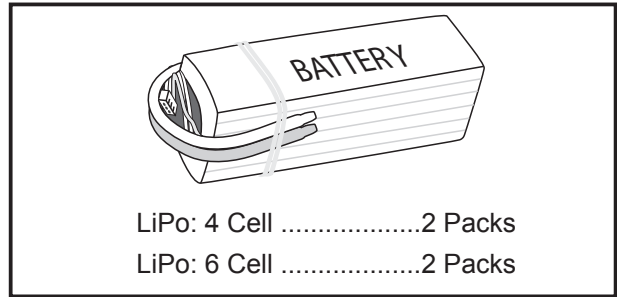
- Free Flight fuses or devices that burn producing smoke and are securely attached to the model aircraft during flight.
- Rocket motors (using solid propellant) up to a G-series size may be used provided they remain attached to the model during flight. Model rockets may be flown in accordance with the National Model Rocketry Safety Code but may not be launched from model aircraft.

- Officially designated AMA Air Show Teams (AST) are authorized to use devices and practices as defined within the Team AMA Program Document. (AMA Document #718.)
- (j) Not operate a turbine-powered aircraft, unless in compliance with the AMA turbine regulations. (AMA Document #510-A.)
- 3. Model aircraft will not be flown in AMA sanctioned events, air shows or model demonstrations unless:
 - (a) The aircraft, control system and pilot skills have successfully demonstrated all maneuvers intended or anticipated prior to the specific event.
 - (b) An inexperienced pilot is assisted by an experienced pilot.
- 4. When and where required by rule, helmets must be properly worn and fastened. They must be OSHA, DOT, ANSI, SNELL or NOCSAE approved or comply with comparable standards.
- B. RADIO CONTROL (RC)
 1. All pilots shall avoid flying directly over unprotected people, vessels, vehicles or structures and shall avoid endangerment of life and property of others.
 2. A successful radio equipment ground-range check in accordance with manufacturer's recommendations will be completed before the first flight of a new or repaired model aircraft.
 3. At all flying sites a safety line(s) must be established in front of which all flying takes place. (AMA Document #706.)
 - (a) Only personnel associated with flying the model aircraft are allowed at or in front of the safety line.
 - (b) At air shows or demonstrations, a straight safety line must be established.
 - (c) An area away from the safety line must be maintained for spectators.
 - (d) Intentional flying behind the safety line is prohibited.
 4. RC model aircraft must use the radio-control frequencies currently allowed by the Federal Communications Commission (FCC). Only individuals properly licensed by the FCC are authorized to operate equipment on Amateur Band frequencies.
 5. RC model aircraft will not knowingly operate within three (3) miles of any pre-existing flying site without a frequency-management agreement. (AMA Documents #922 and #923.)
 6. With the exception of events flown under official AMA Competition Regulations, excluding takeoff and landing, no powered model may be flown outdoors closer than 25 feet to any individual, except for the pilot and the pilot's helper(s) located at the flightline.
 7. Under no circumstances may a pilot or other person touch an outdoor model aircraft in flight while it is still under power, except to divert it from striking an individual.
 8. RC night flying requires a lighting system providing the pilot with a clear view of the model's attitude and orientation at all times. Hand-held illumination systems are inadequate for night flying operations.
 9. The pilot of an RC model aircraft shall:
 - (a) Maintain control during the entire flight, maintaining visual contact without enhancement other than by corrective lenses prescribed for the pilot.
 - (b) Fly using the assistance of a camera or First-Person View (FPV) only in accordance with the procedures outlined in AMA Document #550.
 - (c) Fly using the assistance of autopilot or stabilization system only in accordance with the procedures outlined in AMA Document #560.
- C. FREE FLIGHT
 1. Must be at least 100 feet downwind of spectators and automobile parking when the model aircraft is launched.
 2. Launch area must be clear of all individuals except mechanics, officials, and other fliers.
 3. An effective device will be used to extinguish any fuse on the model aircraft after the fuse has completed its function.
- D. CONTROL LINE
 1. The complete control system (including the safety thong where applicable) must have an inspection and pull test prior to flying.
 2. The pull test will be in accordance with the current Competition Regulations for the applicable model aircraft category.
 3. Model aircraft not fitting a specific category shall use those pull-test requirements as indicated for Control Line Precision Aerobatics.
 4. The flying area must be clear of all utility wires or poles and a model aircraft will not be flown closer than 50 feet to any above-ground electric utility lines.
 5. The flying area must be clear of all nonessential participants and spectators before the engine is started.

PARTS LISTING (NOT INCLUDED).



- Servo extension leads.
- 2 pcs.
 - 1 pcs.
 - 720mm 3 pcs.
 - 330mm 2 pcs.
 - 190mm 8 pcs.



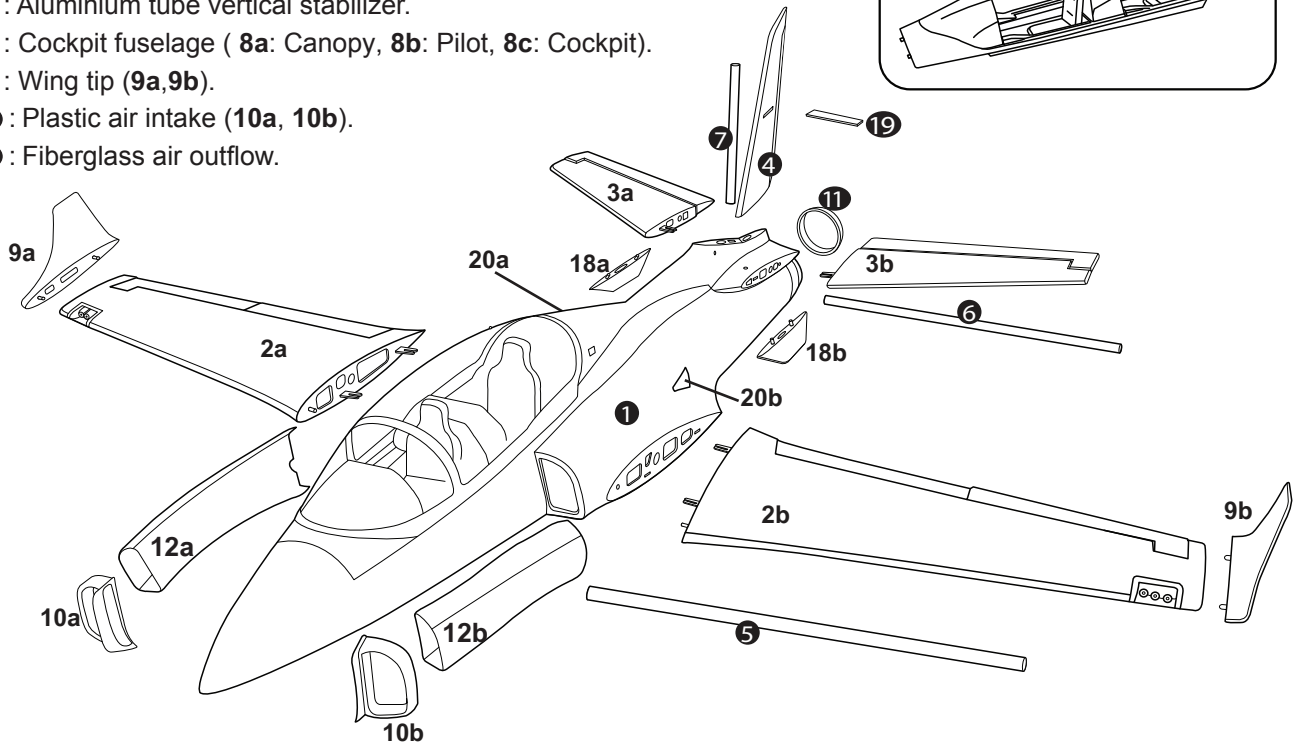
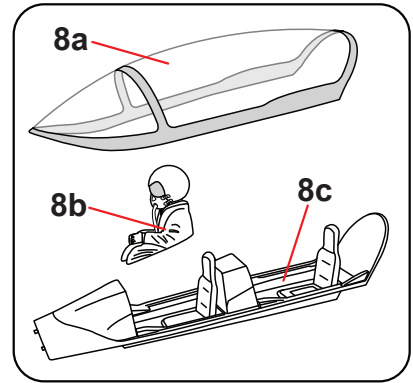
TOOLS & SUPPLIES NEEDED

CA Medium C/A glue	Straight edge ruler.	EPOXY A EPOXY B 30 minute epoxy. 5 minute epoxy.	Hex Wrench.	Hand or electric drill.
Threadlocker (screw cement).	2 bender plier	Screw driver	Some more tools. ■ Assorted drill bits. ■ Masking tape. ■ Paper towels. ■ Rubbing alcohol ■ 90° square or builder's triangle.	
Modeling knife.	Wire cutters.			

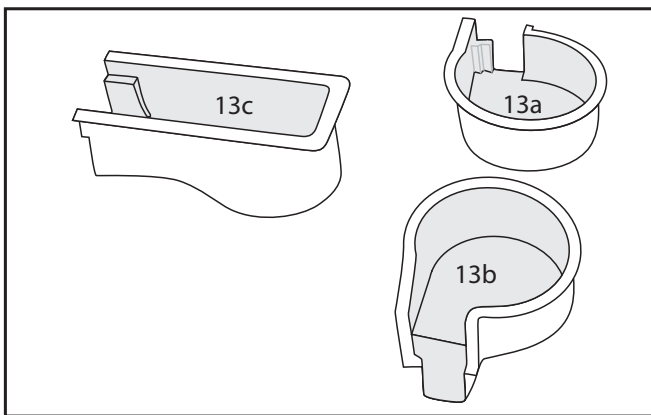
Symbols used throughout this instruction manual, comprise:

Cut off excess.	Apply threadlocker (screw cement).	Must be purchased separately!
Cut off shaded portion carefully.	Apply instant glue (C.A glue, super glue).	Ensure smooth, non-binding movement when assembling.
Pay close attention here.	Apply epoxy glue.	Drill holes using the stated. (in this case 1.5mm Ø).
Take particular care here.	Assemble left and right sides the same way.	The number of times the same way Assembly (in this case twice).
Warning! ▶ Set all screws securely. If they come off during flight you will lose control of your aircraft!		

- ① : Fuselage.
- ② : Wing panel (2a, 2b).
- ③ : Horizontal stabilizer (3a, 3b).
- ④ : Vertical stabilizer.
- ⑤ : Aluminium wing dihedral brace.
- ⑥ : Aluminium tube horizontal stabilizer.
- ⑦ : Aluminium tube vertical stabilizer.
- ⑧ : Cockpit fuselage (8a: Canopy, 8b: Pilot, 8c: Cockpit).
- ⑨ : Wing tip (9a,9b).
- ⑩ : Plastic air intake (10a, 10b).
- ⑪ : Fiberglass air outflow.

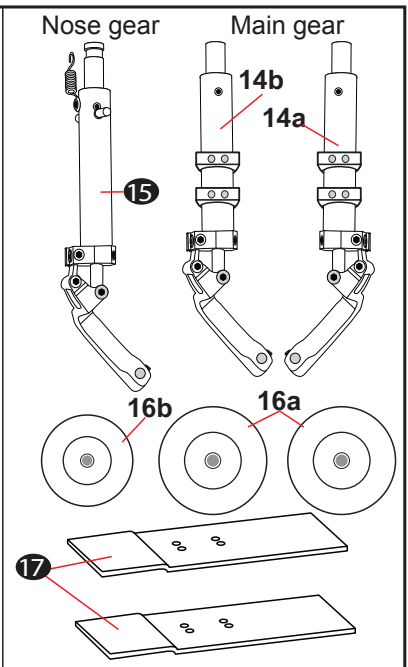


- ⑫ : Fiberglass intake (12a,12b).
- ⑬ : Wheel well (13a, 13b, 13c).
- ⑭ : Main gear struts (14a, 14b).
- ⑮ : Nose gear truts.
- ⑯ : Wheels (16a, 16b).
- ⑰ : Door gear.
- ⑱ : Ply Wood part for the rear bottom fuselage (18a, 18b).
- ⑲ : Ply Wood part for rudder stab.
- ⑳ : Plastic air intake for cooling ESC (20a, 20b).





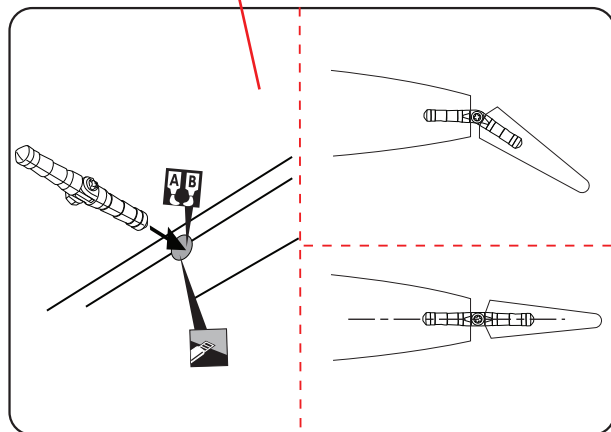
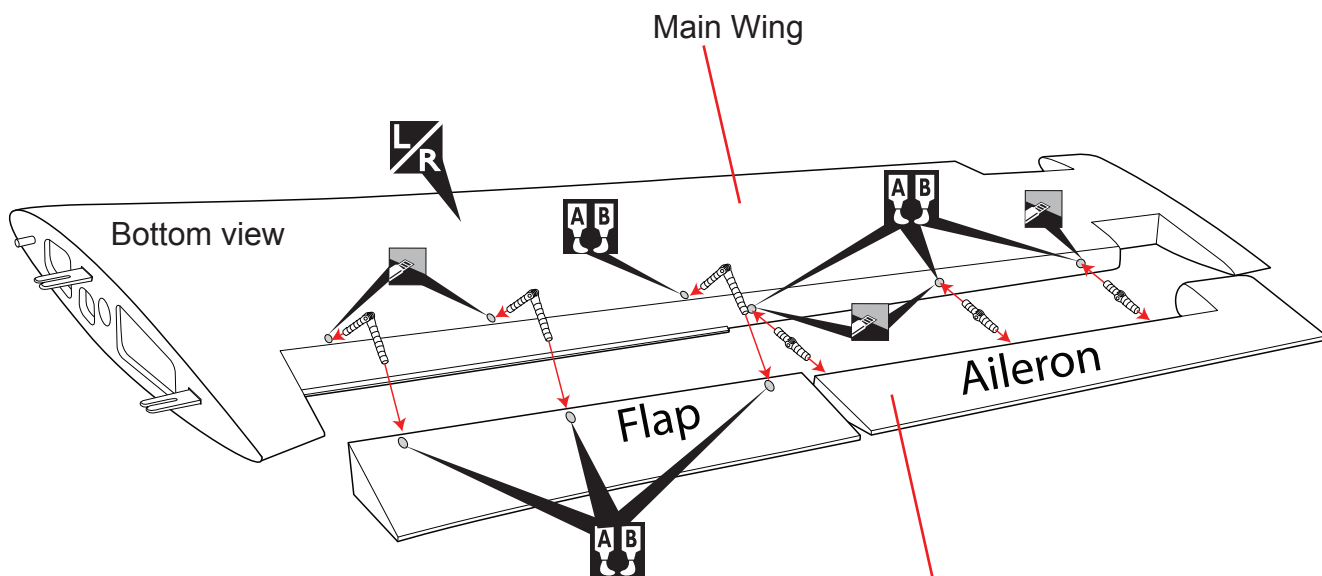
3x45mm Push rod	Ball link	3x12mm Cap Screw
3x40mm Push rod	Aluminum ball	3mm Hex Nut
2x40mm Push rod	2x10mm Tp Screw	Horn
Pinned hinge	3mm Flat Washer	Plastic air intake for cooling ESC
Pinned hinge		

3x20mm Cap screw	
5x35mm Socket Head Cap Screw	
5mm Flat washer	
3x6mm Button Screw	
Cable rod	
3mm Hex Nut	
3mm Hex Nut	
Cab link	
Metal Clevis	




INSTALLING THEAILERONS AND FLAPS


Pinned hinge	
	----- 6
	----- 6

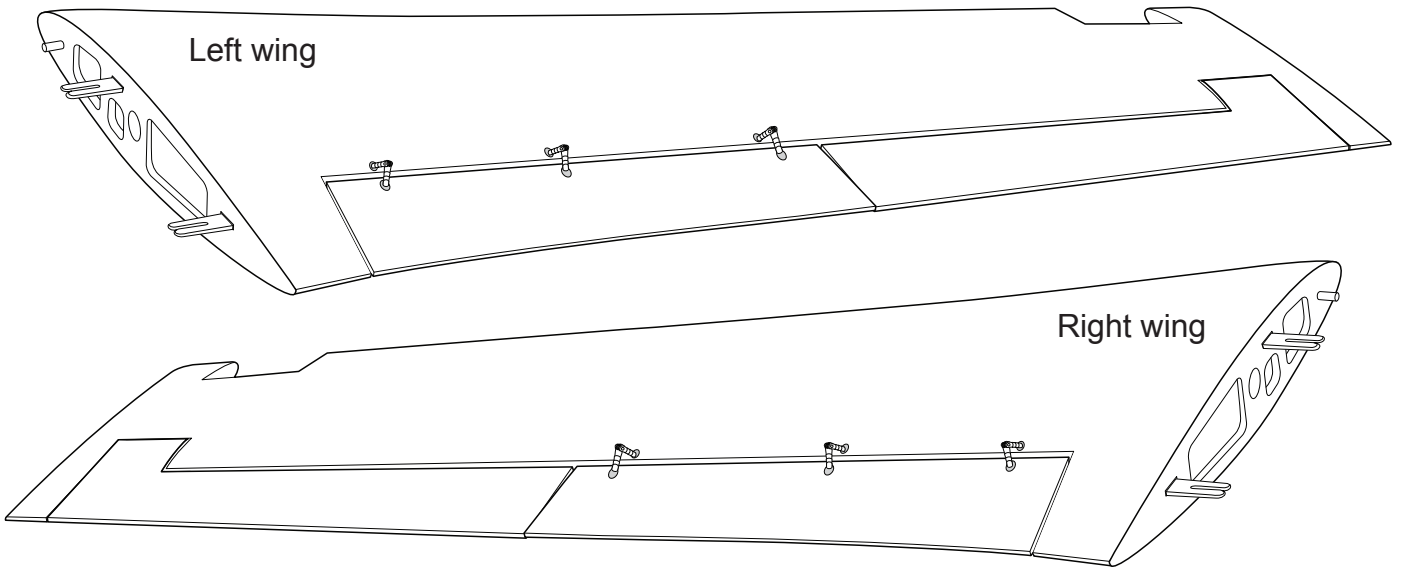


► Make certain the hinges are adequately secured with glue. If they come loose in flight accidents may result.

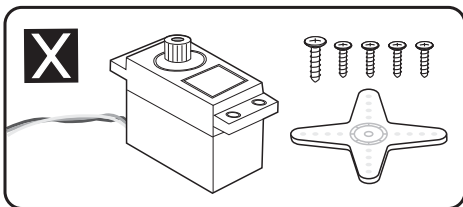
 Assemble left and right sides the same way.

 Apply epoxy glue

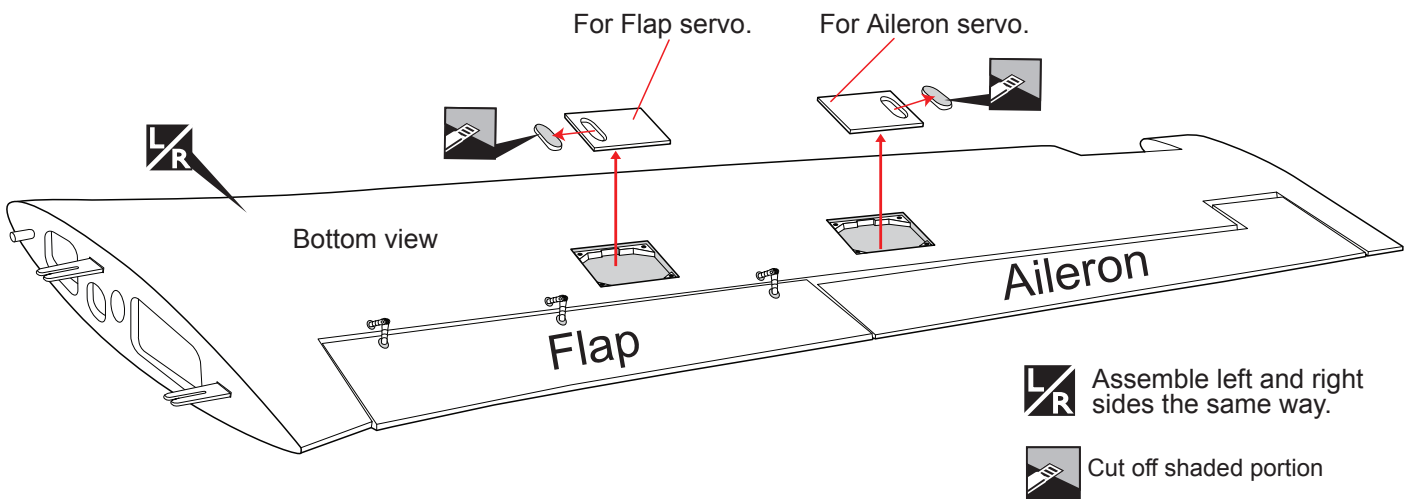
 Cut off shaded portion



INSTALLING THE AILERON AND FLAP SERVO



1. Install the rubber grommets and brass eyelets onto the aileron servo.
2. Using a modeling knife, remove the covering from over the pre-cut servo arm exit hole on the aileron servo tray / hatch. This hole will allow the servo arm to pass through when installing the aileron pushrods
3. Place the servo into the servo tray. Center the servo within the tray and drill pilot holes through the block of wood for each of the four mounting screws provided with the servo.
4. Using the thread as a guide and using masking tape, tape the servo lead to the end of the thread: carefully pull the thread out. When you have pulled the servo lead out, remove the masking tape and the servo lead from the thread.
5. Place the aileron servo tray / hatch into the servo box on the bottom of the wing and drill pilot holes through the tray and the servo box for each of the four mounting screws. Secure the servo tray in place using the mounting screws provided .
6. Repeat step # 2 - # 5 to install the second aileron servo in the opposite wing half.



x4

2mm
approx. 16mm

x4

Aileron and flap servos.

Aileron **Flap**

90° 60°

x2 For Flap.
L/R For Aileron.

1.5mm

x2 For Flap.
L/R For Aileron.

1.5mm

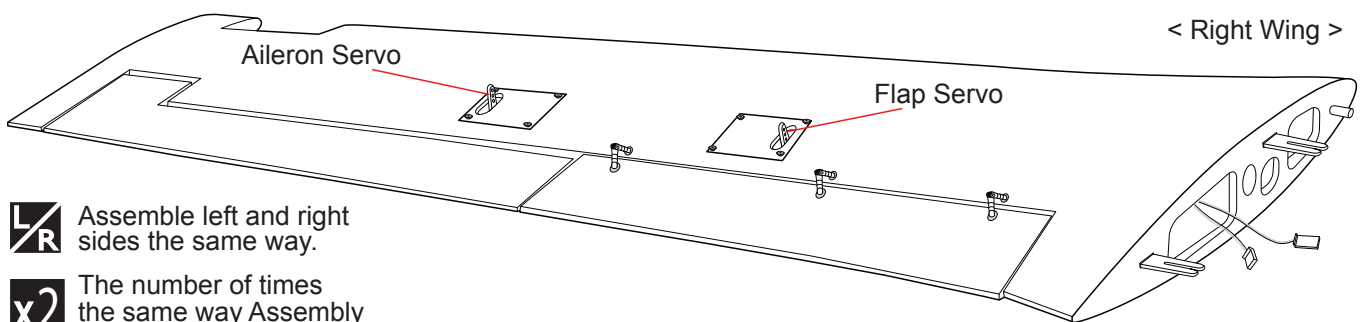
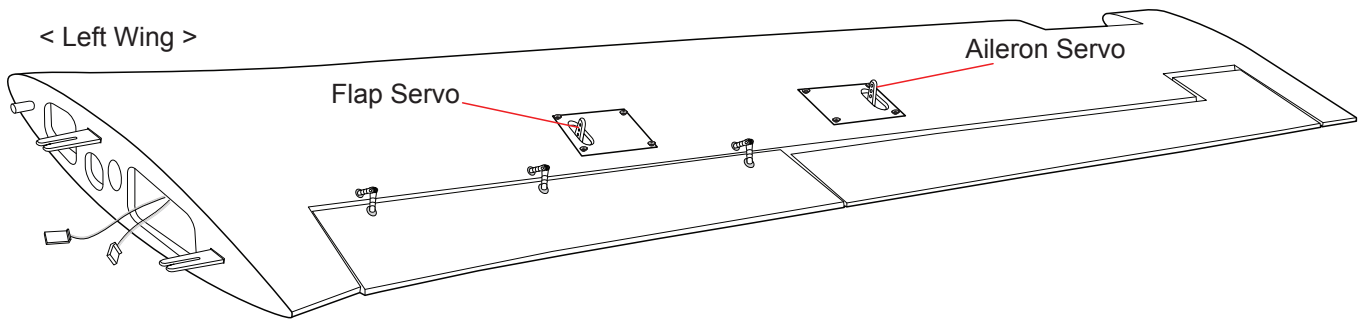
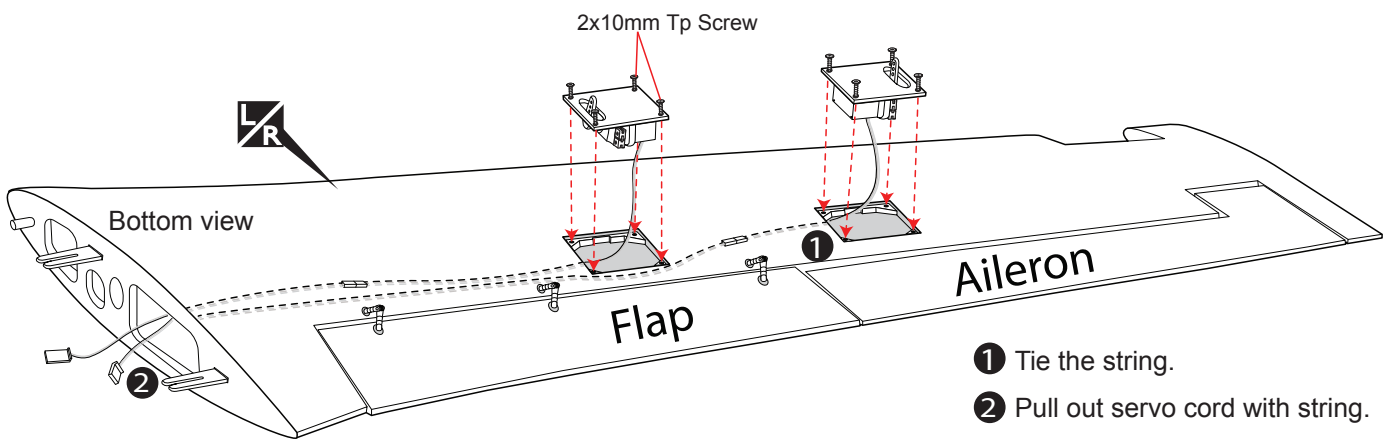
2x10mm Screw

2mm

2 x 10mm Tp Screw
 ----- 16



▶ Set all screws securely. If they come off during flight you will lose control of your aircraft!



L/R Assemble left and right sides the same way.

x2 The number of times the same way Assembly (in this case twice).

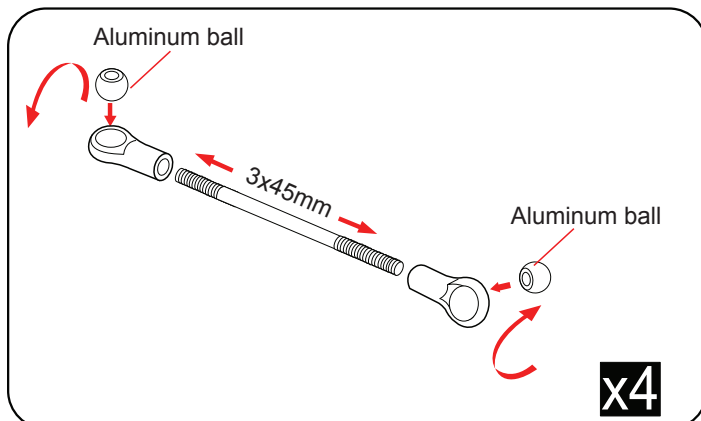
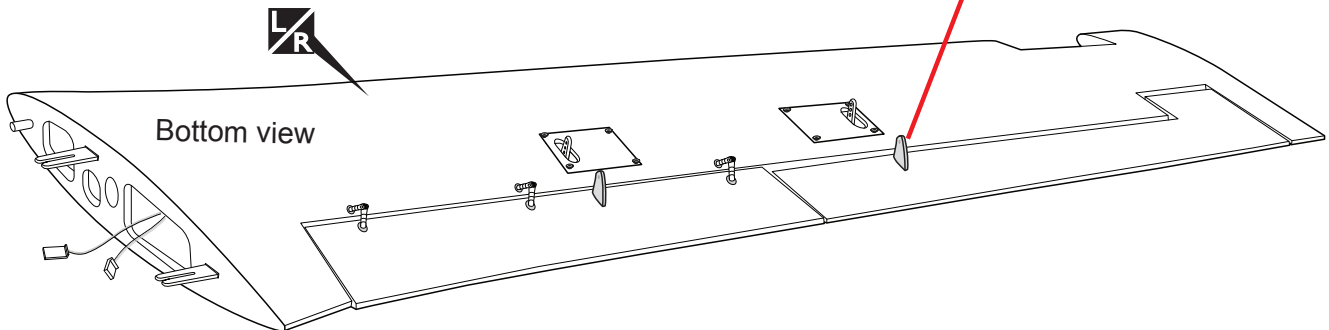
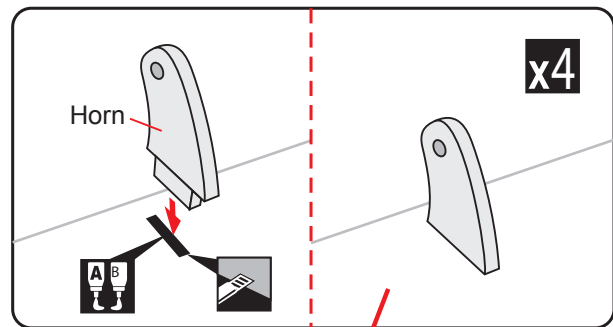
10 Drill holes using the stated. (in this case 1.5mm Ø).

Pay close attention here.

INSTALLING THE AILERON AND FLAP LINKAGES

1. Install the control horn into the aileron and flap.
2. Locate the metal rod wire, screw the plastic link ball onto the threaded end of the wire.
3. Plug the aileron and flap servo into the receiver and center the servo. Install the servo arm onto the servo. The servo arm should be perpendicular to the servo and point toward the middle of the wing.
4. Center the aileron and hold it in place using a couple of pieces of masking tape. Adjust the linkage until the aileron and the servo arm are both centered and then tighten the nut against. Remember use thread locking compound to secure.
5. Repeat step 1 - step 4 for the second aileron and flap linkage.

Aluminum ball	
	----- 8
	----- 8
3x45 mm Push rod	
	-- 4
3 x 12mm Cap Screw	
	----- 8
3mm Flat Washer	
	----- 8
Horn	
	----- 4
3mm Hex Nut	
	----- 8



Cut off shaded portion



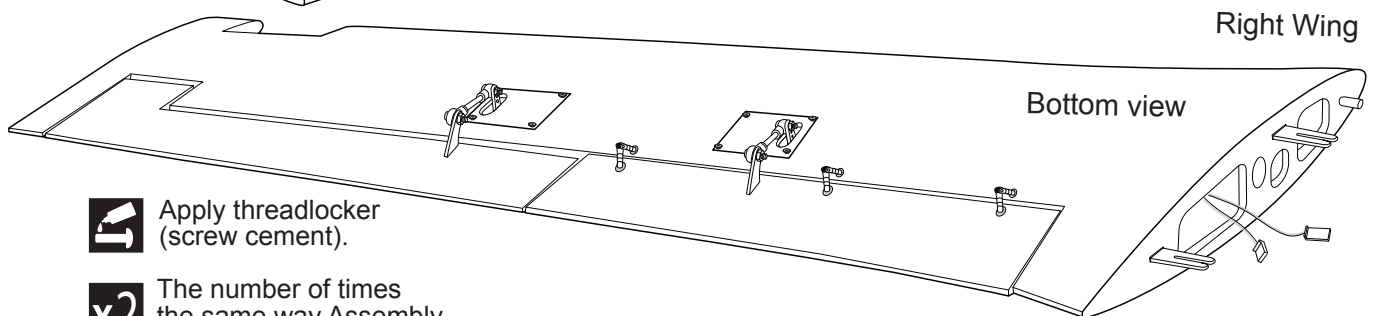
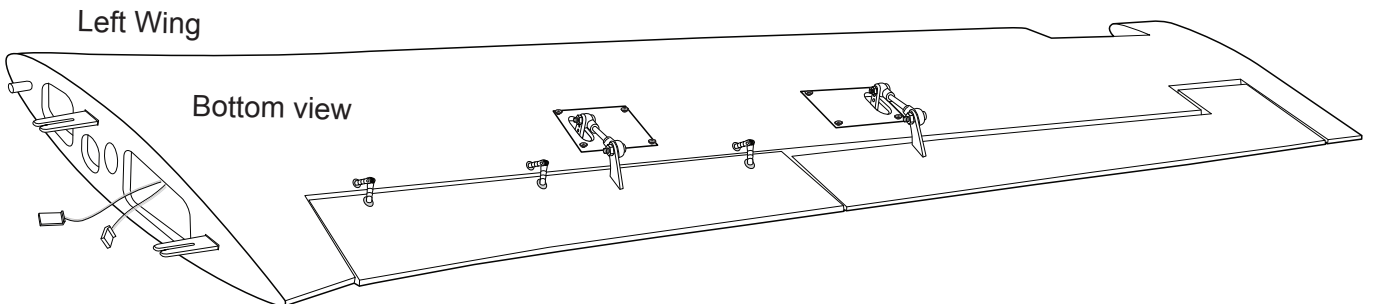
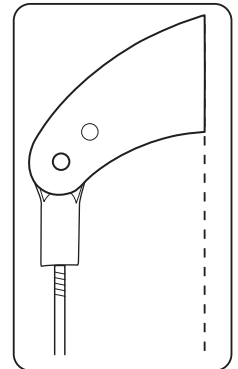
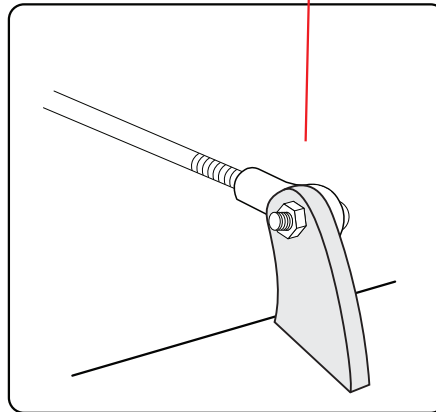
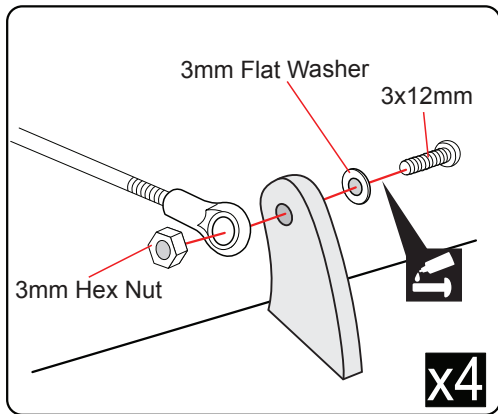
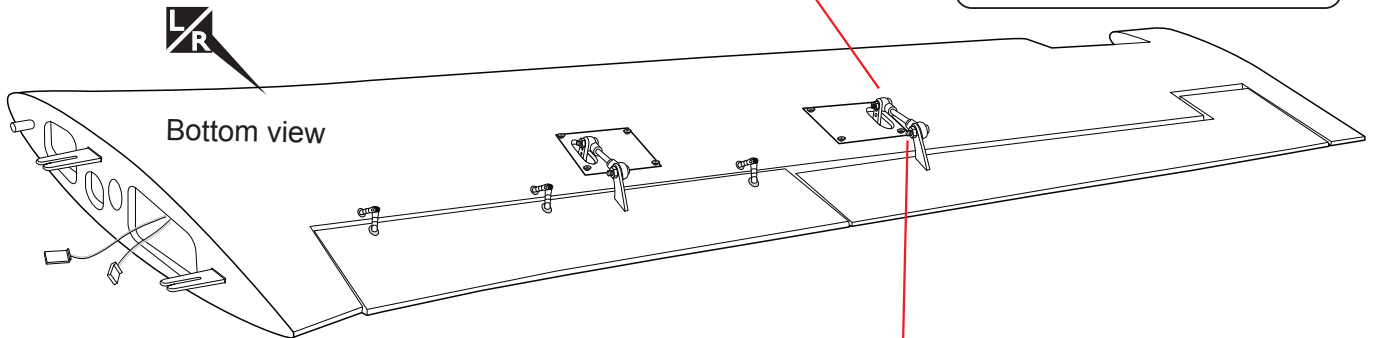
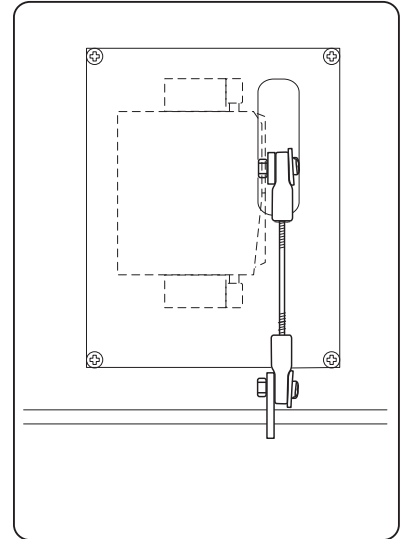
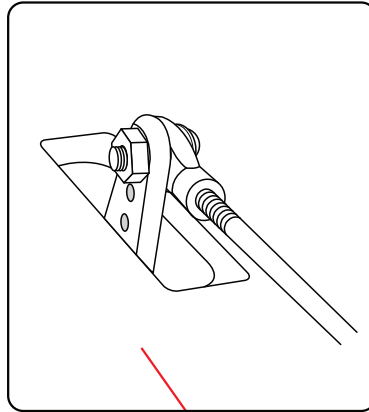
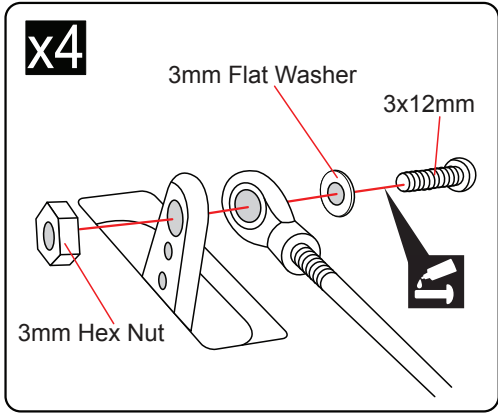
Assemble left and right sides the same way




The number of times the same way Assembly (in this case twice).



Apply epoxy glue.

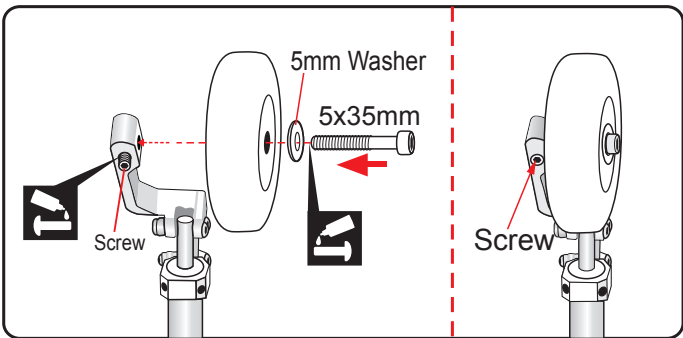
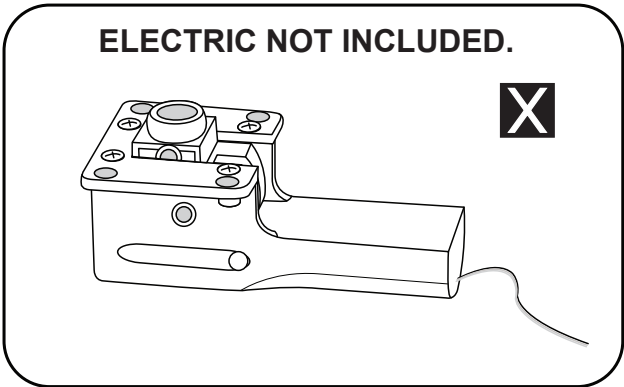
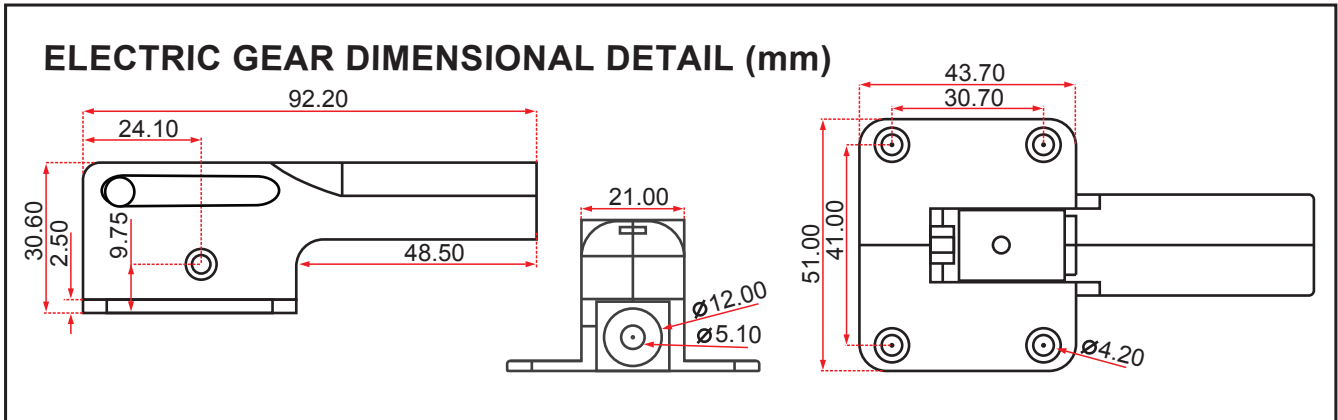


 Apply threadlocker (screw cement).

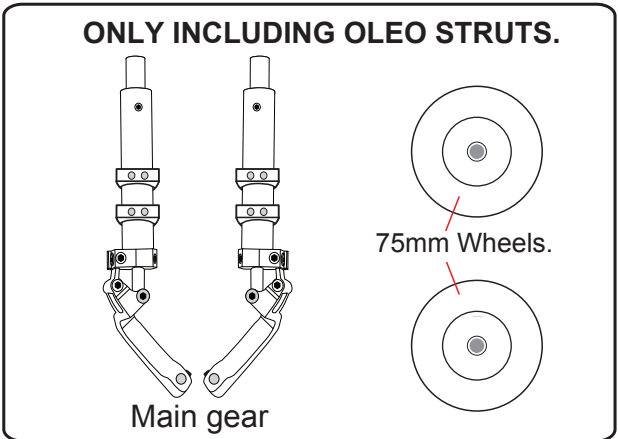
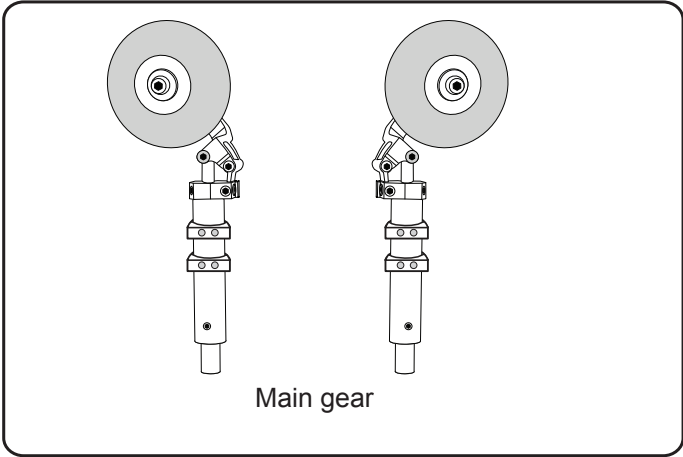
x2 The number of times the same way Assembly (in this case twice).

LR Assemble left and right sides the same way.

INSTALLING MAIN GEAR



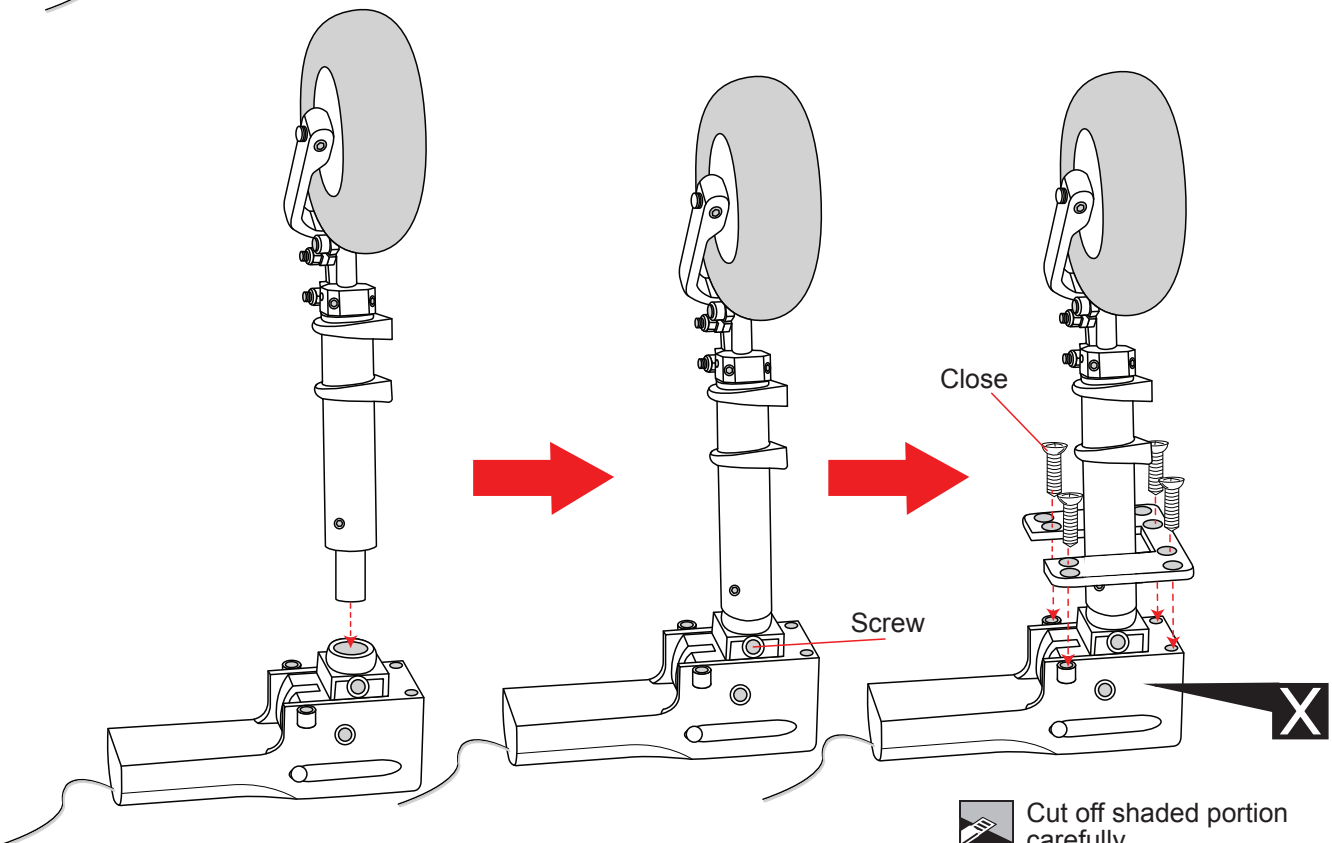
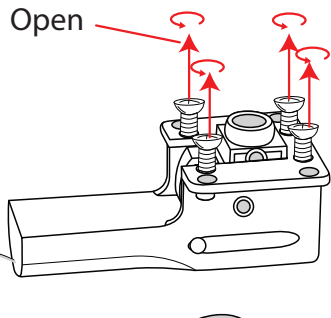
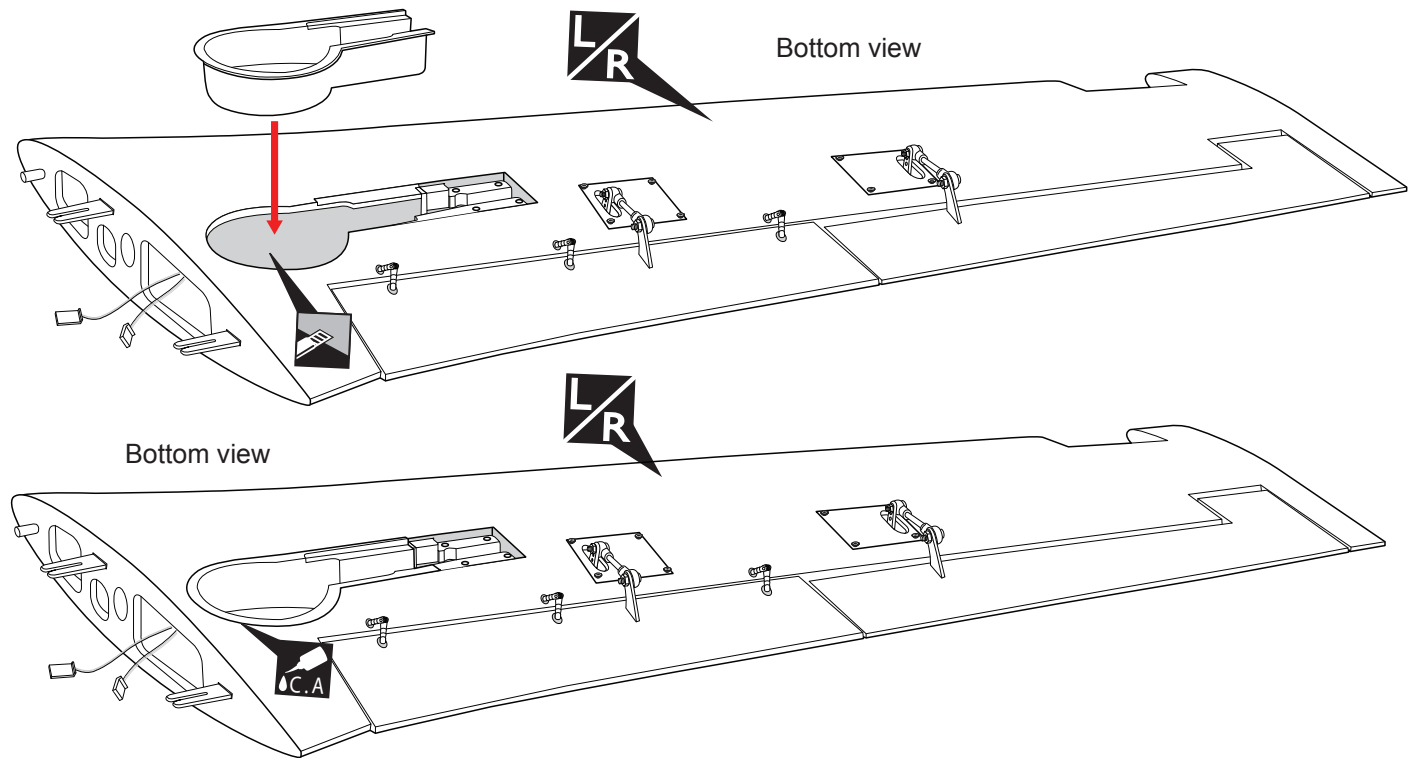
- | | |
|---------------------------------------|-------------------------|
| 3x20mm Cap screw
--- 8 | 3x4mm Setscrew
--- 2 |
| 5mm Flat washer
--- 2 | Door gear
--- 2 |
| 3x6mm Button screw
--- 8 | Wheel well
--- 2 |
| 5x35mm Socket Head Cap Screw
--- 2 | 75mm Wheels
--- 2 |





X Must be purchased separately!


T Apply threadlocker (screw cement).


ELECTRIC GEAR RETRACTS






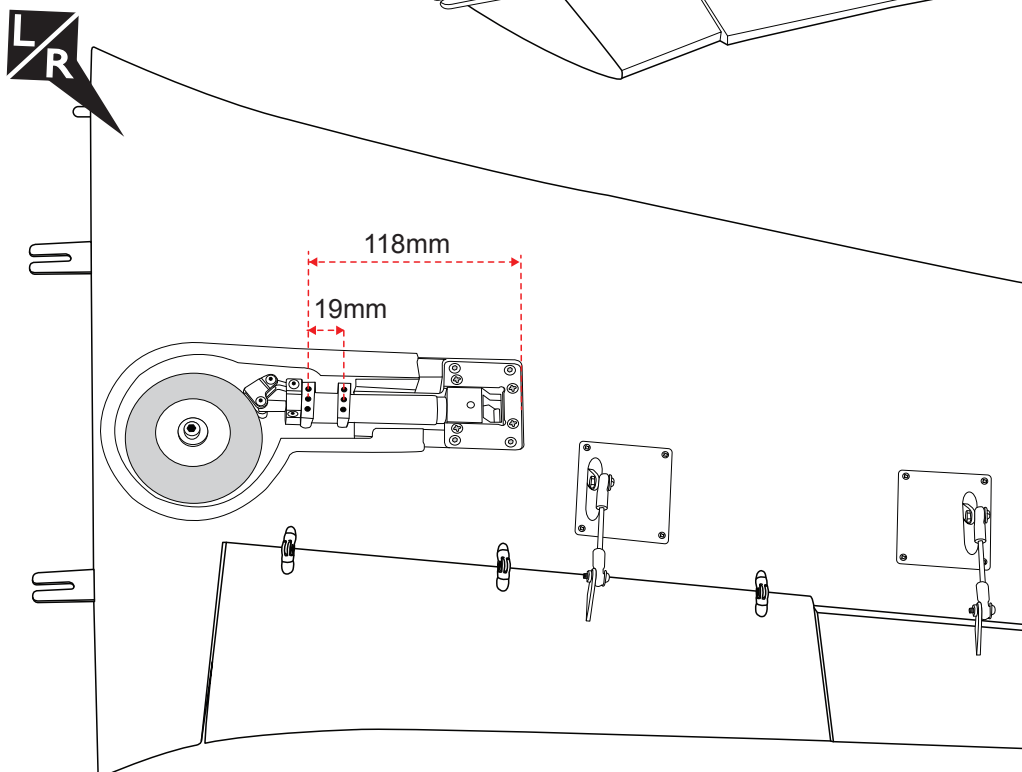
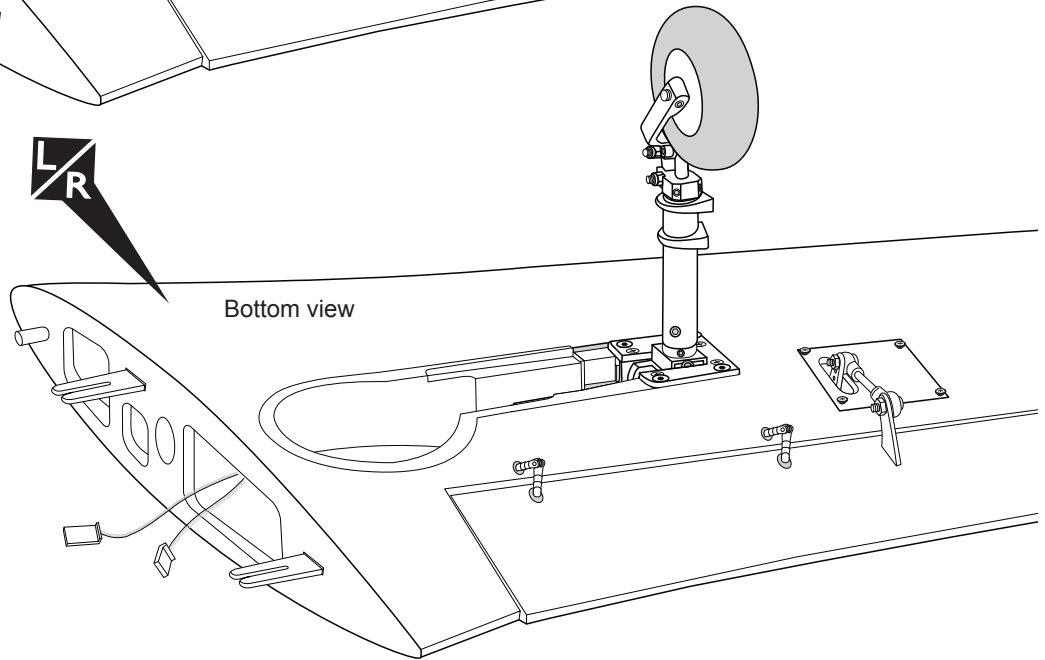
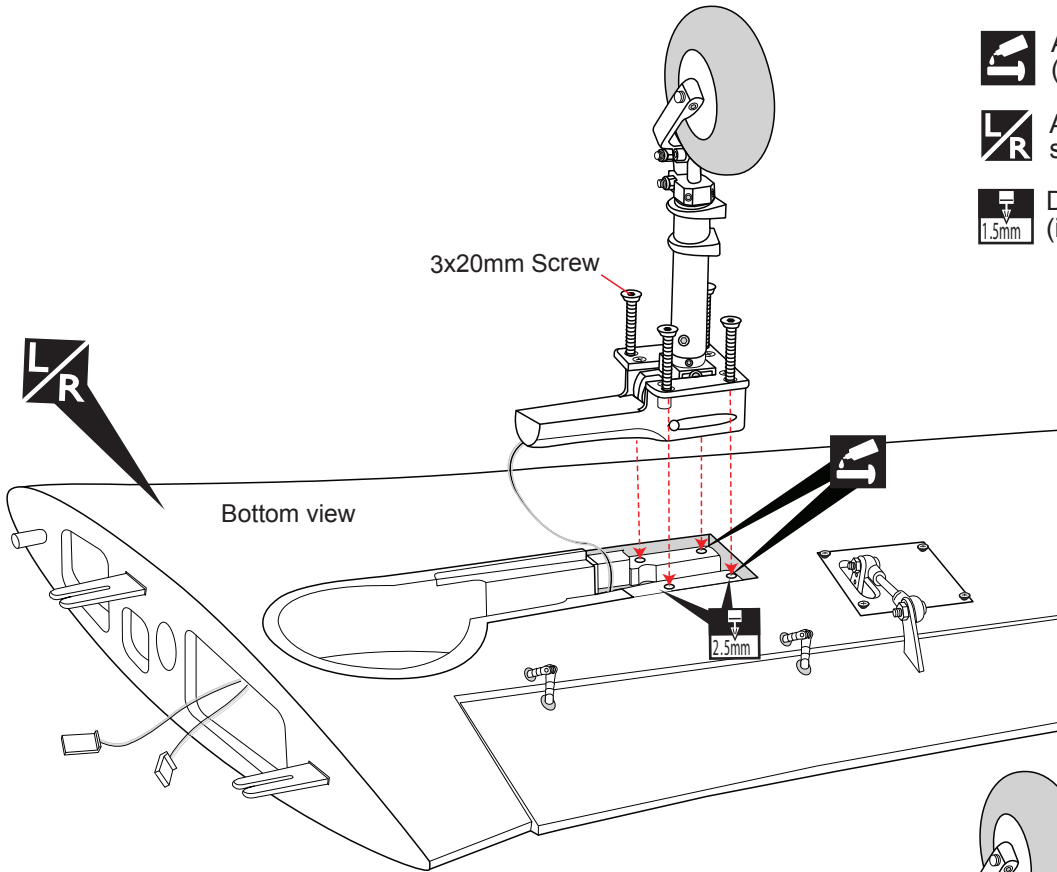
 Apply instant glue (C.A glue, super glue).

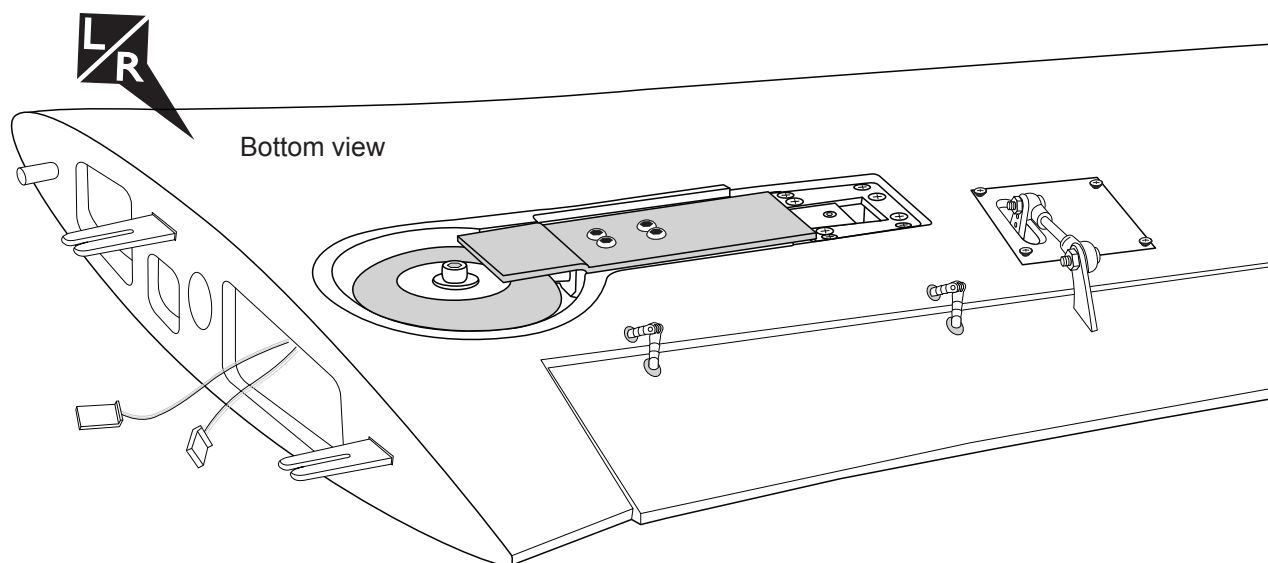
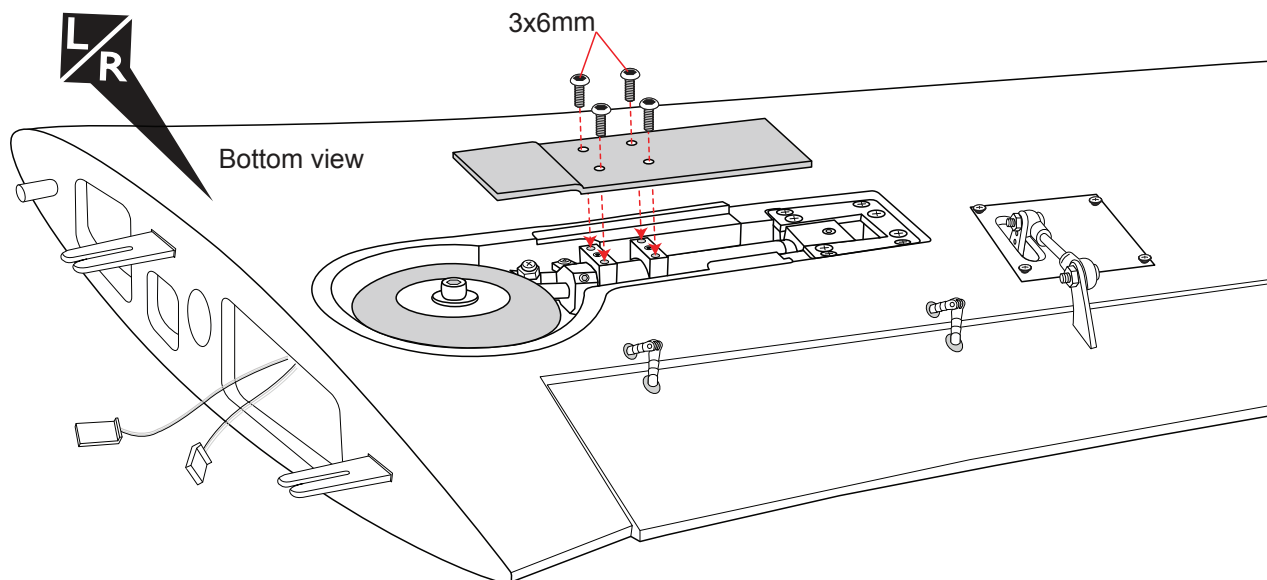
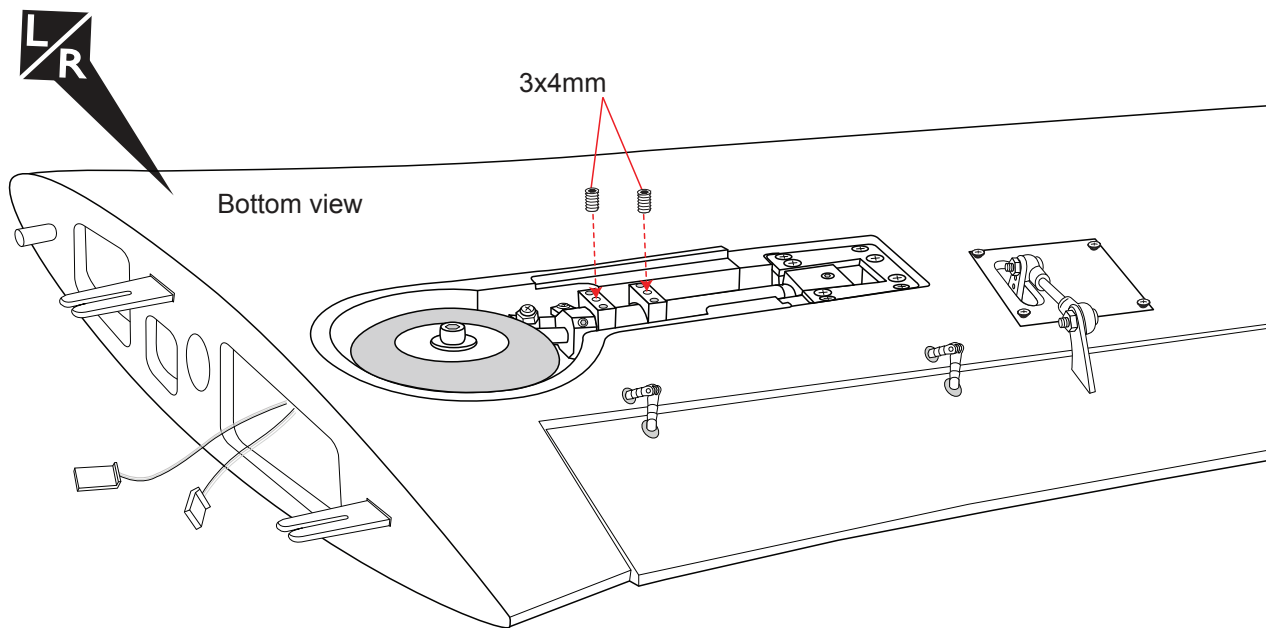
 Must be purchased separately!


 Cut off shaded portion carefully.

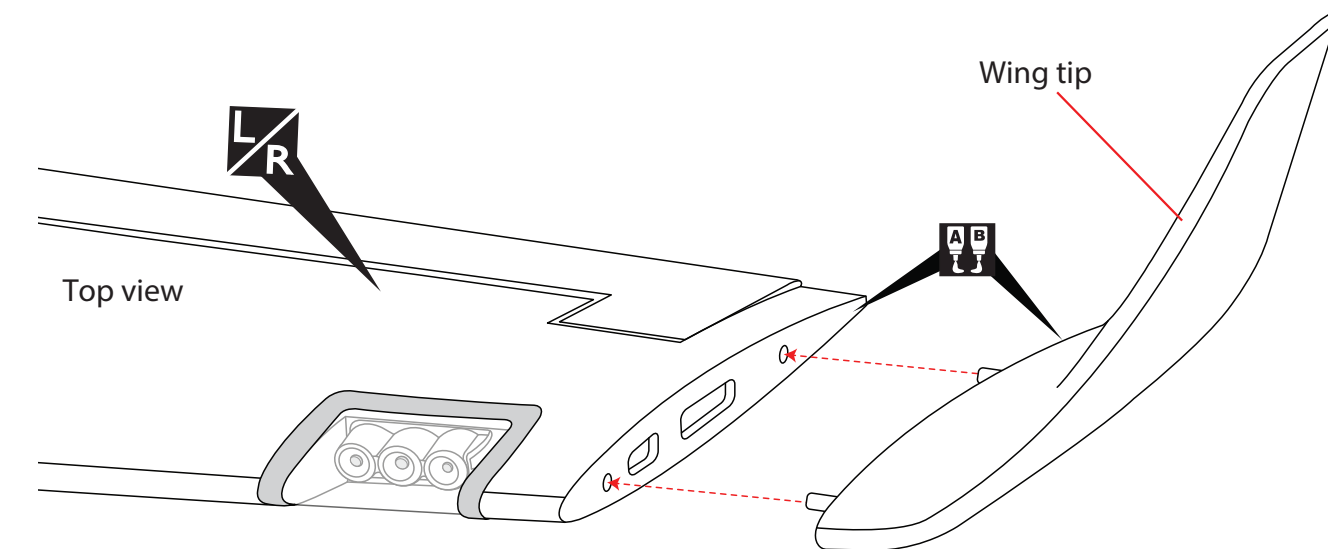
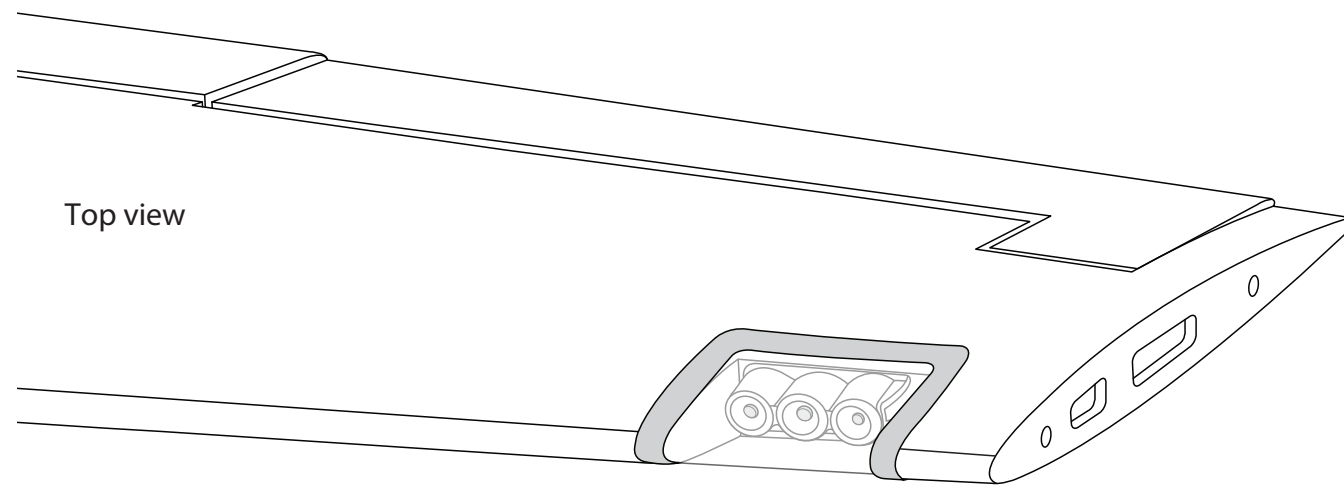
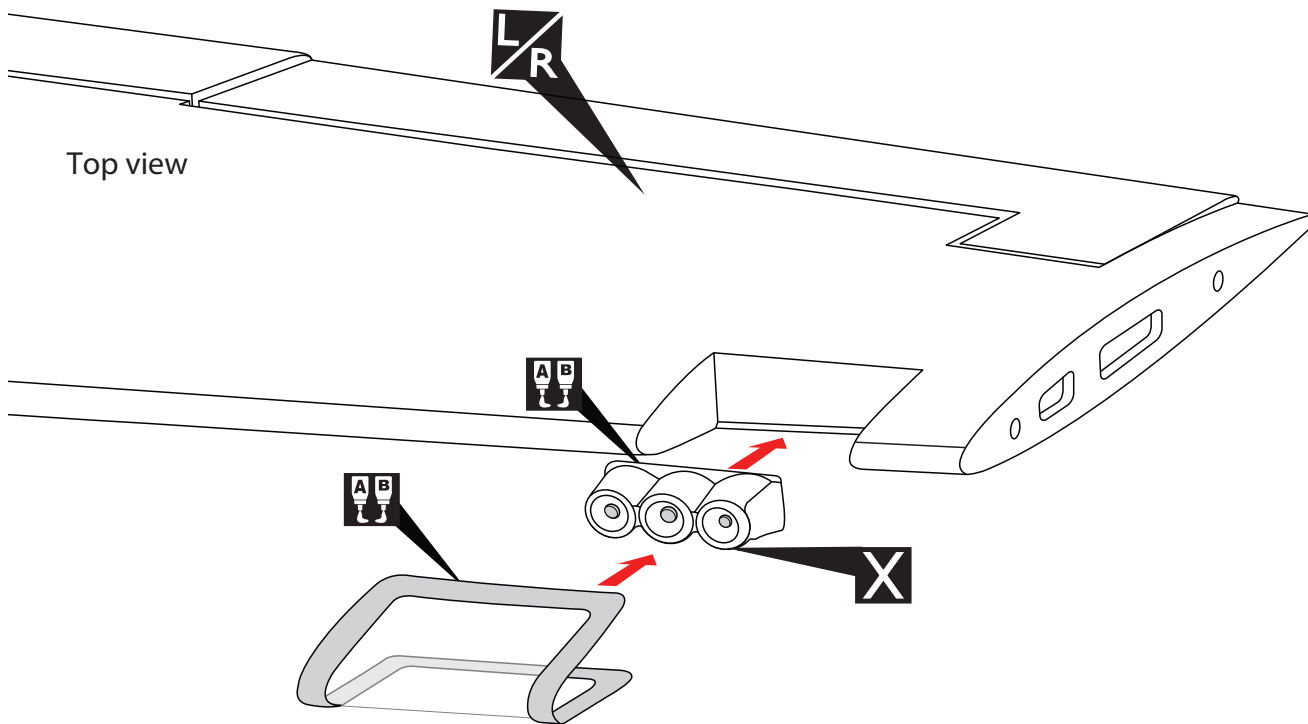
 Assemble left and right sides the same way.

-  Apply threadlocker (screw cement).
-  Assemble left and right sides the same way.
-  Drill holes using the stated. (in this case 1.5mm \varnothing).





 Assemble left and right sides the same way.



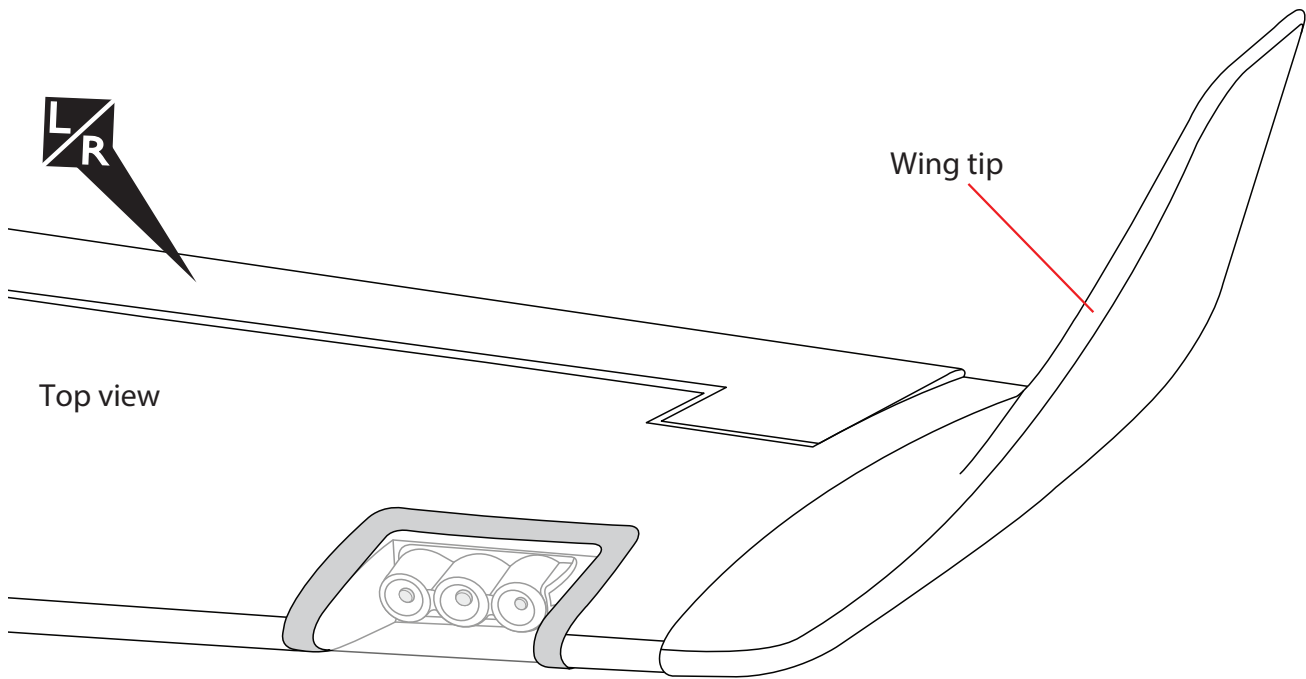
Apply epoxy glue.



Must be purchased separately!



Assemble left and right sides the same way.

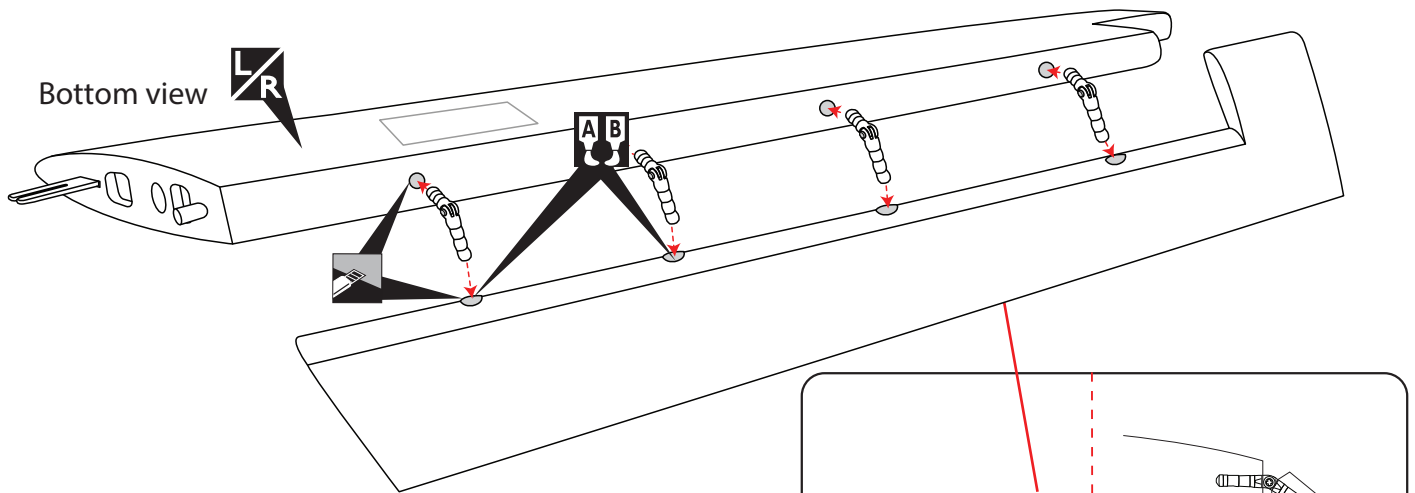


INSTALLING HORIZONTAL STABILIZER

Pinned hinge



8



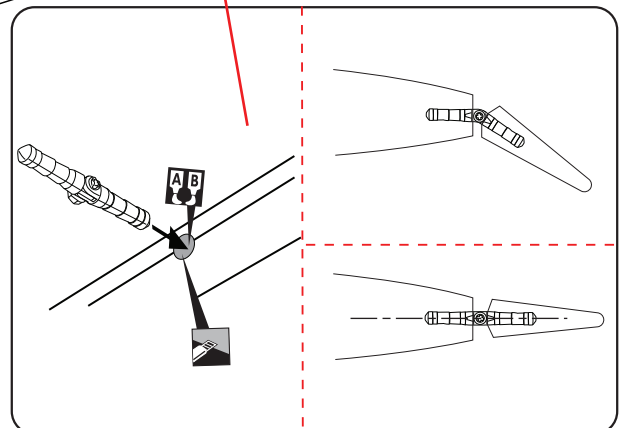
Apply epoxy glue.



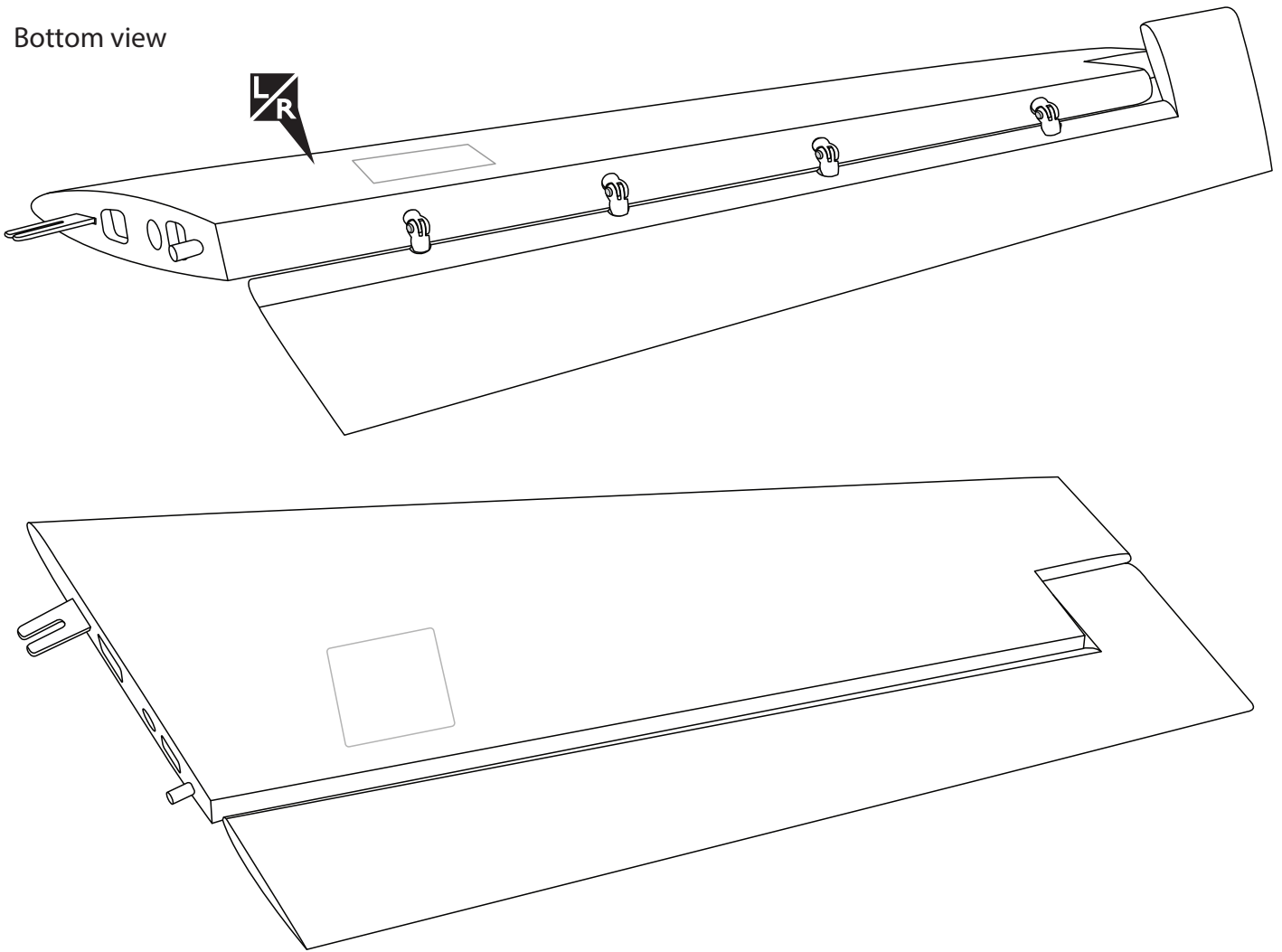
Assemble left and right sides the same way.



Cut off shaded portion carefully.

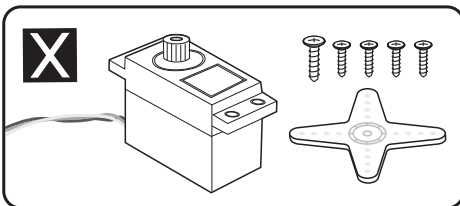


Bottom view



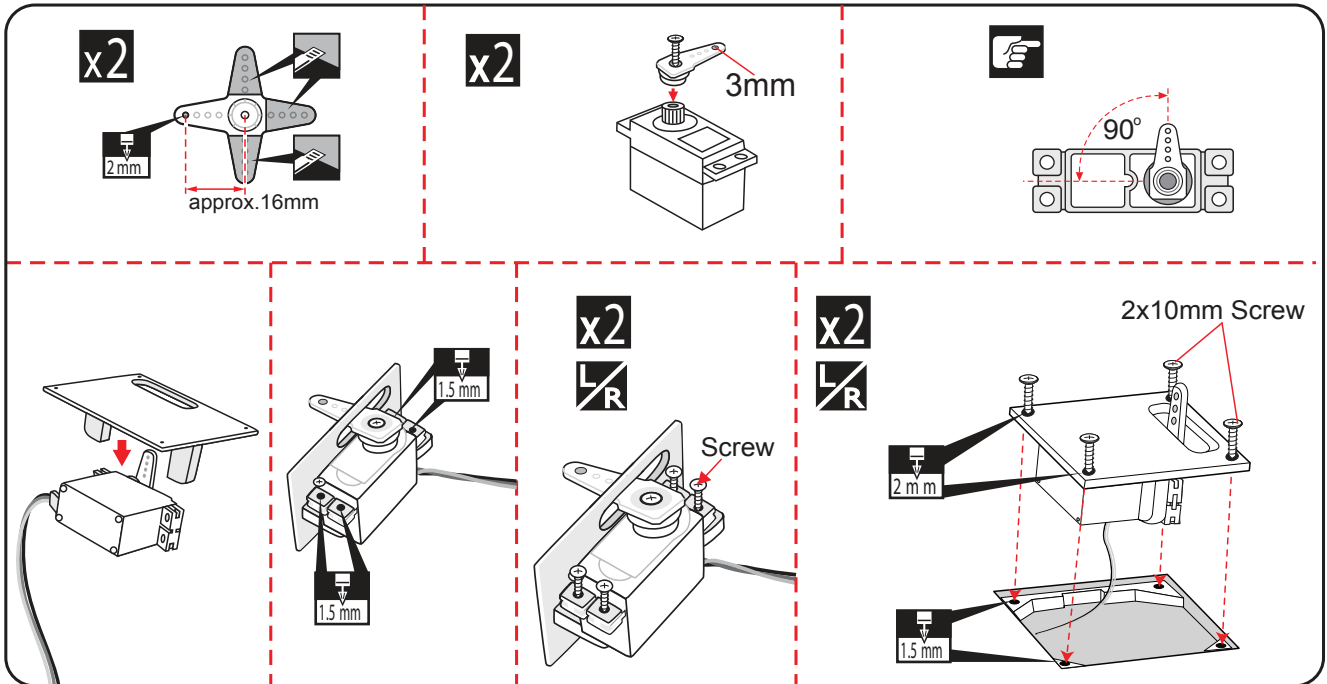
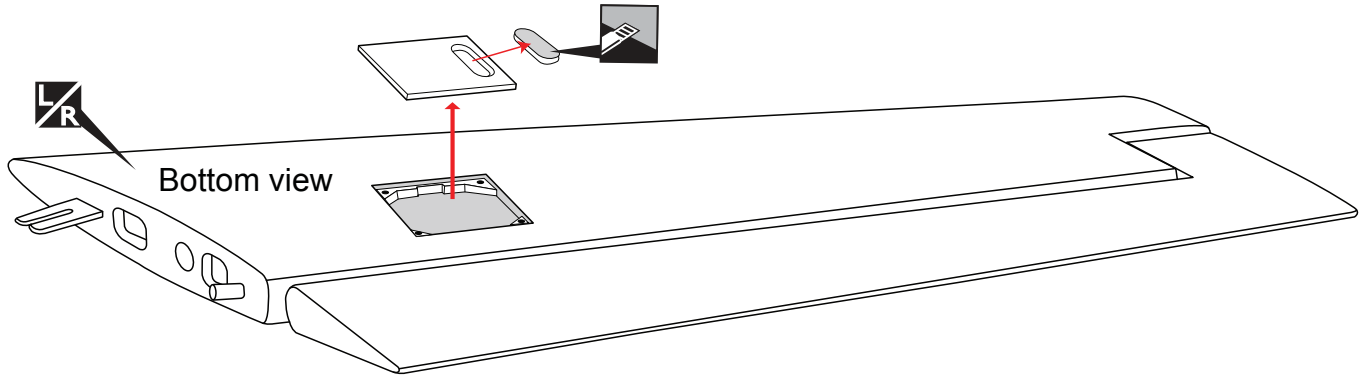
L/R Assemble left and right sides the same way.

INSTALLING THE HORIZONTAL STABILIZER SERVO

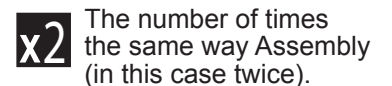
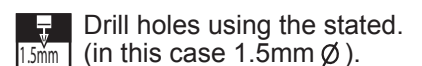
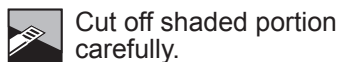
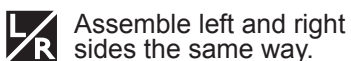
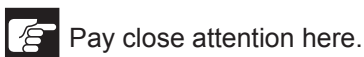
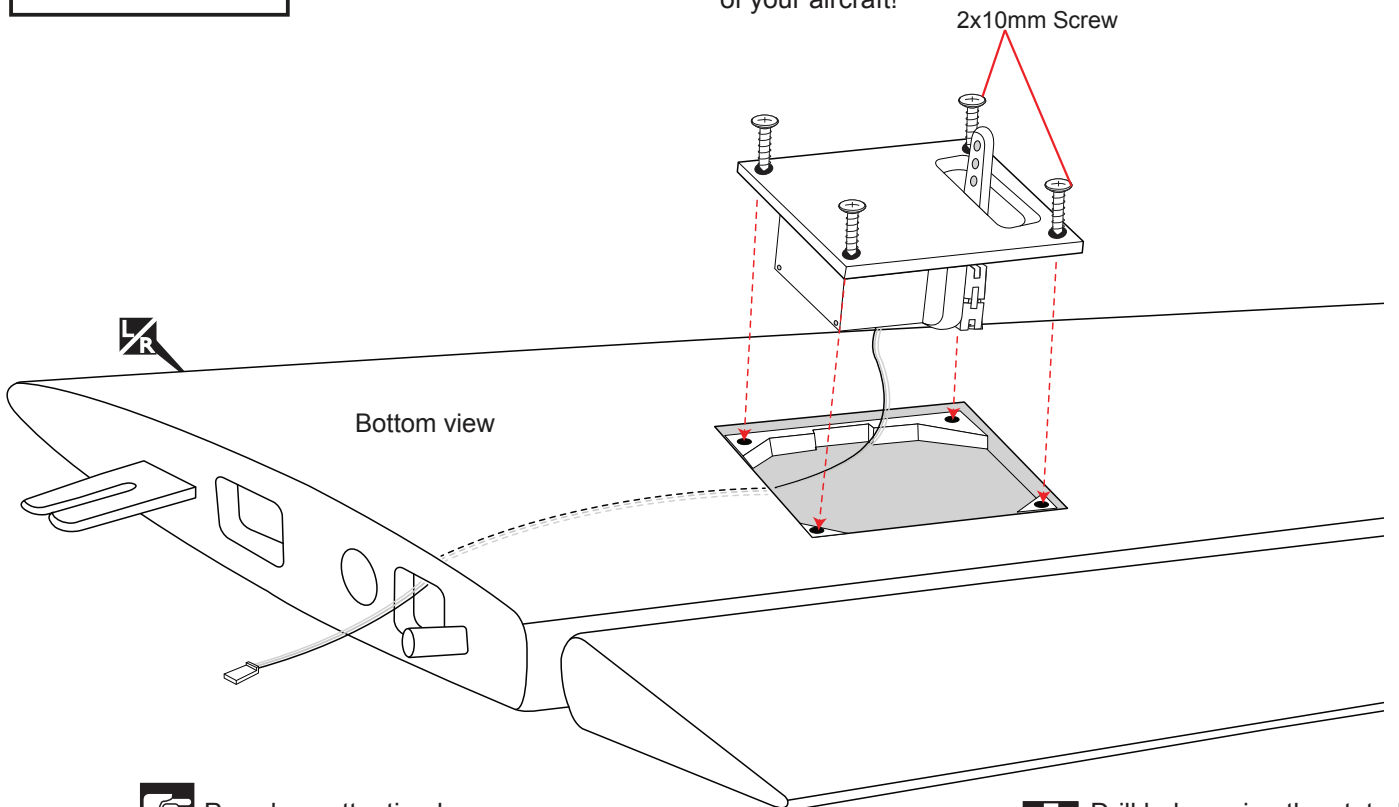


1. Install the rubber grommets and brass eyelets onto the aileron servo.
2. Using a modeling knife, remove the covering from over the pre-cut servo arm exit hole on the horizontal stabilizer servo tray / hatch. This hole will allow the servo arm to pass through when installing the aileron pushrods.
3. Place the servo into the servo tray. Center the servo within the tray and drill pilot holes through the block of wood for each of the four mounting screws provided with the servo.
4. Using the thread as a guide and using masking tape, tape the servo lead to the end of the thread: carefully pull the thread out. When you have pulled the servo lead out, remove the masking tape and the servo lead from the thread.
5. Place the horizontal stabilizer servo tray / hatch into the servo box on the bottom of the wing and drill pilot holes through the tray and the servo box for each of the four mounting screws. Secure the servo tray in place using the mounting screws provided.

X Must be purchased separately!

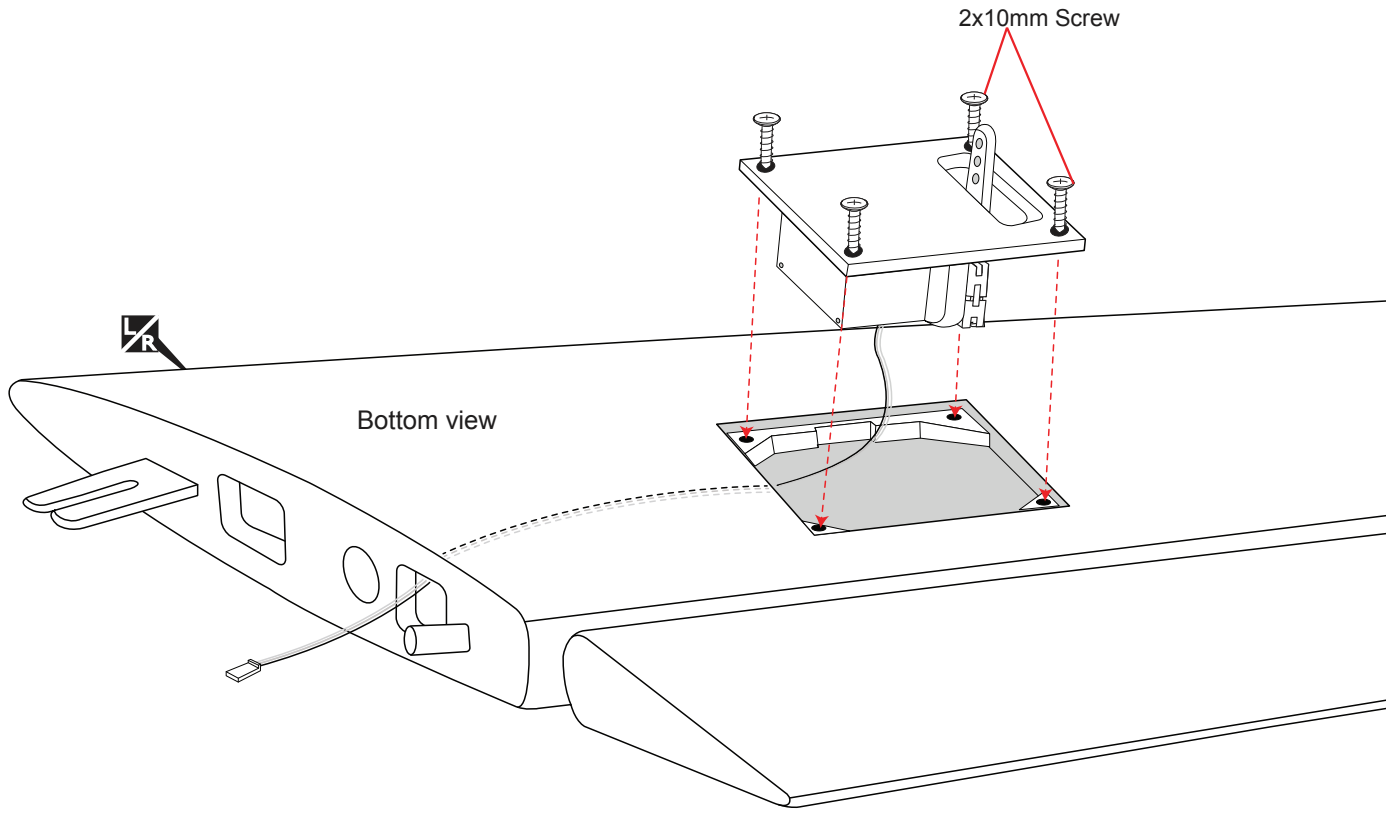


▶ Set all screws securely. If they come off during flight you will lose control of your aircraft!

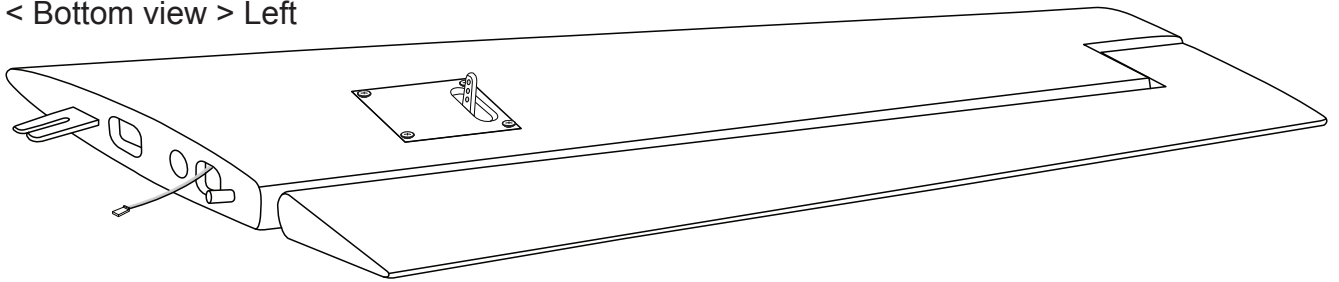




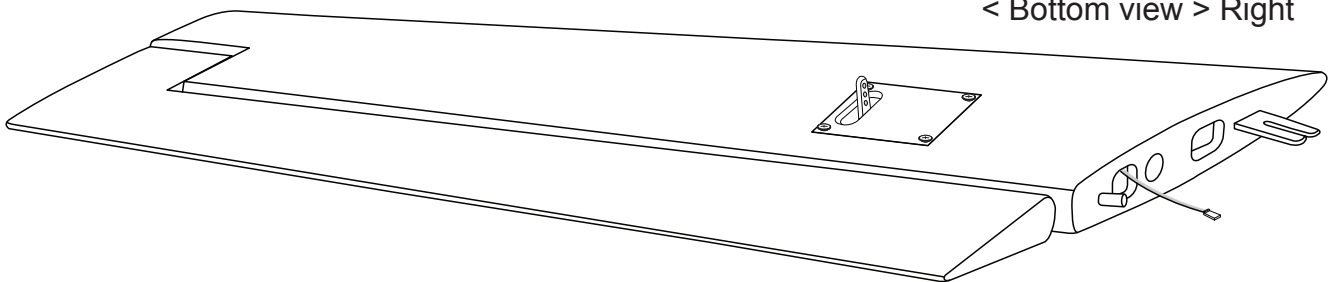
► Set all screws securely. If they come off during flight you will lose control of your aircraft!




< Bottom view > Left





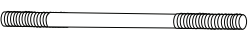
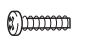


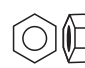
< Bottom view > Right

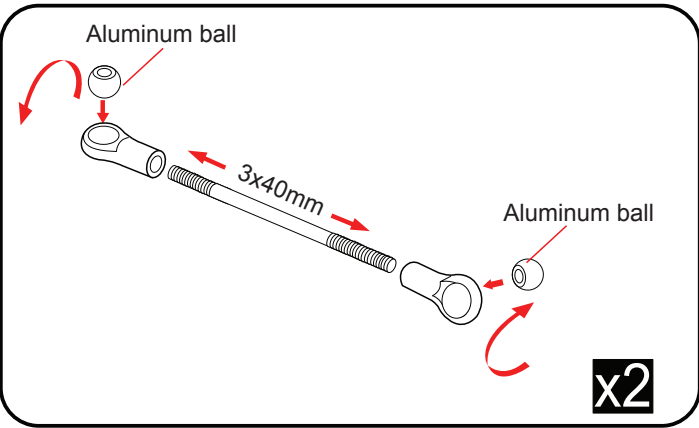
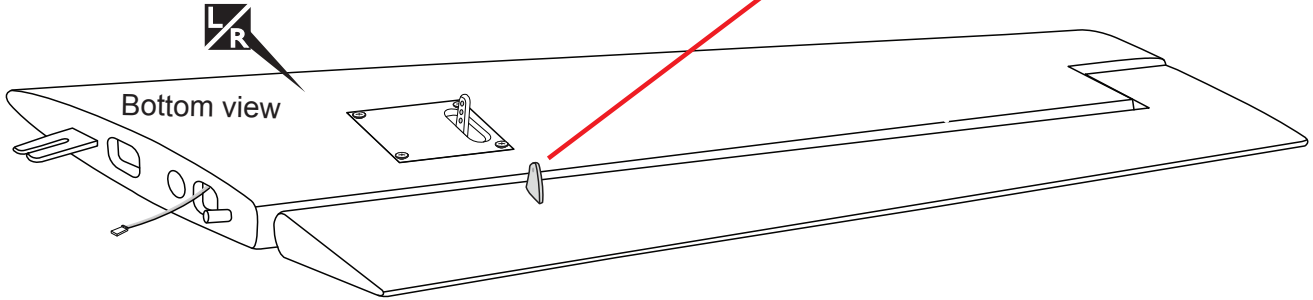
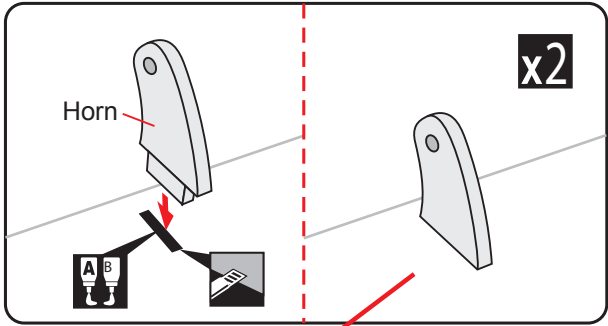






 Assemble left and right sides the same way.

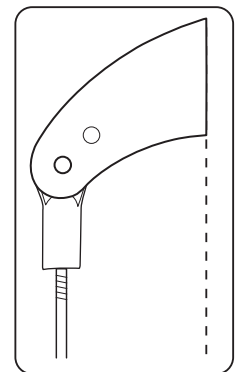
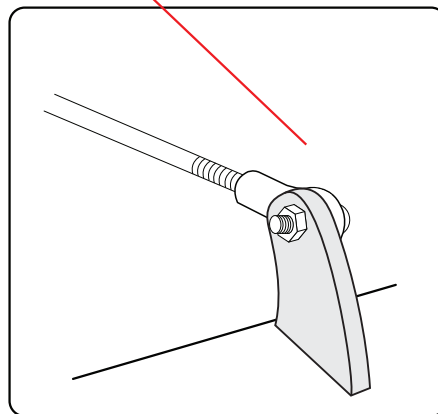
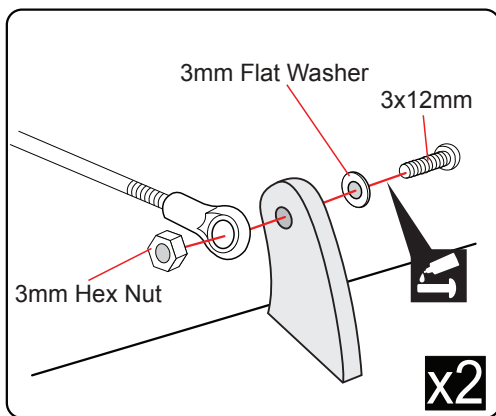
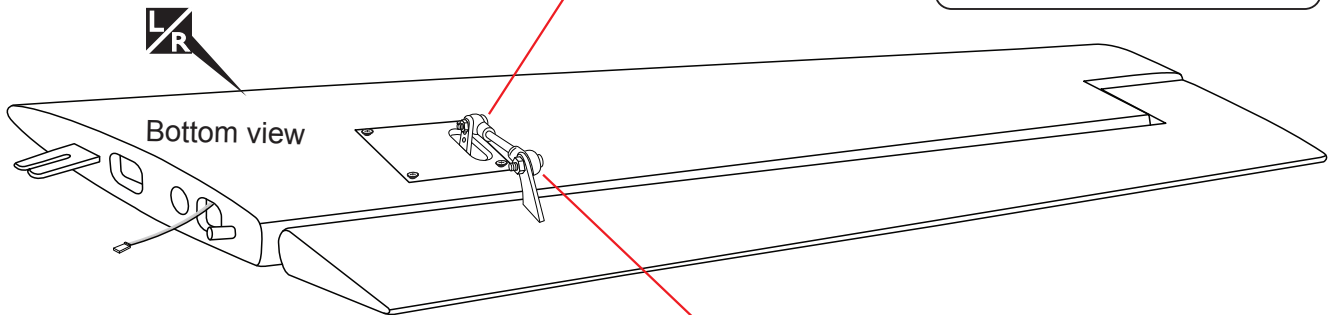
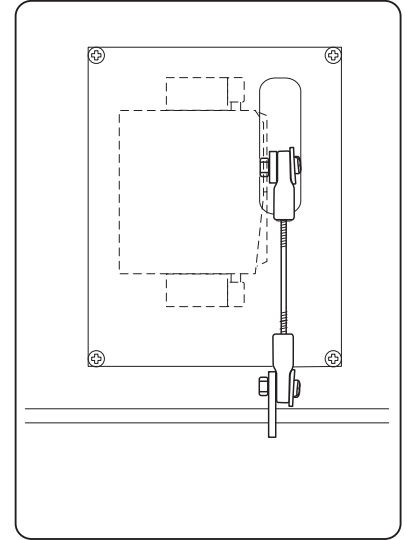
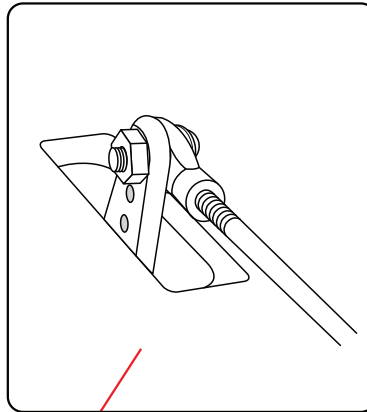
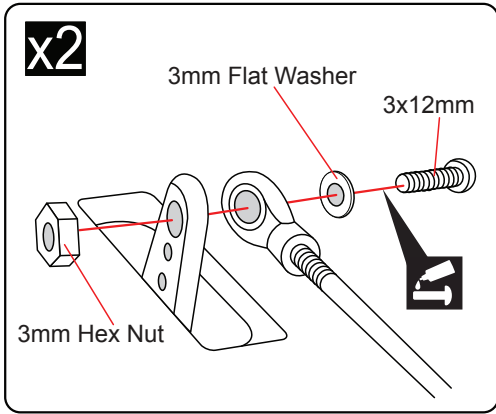
INSTALLING THE HORIZONTAL STABILIZER LINKAGES

1. Install the control horn into the horizontal stabilizer.
2. Locate the metal rod wire, screw the plastic link ball onto the threaded end of the wire.
3. Plug the horizontal stabilizer servo into the receiver and center the servo. Install the servo arm onto the servo. The servo arm should be perpendicular to the servo and point toward the middle of the horizontal stabilizer.
4. Center the horizontal stabilizer and hold it in place using a couple of pieces of masking tape. Adjust the linkage until the horizontal stabilizer and the servo arm are both centered and then tighten the nut against. Remember use thread locking compound to secure.
5. Repeat step 1 - step 4 for the second horizontal stabilizer linkage.

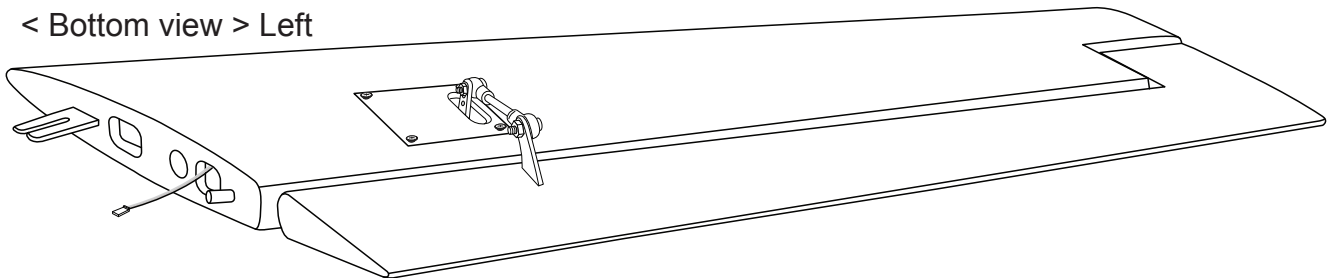
Aluminum ball	
	----- 4
	----- 4
3x40mm Push rod	
	-- 2
3 x 12mm Cap Screw	
	----- 4
3mm Flat Washer	
	----- 4
	----- 2
3mm Hex Nut	
	----- 4



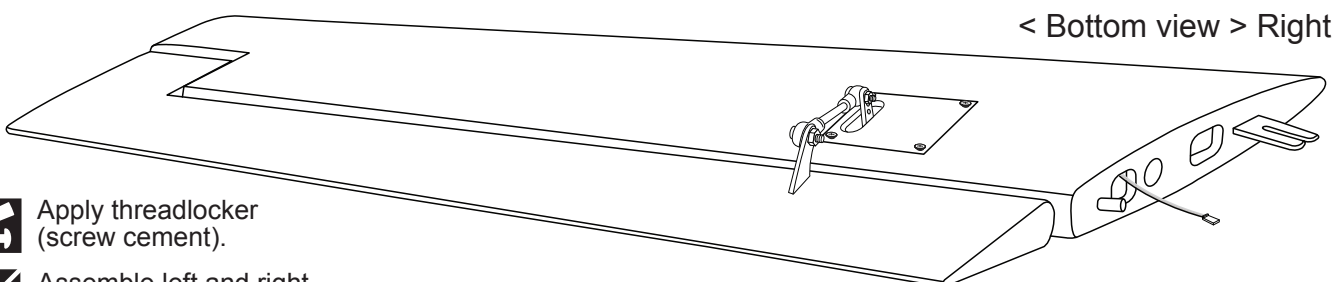
-  Cut off shaded portion
-  Assemble left and right sides the same way
-  Apply epoxy glue.
-  The number of times the same way Assembly (in this case twice).





< Bottom view > Left




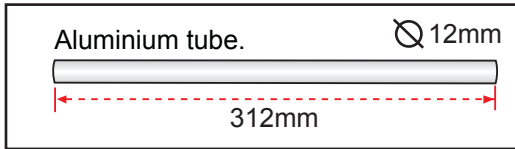
< Bottom view > Right



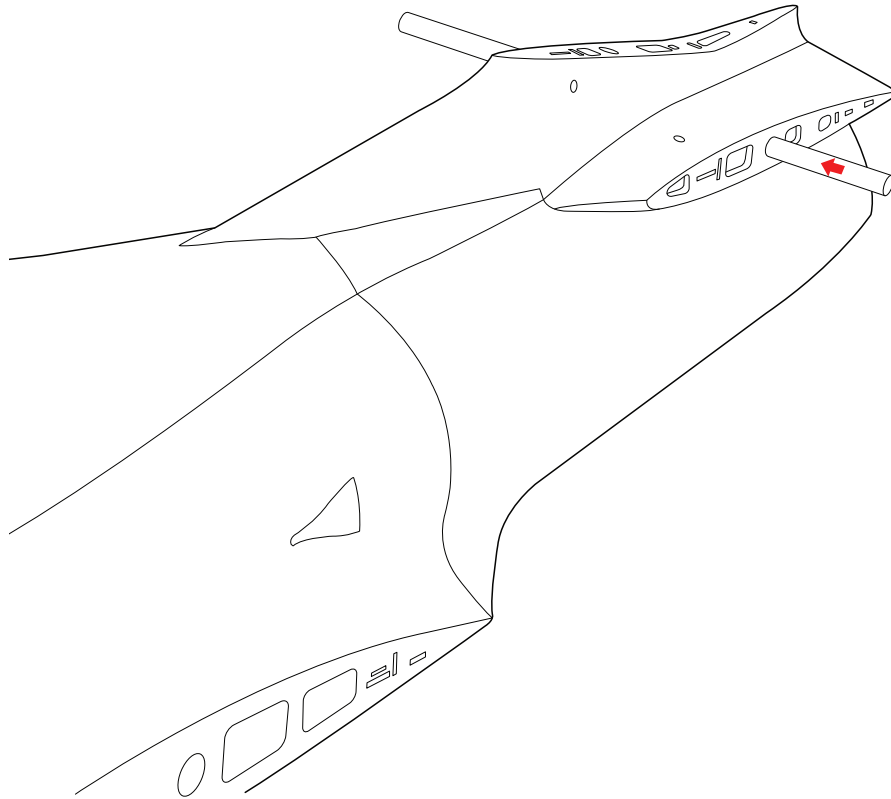
 Apply threadlocker (screw cement).

 Assemble left and right sides the same way.

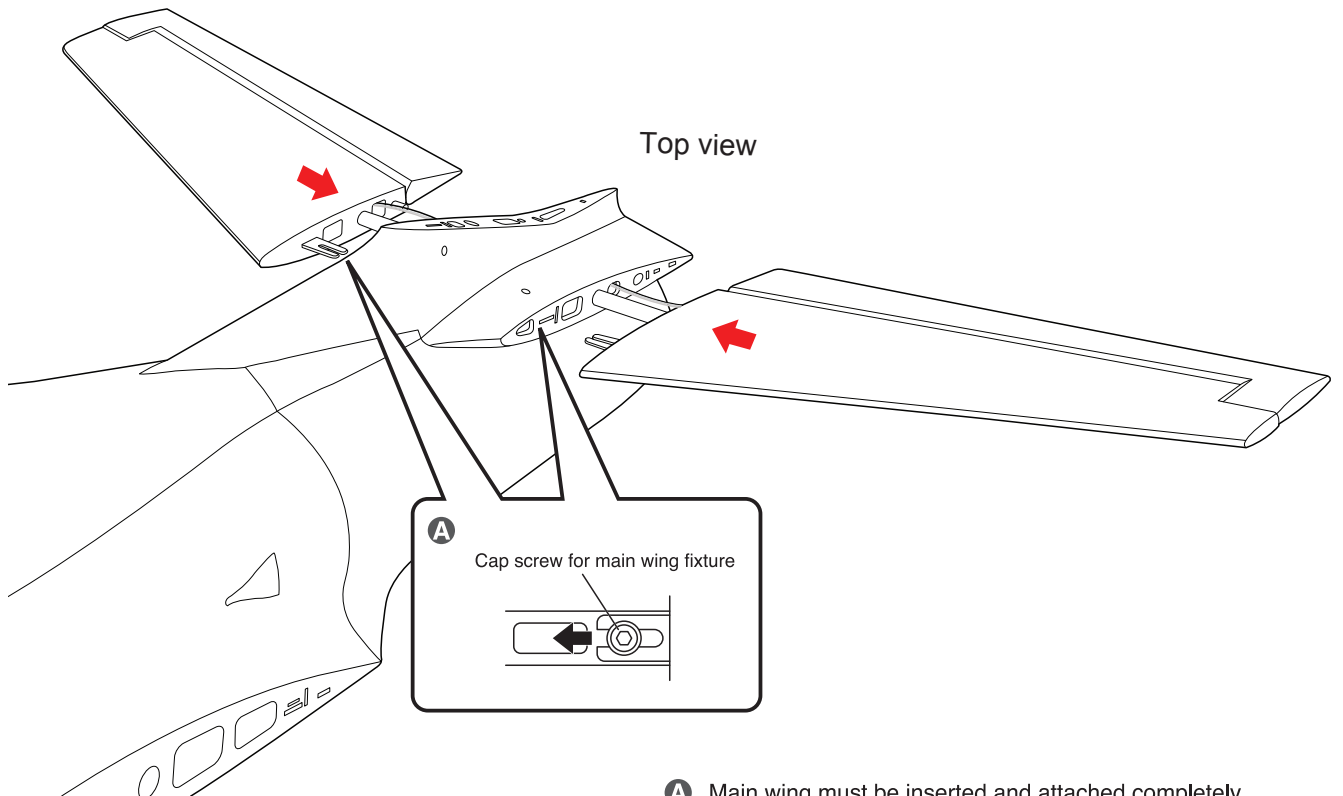
 The number of times the same way Assembly (in this case twice).



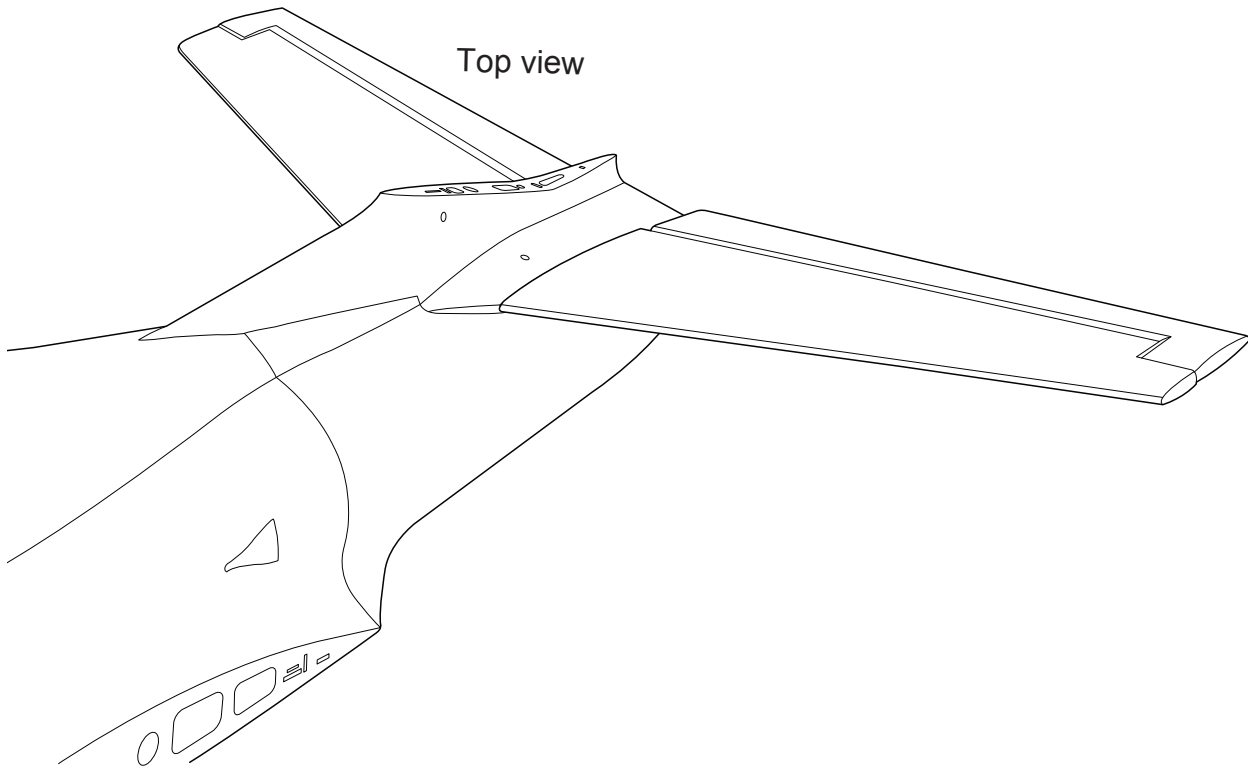
Top view



Top view

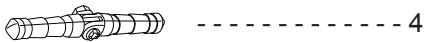


A Main wing must be inserted and attached completely before fixing with screw.

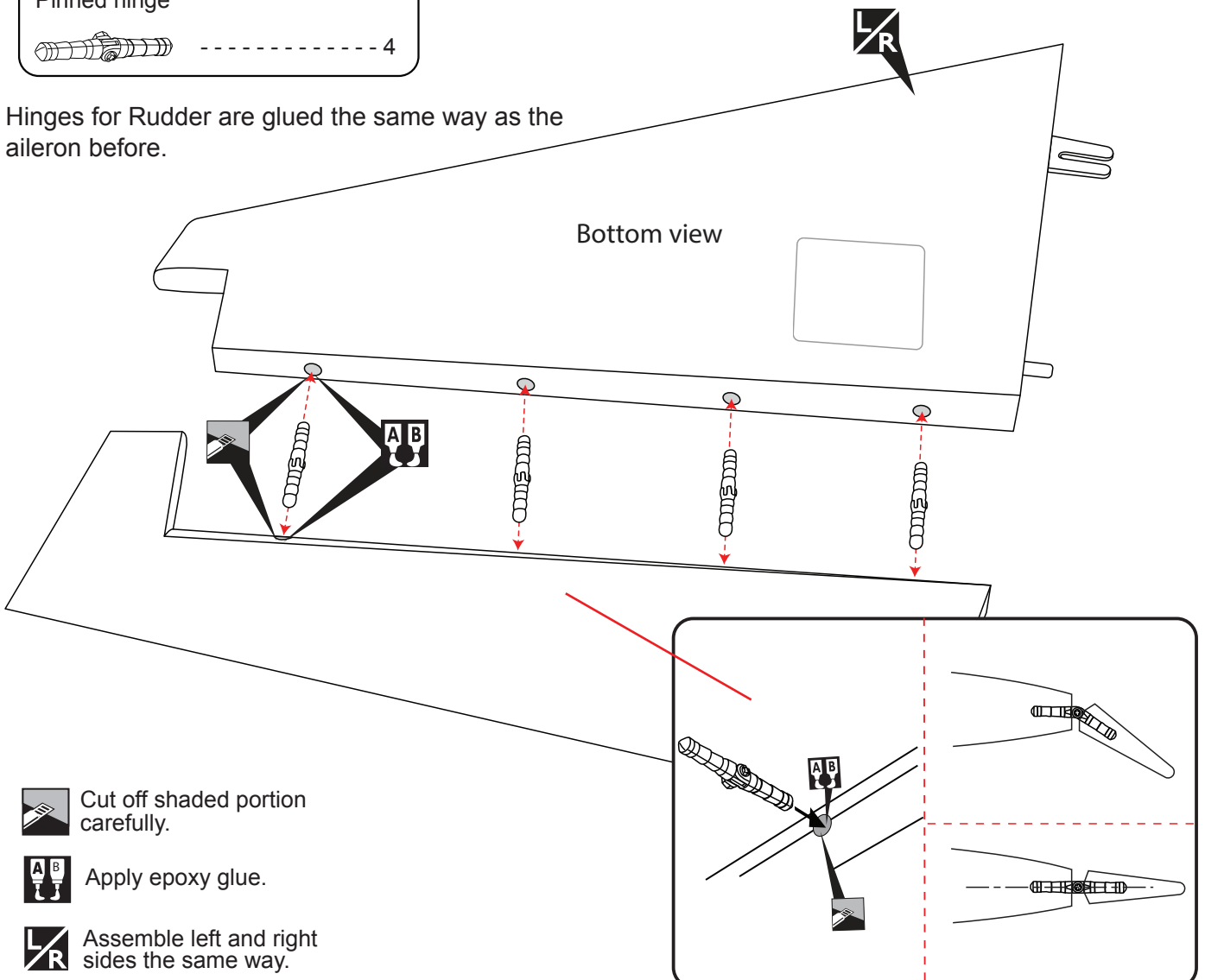


INSTALLATION THE VERTICAL STABILIZER

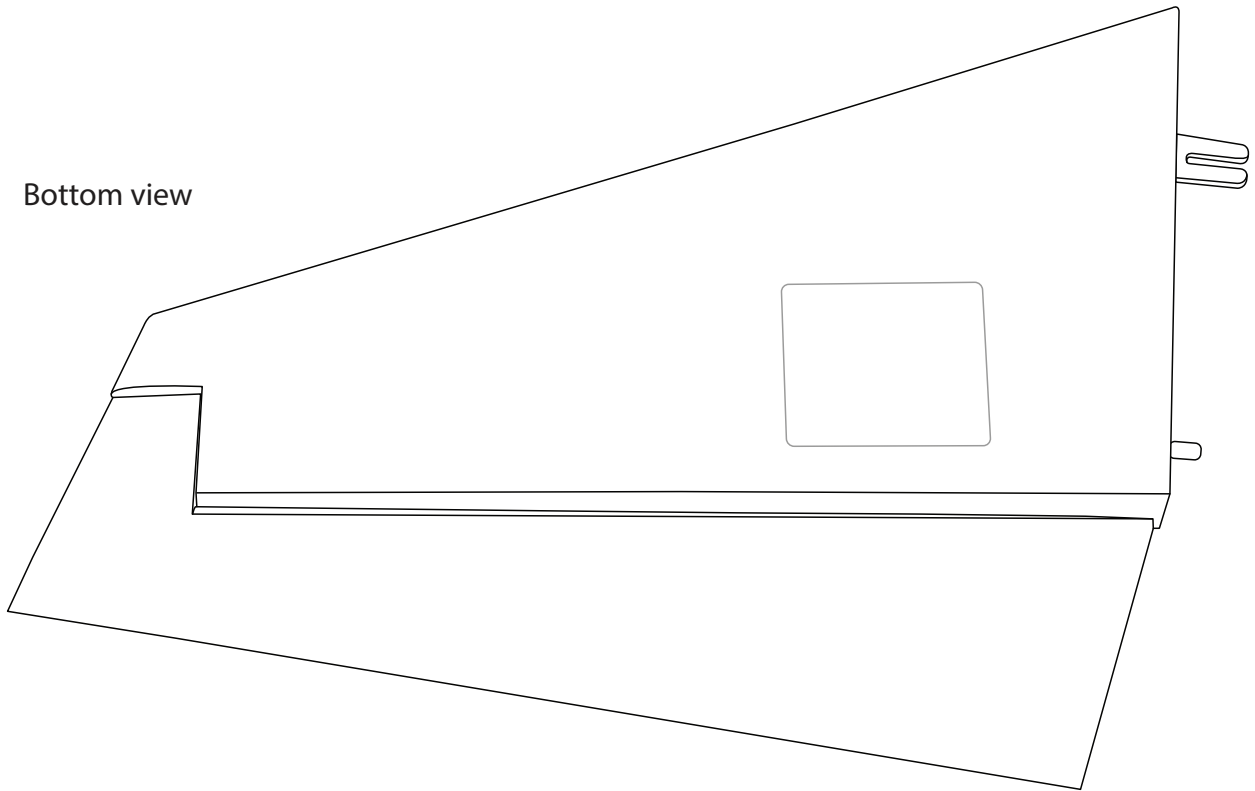
Pinned hinge



Hinges for Rudder are glued the same way as the aileron before.

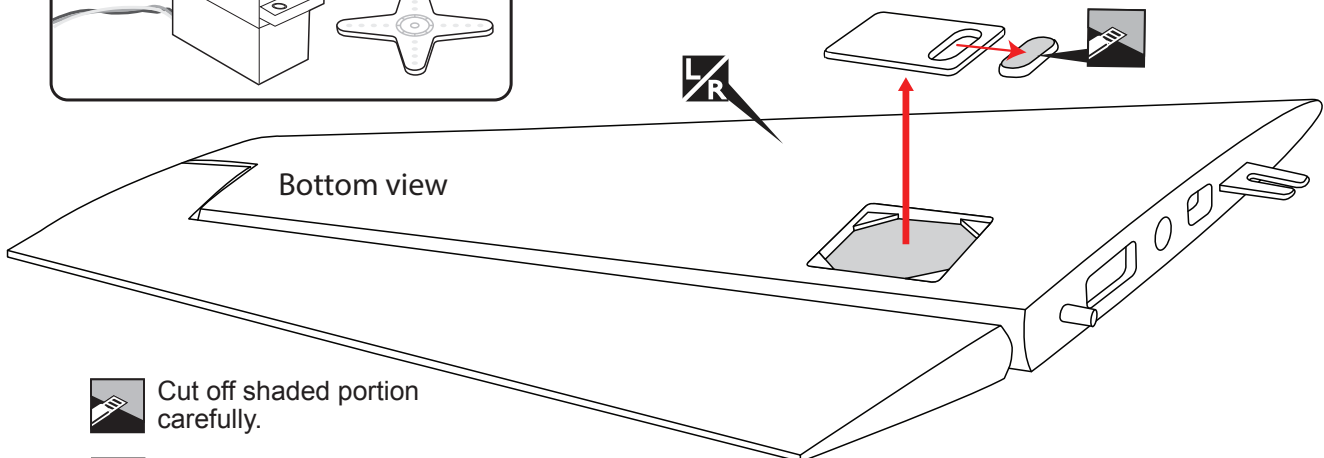
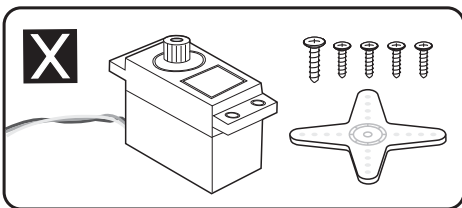



Bottom view





INSTALLATION THE VERTICAL STABILIZER SERVO

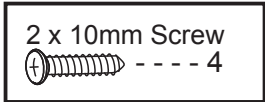
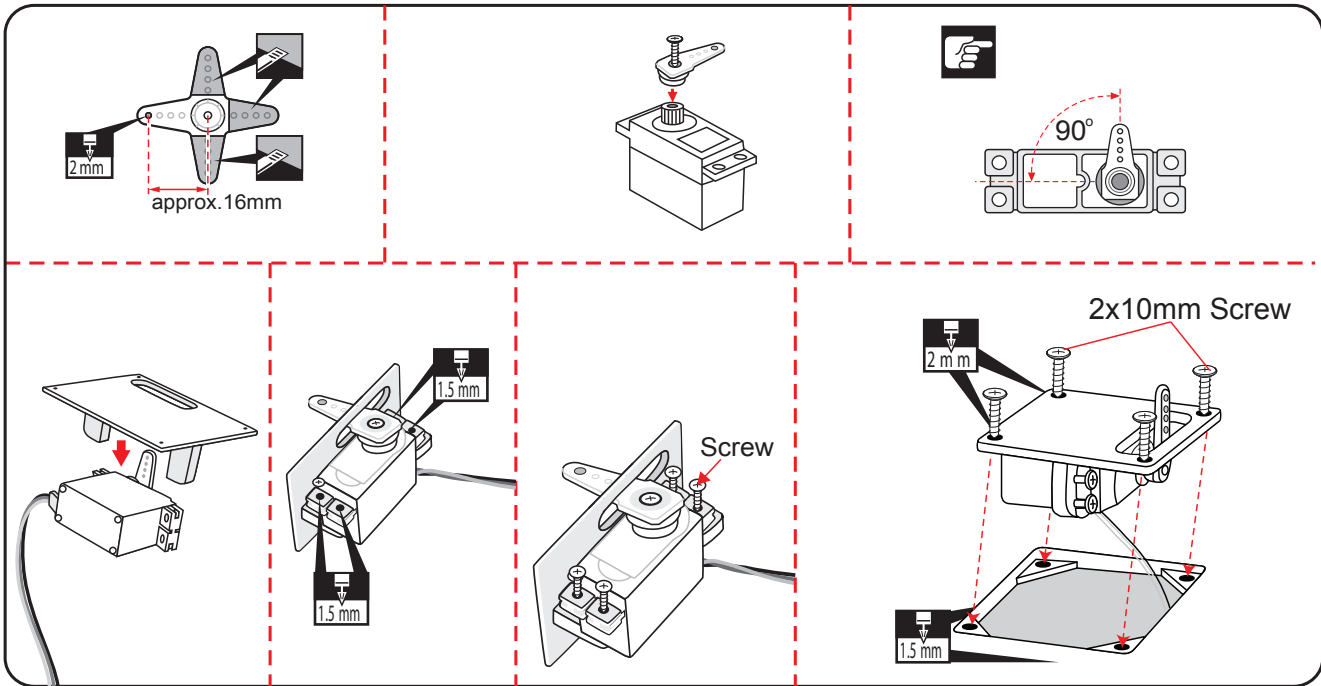
1. Install the rubber grommets and brass eyelets onto the aileron servo.
2. Using a modeling knife, remove the covering from over the pre-cut servo arm exit hole on the vertical stabilizer servo tray / hatch. This hole will allow the servo arm to pass through when installing the aileron pushrods.
3. Place the servo into the servo tray. Center the servo within the tray and drill pilot holes through the block of wood for each of the four mounting screws provided with the servo.
4. Using the thread as a guide and using masking tape, tape the servo lead to the end of the thread: carefully pull the thread out. When you have pulled the servo lead out, remove the masking tape and the servo lead from the thread.
5. Place the vertical stabilizer servo tray / hatch into the servo box on the bottom of the wing and drill pilot holes through the tray and the servo box for each of the four mounting screws. Secure the servo tray in place using the mounting screws provided.



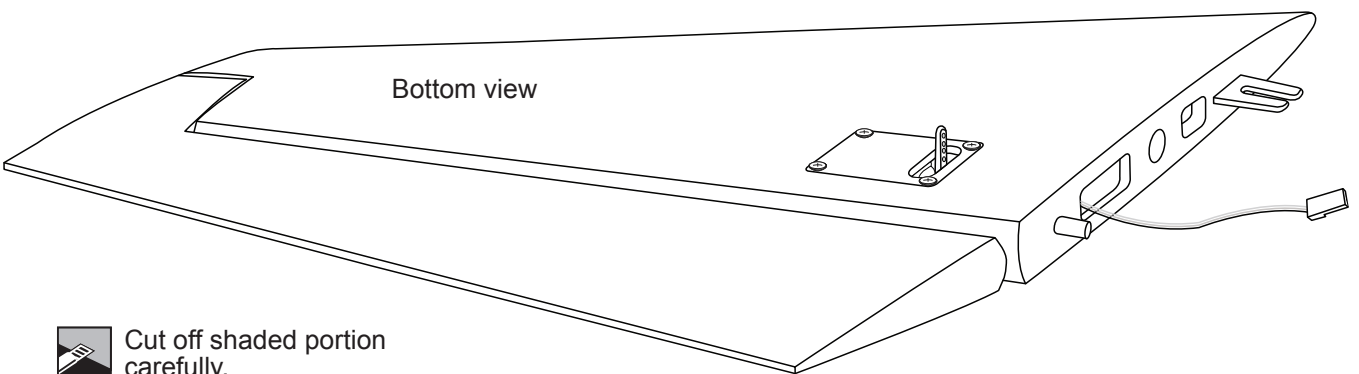
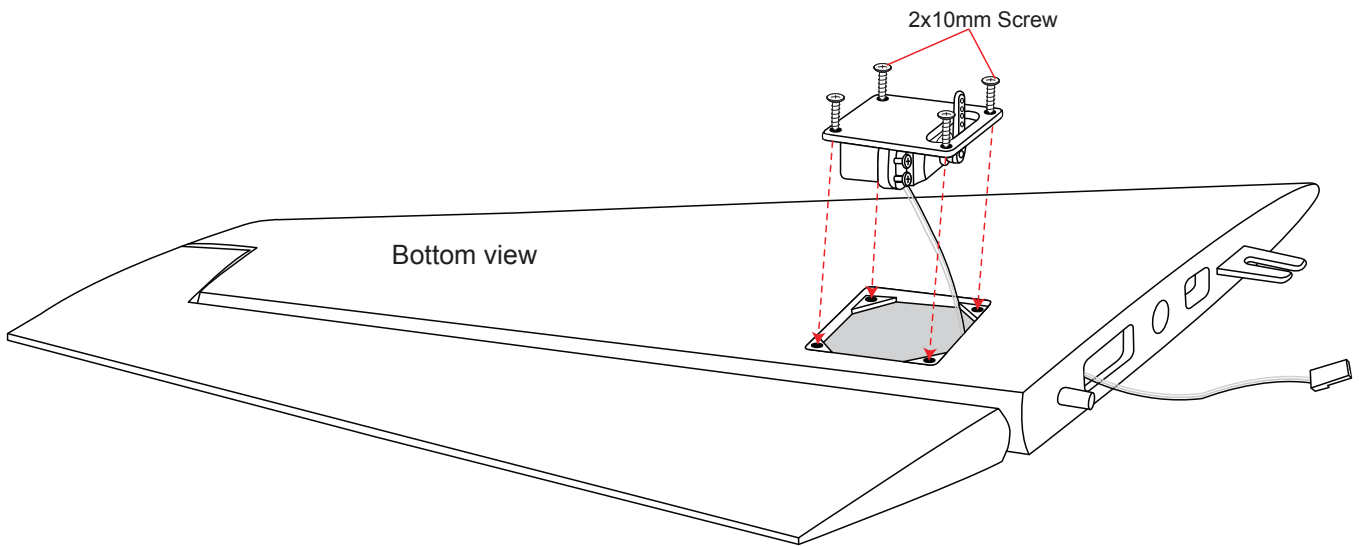
 Cut off shaded portion carefully.

 Must be purchased separately!

 Assemble left and right sides the same way.



▶ Set all screws securely. If they come off during flight you will lose control of your aircraft!





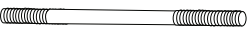




Cut off shaded portion carefully.

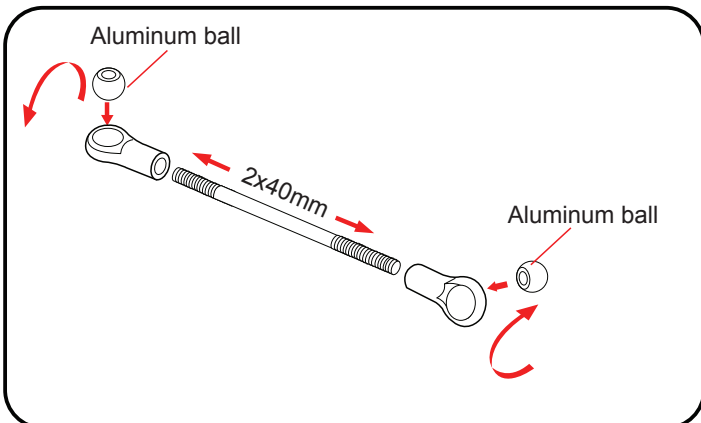
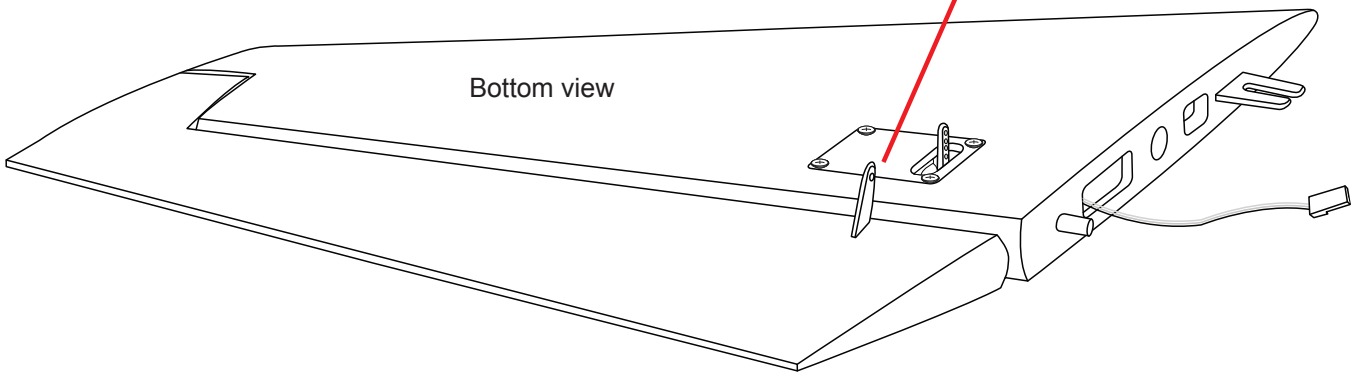
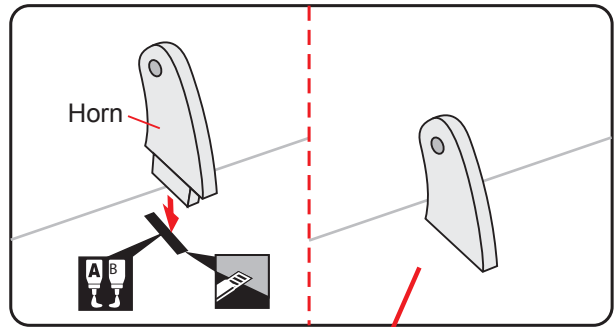
Pay close attention here.



Drill holes using the stated. (in this case 1.5mm Ø).

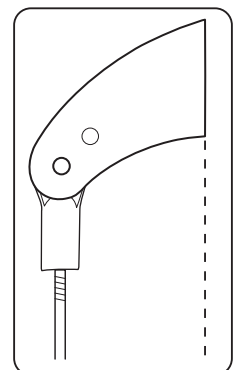
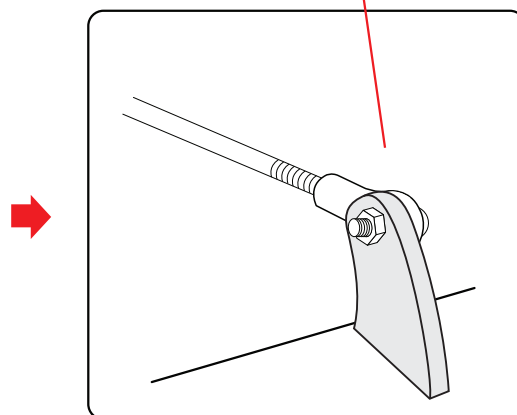
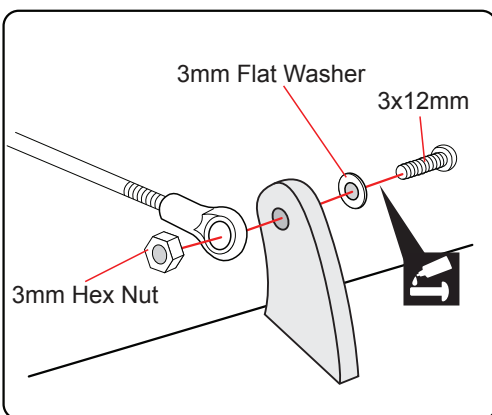
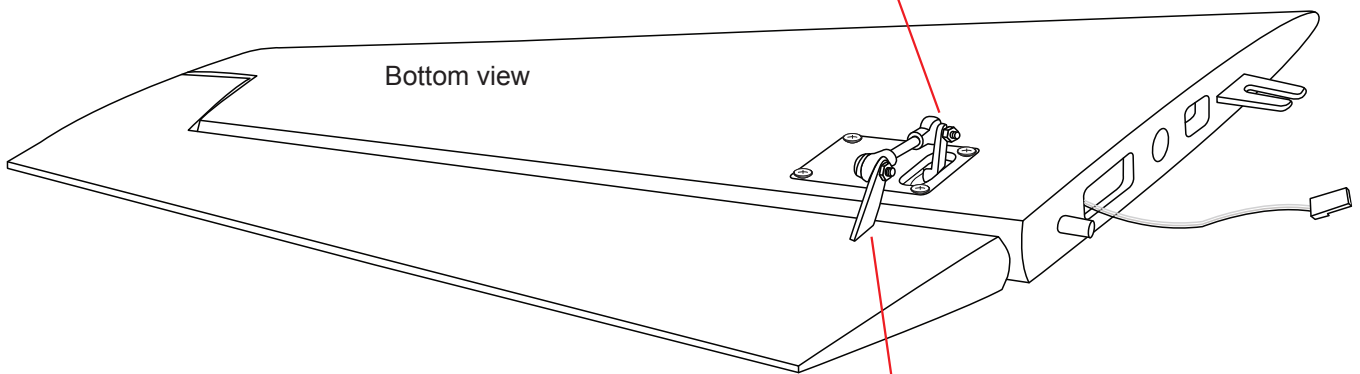
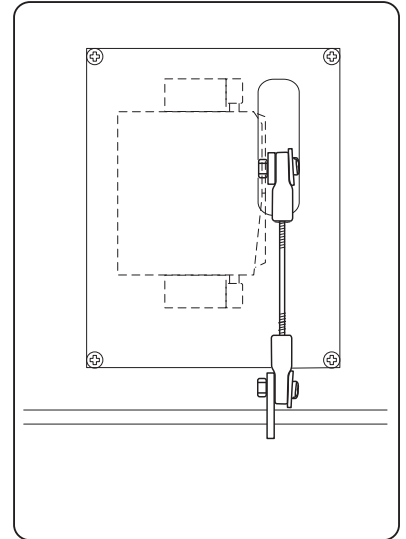
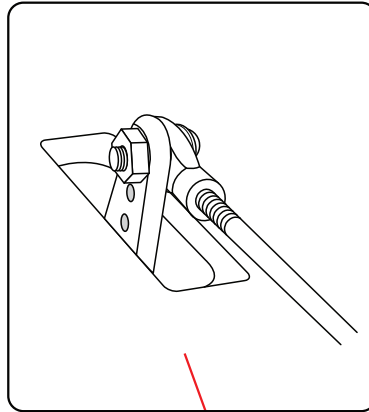
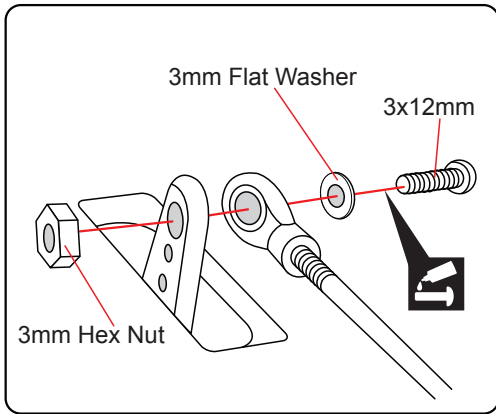
INSTALLATION THE VERTICAL STABILIZER LINKAGES


1. Install the control horn into the vertical stabilizer.
2. Locate the metal rod wire, screw the plastic link ball onto the threaded end of the wire.
3. Plug the vertical stabilizer servo into the receiver and center the servo. Install the servo arm onto the servo. The servo arm should be perpendicular to the servo and point toward the middle of the rudder.
4. Center the aileron and hold it in place using a couple of pieces of masking tape. Adjust the linkage until the vertical stabilizer and the servo arm are both centered and then tighten the nut against. Remember use thread locking compound to secure.
5. Repeat step 1 - step 4 for the second vertical stabilizer linkage.

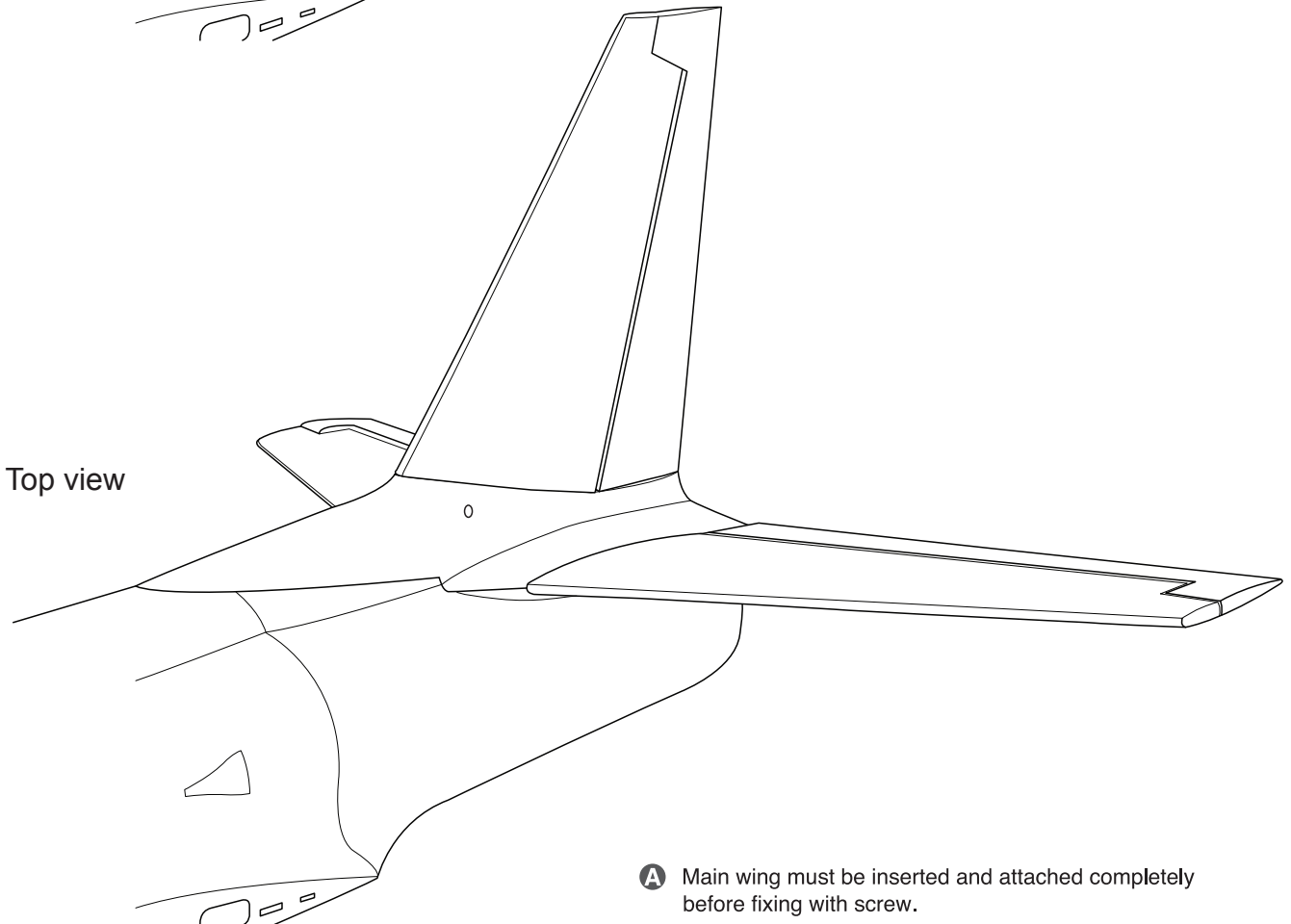
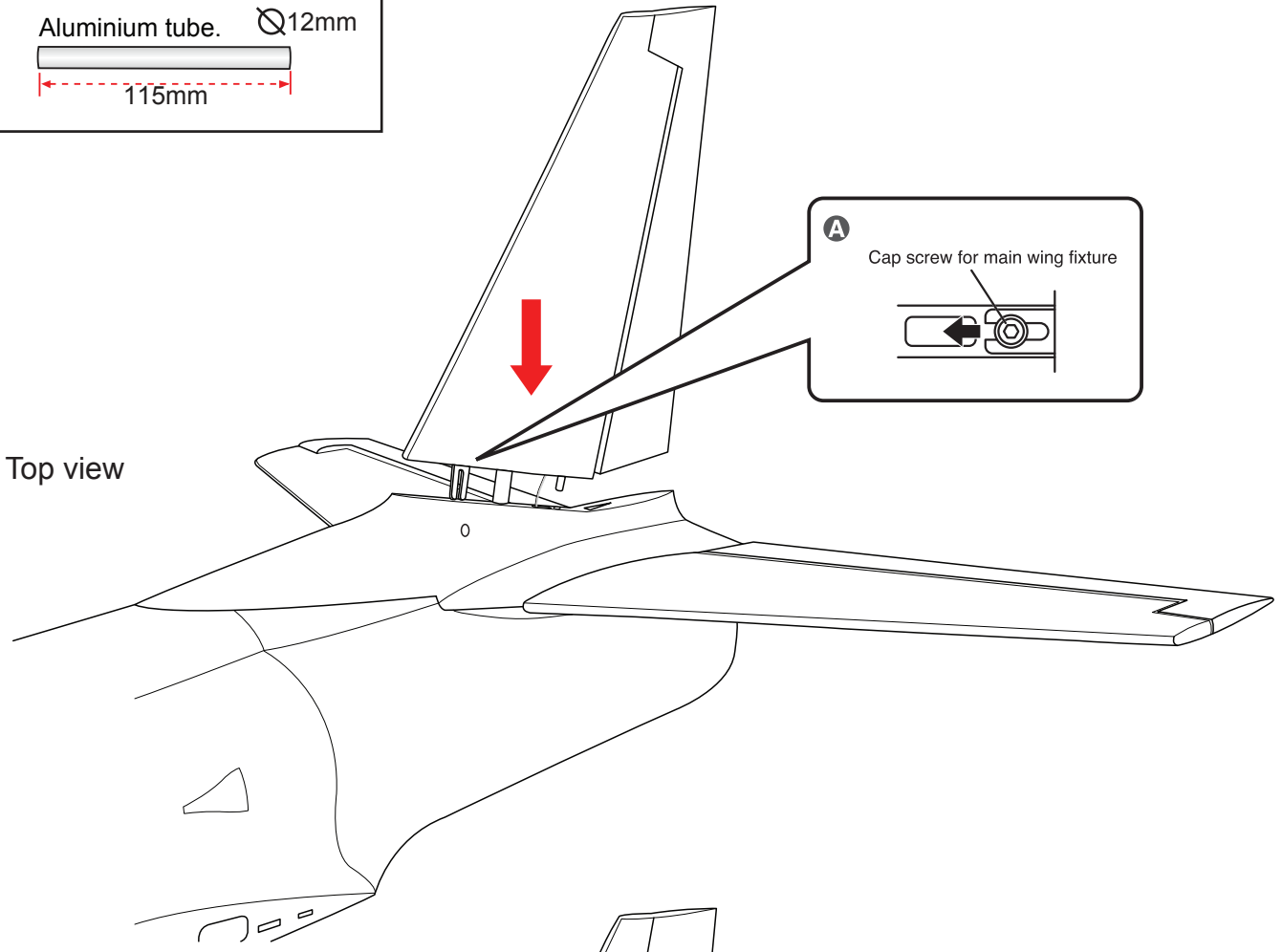
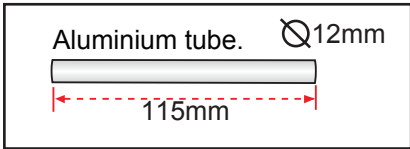
Aluminum ball	
	----- 2
	----- 2
2x40mm Push rod	
	-- 1
3 x 12mm Cap Screw	
	----- 2
3mm Flat Washer	
	----- 2
	----- 1
3mm Hex Nut	
	----- 2



-  Cut off shaded portion
-  Apply epoxy glue.

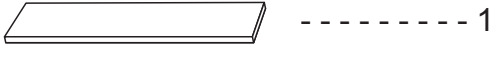


 Apply threadlocker (screw cement).

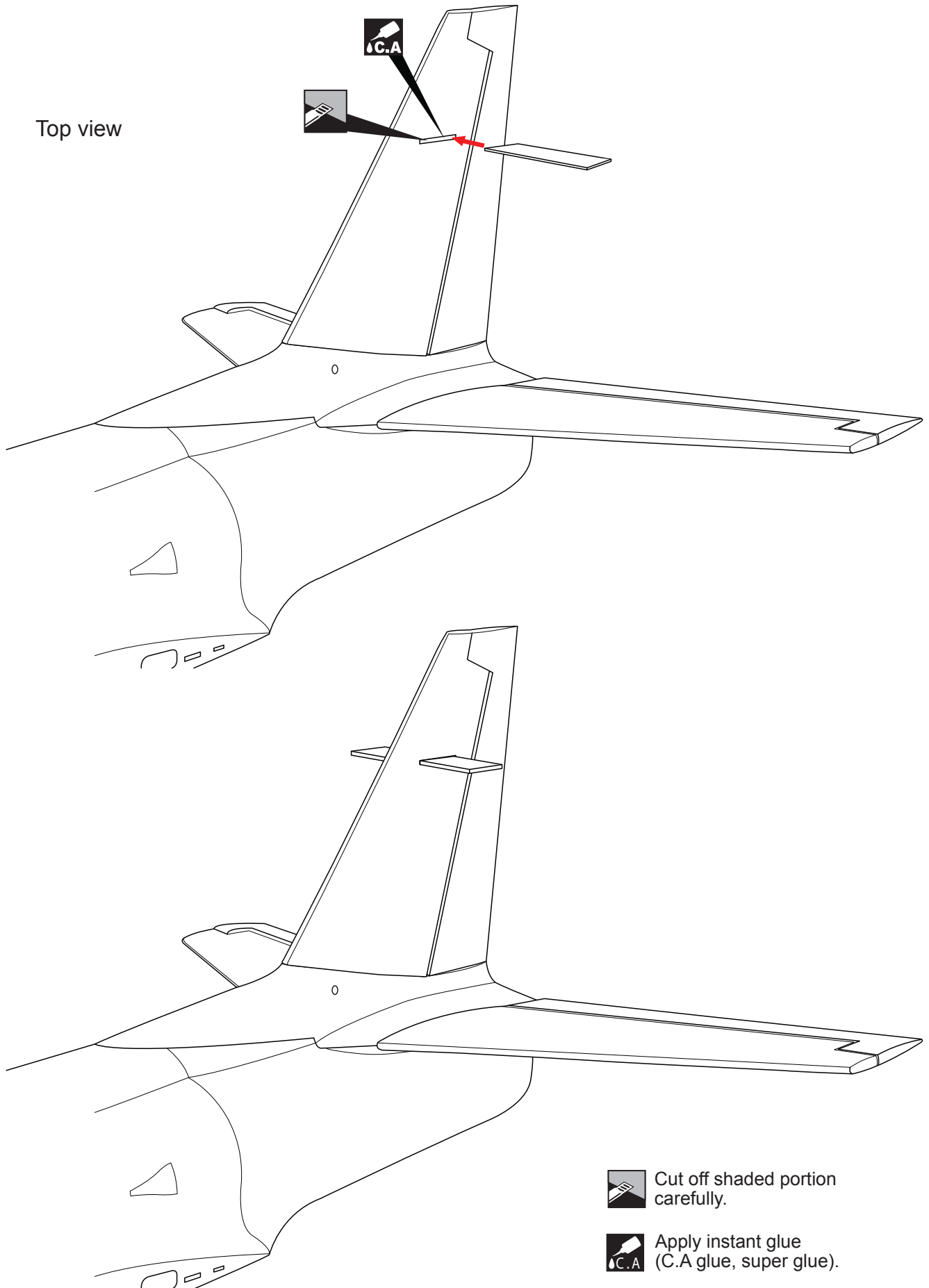


A Main wing must be inserted and attached completely before fixing with screw.



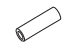

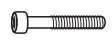


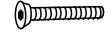

Ply Wood part for rudder stab

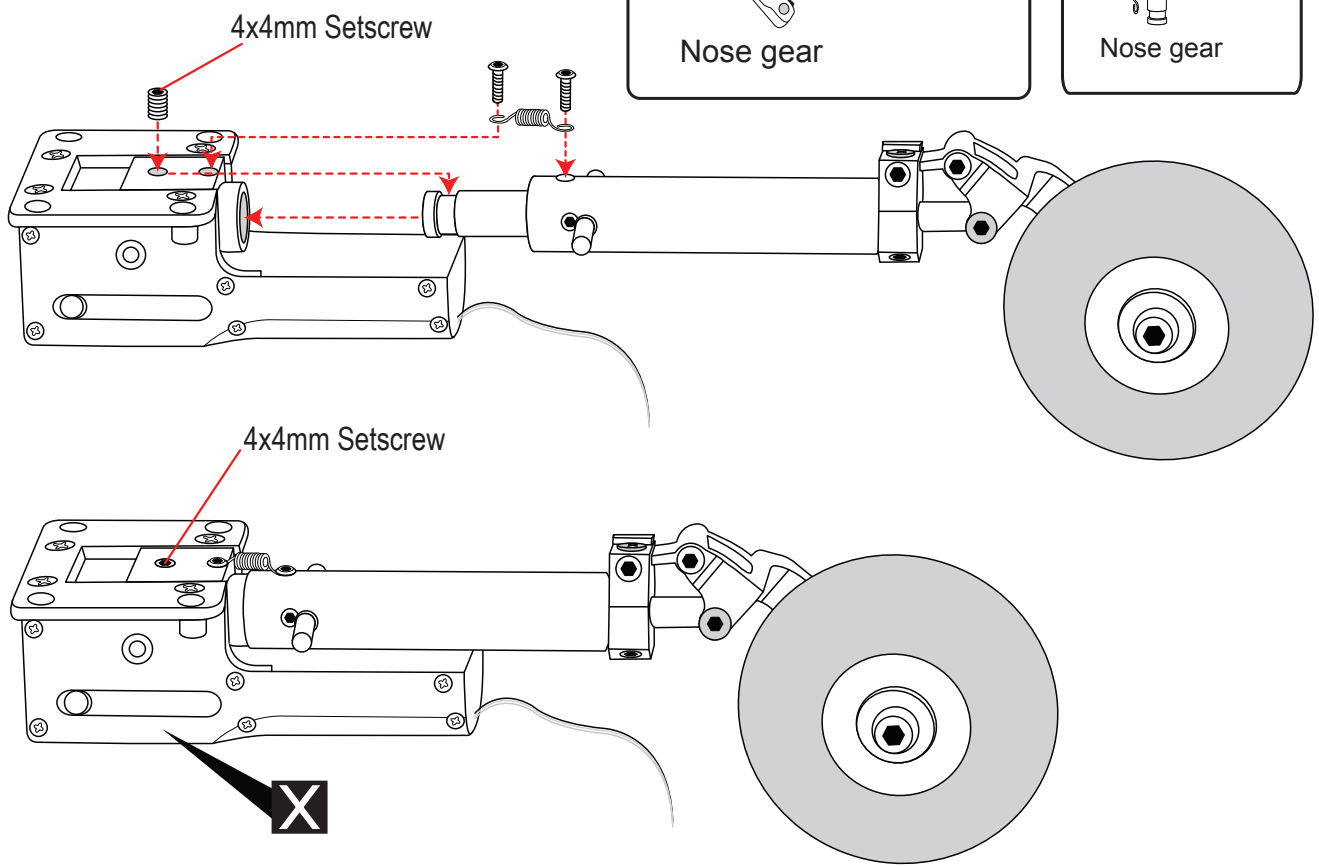
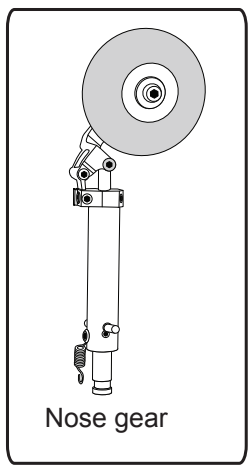
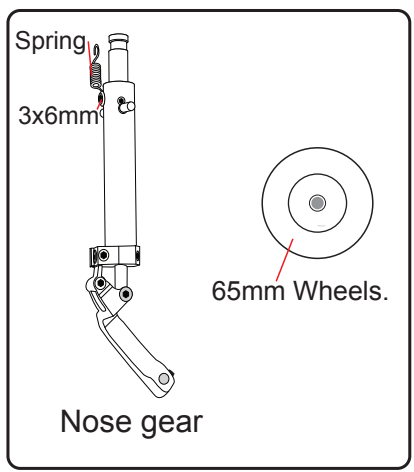
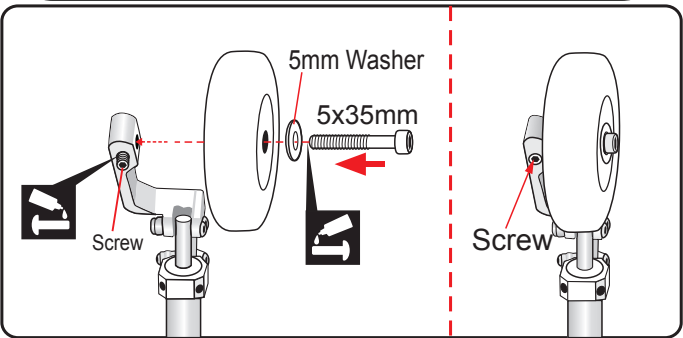
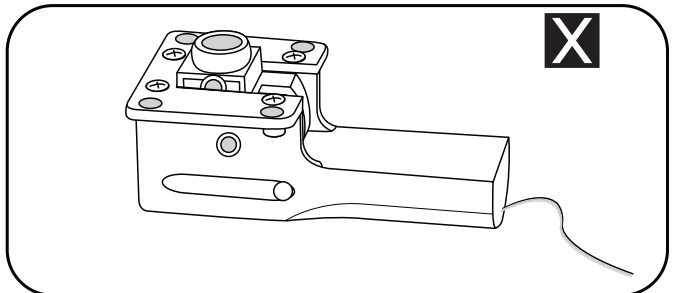


Top view

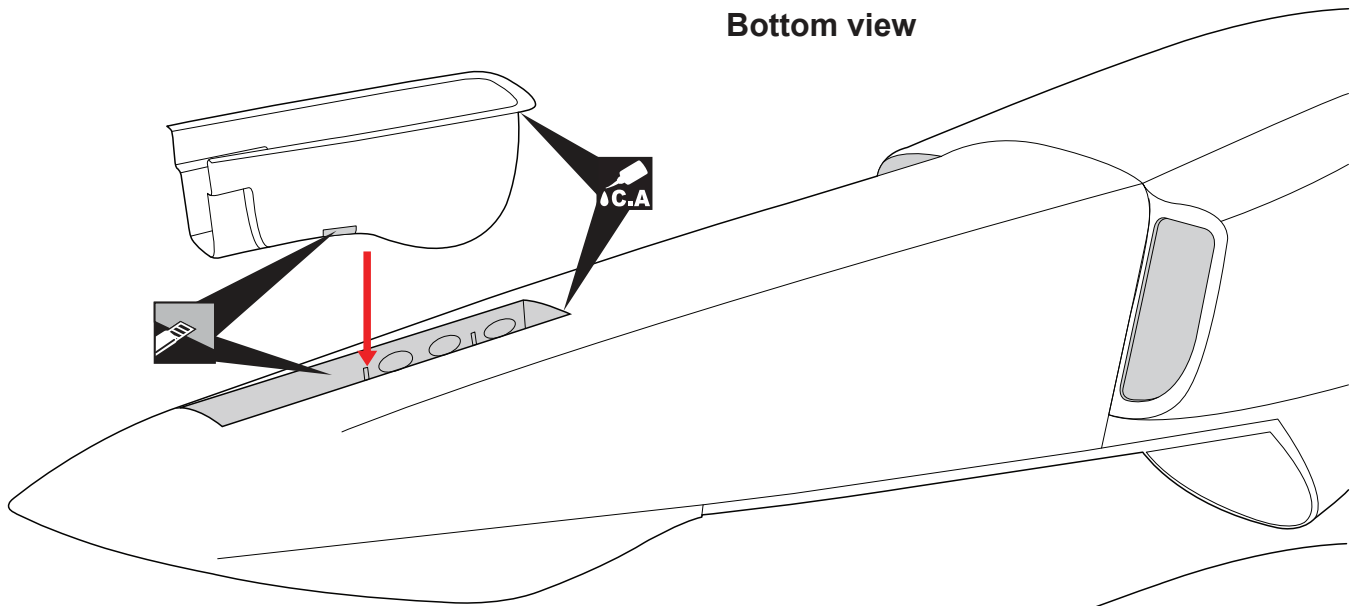


INSTALLING THE NOSE GEAR RETRACT

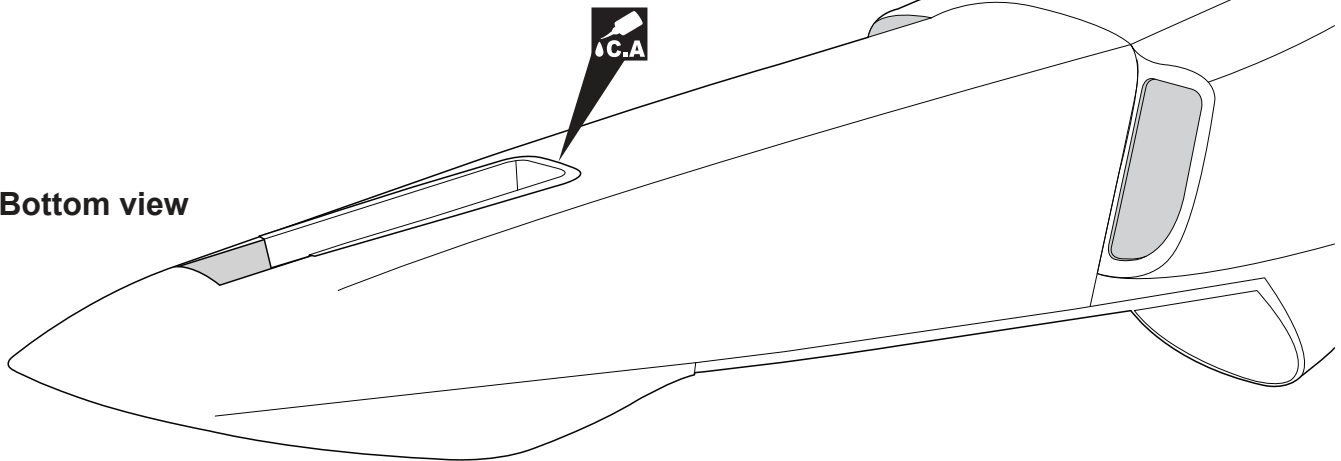
- Metal Clevis  ----- 2
- Cable rod  ----- 2
- Locknut  ----- 4
- 3x30mm Connector  ----- 2
- 5x35mm Socket Head Cap Screw  ----- 1
- 5mm Flat washer  ----- 1
- 3x6mm Button screw  ----- 1
- 3x20mm screw  ----- 4
- Wheel well  ----- 1



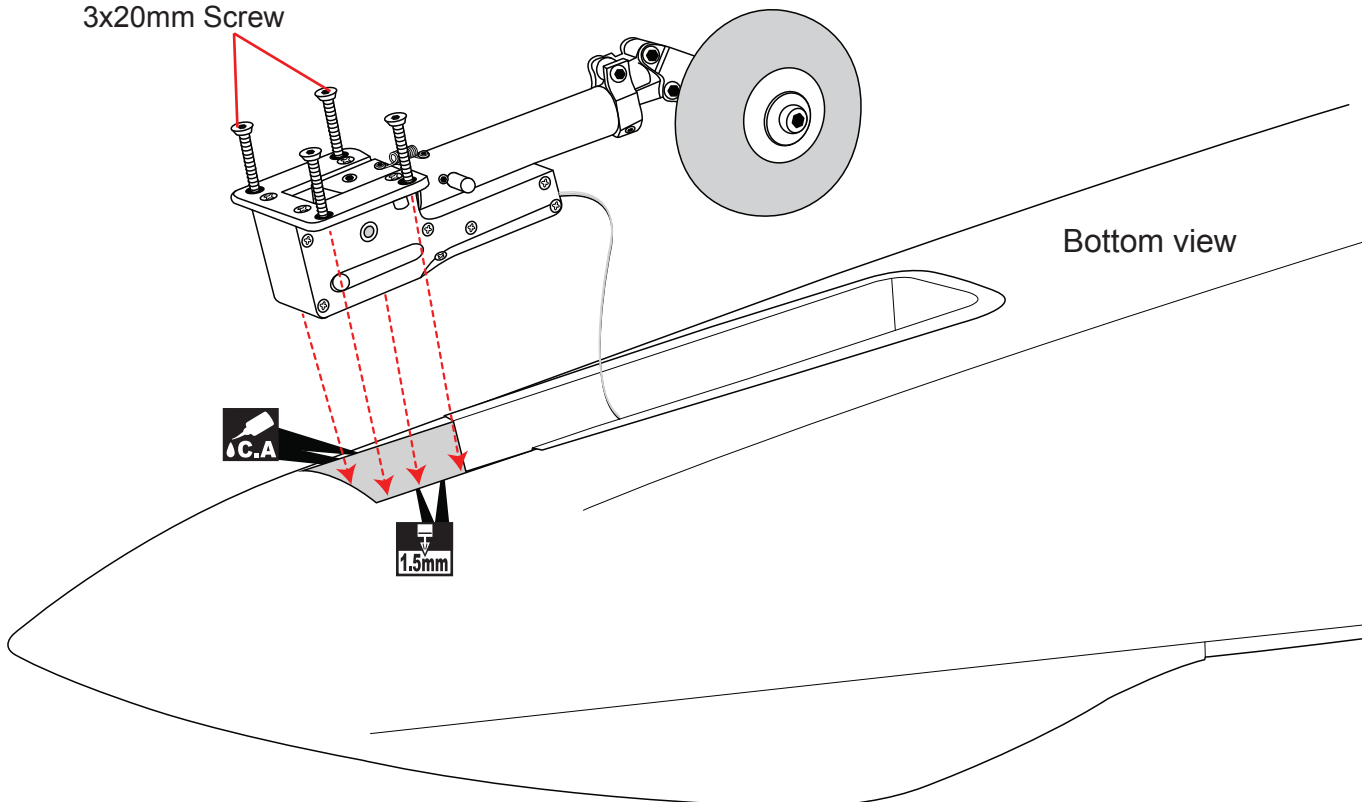
Bottom view





Bottom view




3x20mm Screw



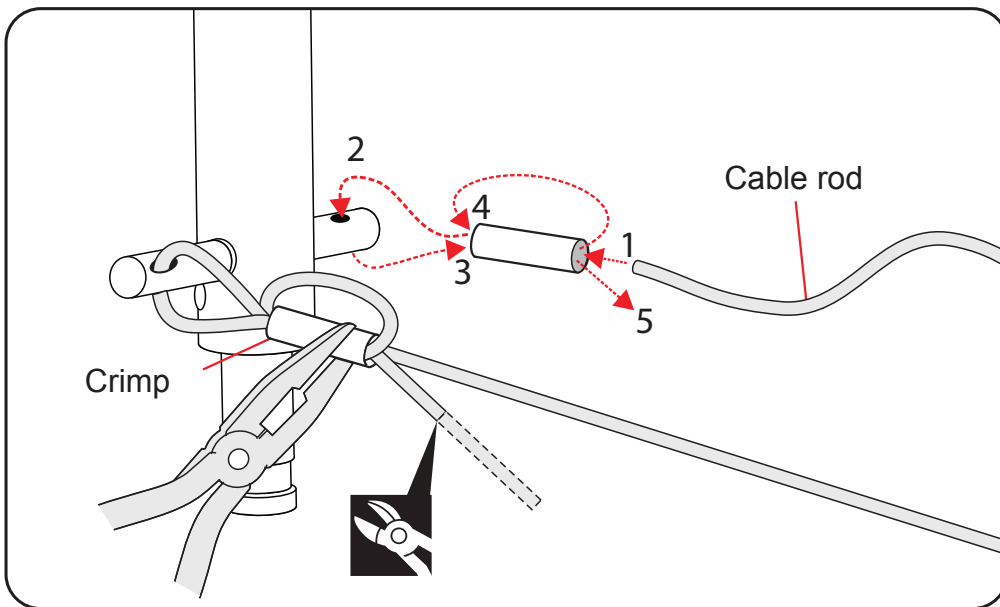
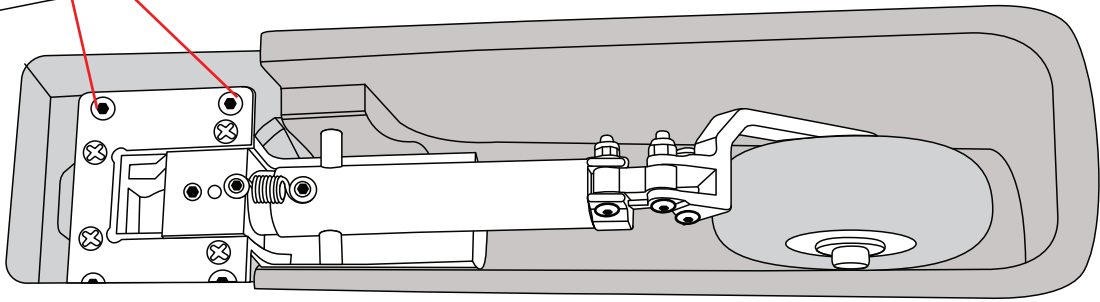
 Cut off shaded portion carefully.


 Apply instant glue (C.A glue, super glue).

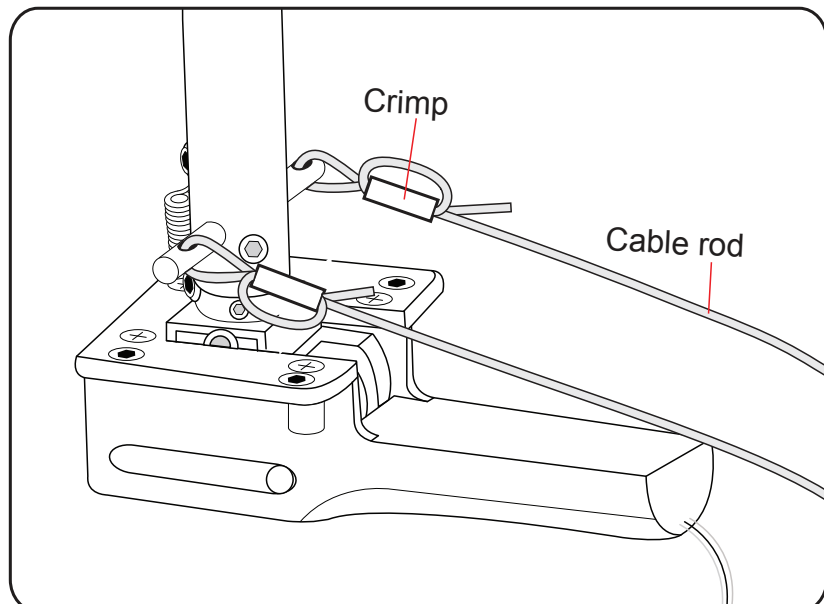
 Drill holes using the stated. (in this case 1.5mm Ø).

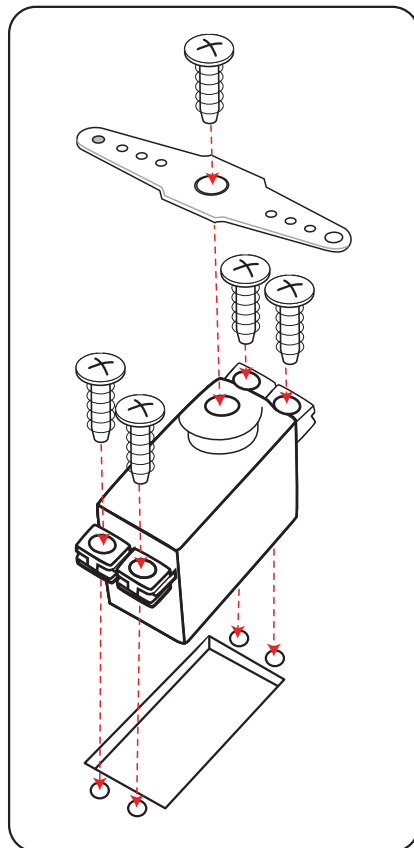
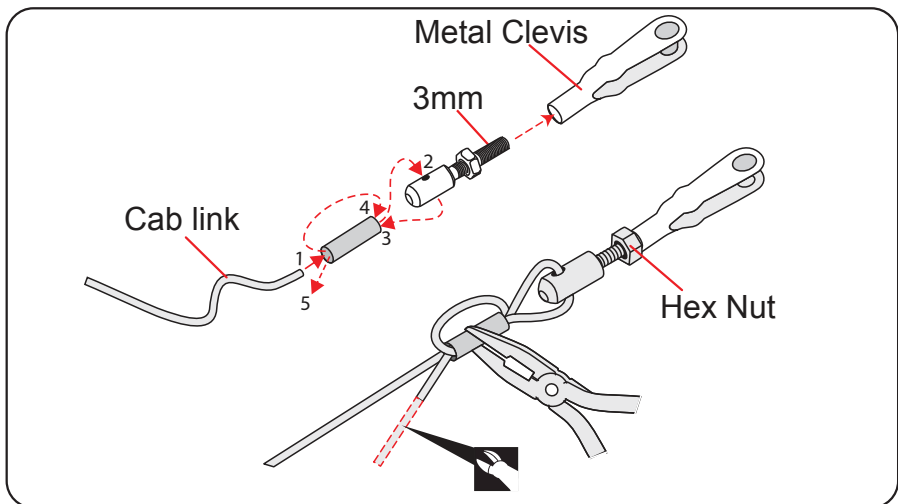
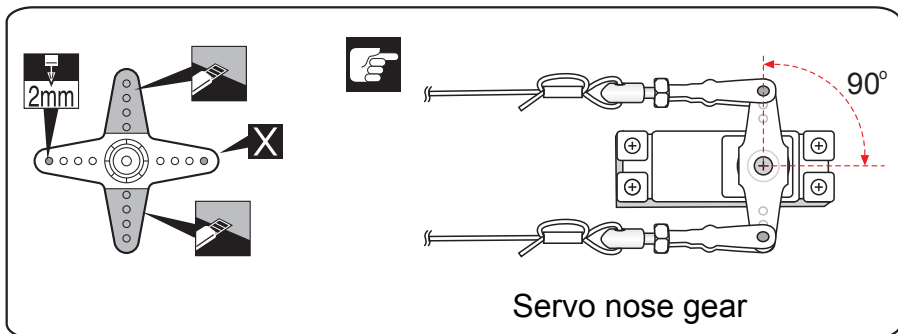
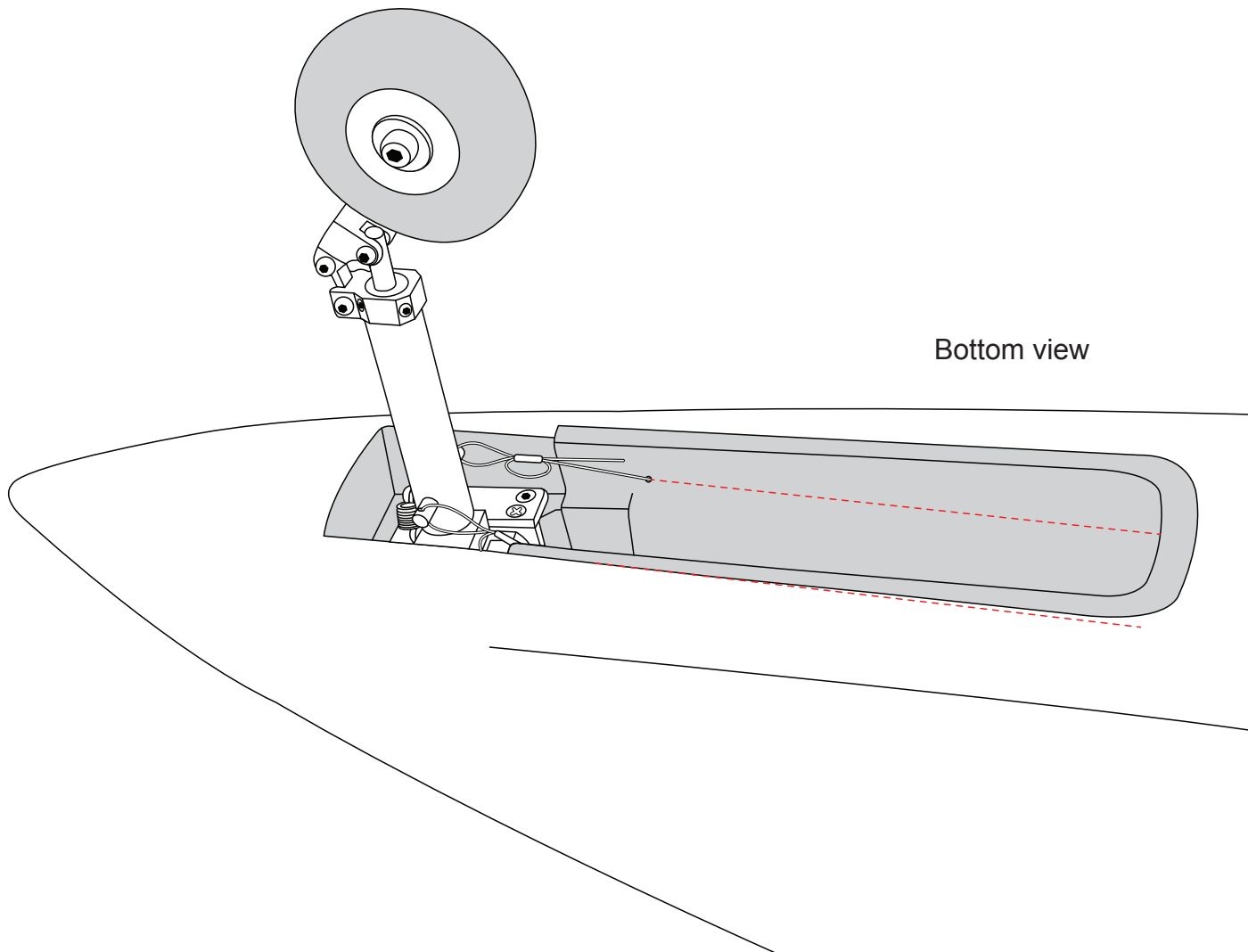
3x20mm Screw

Bottom view



 Cut off excess.





Cut off excess.



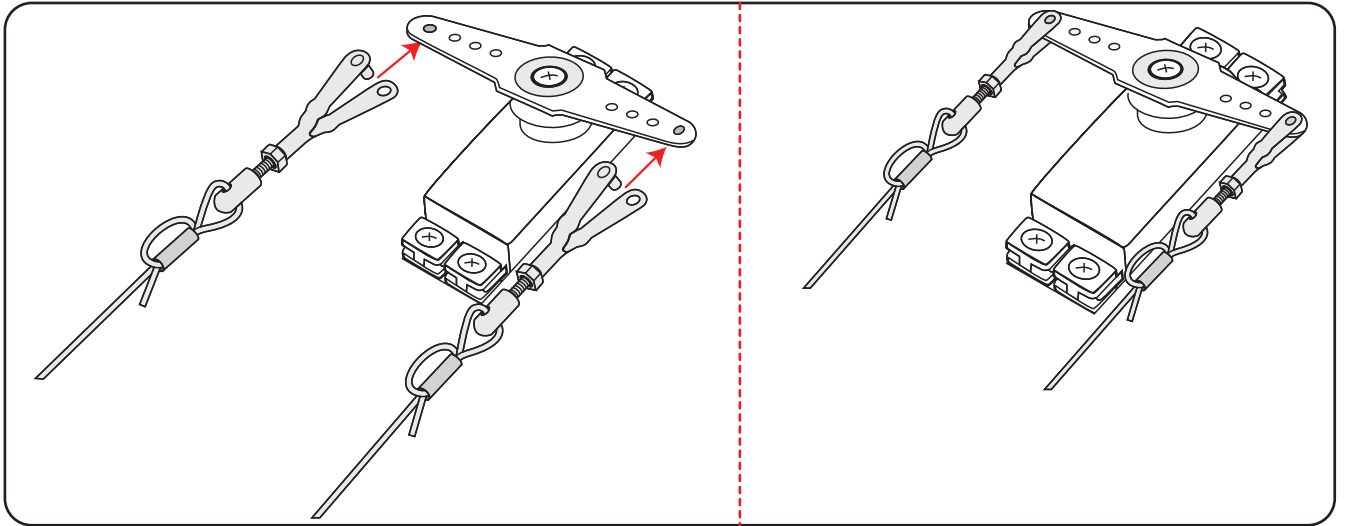
Cut off shaded portion carefully.



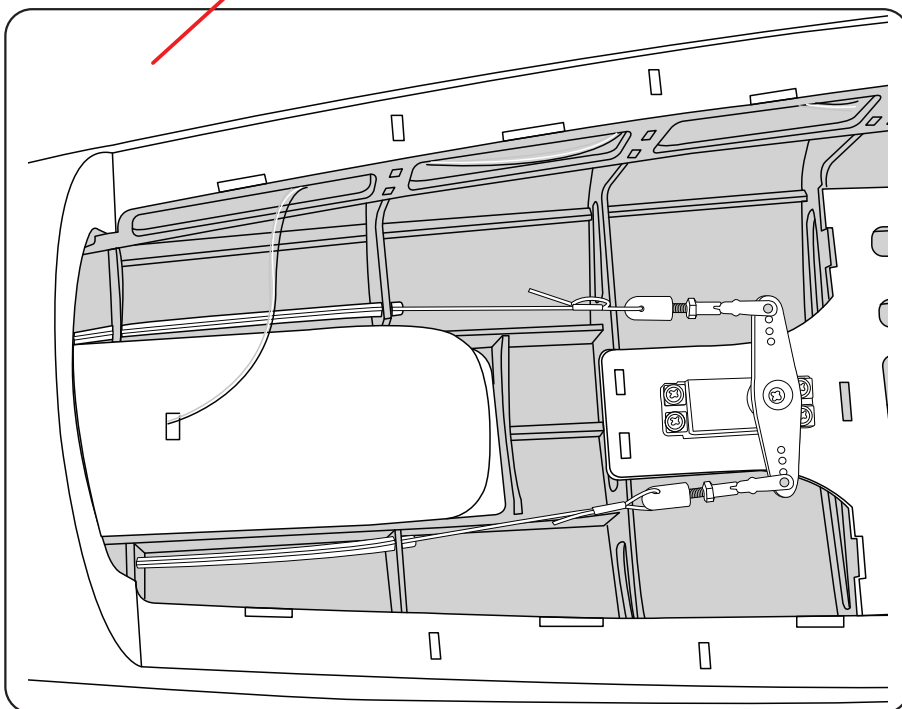
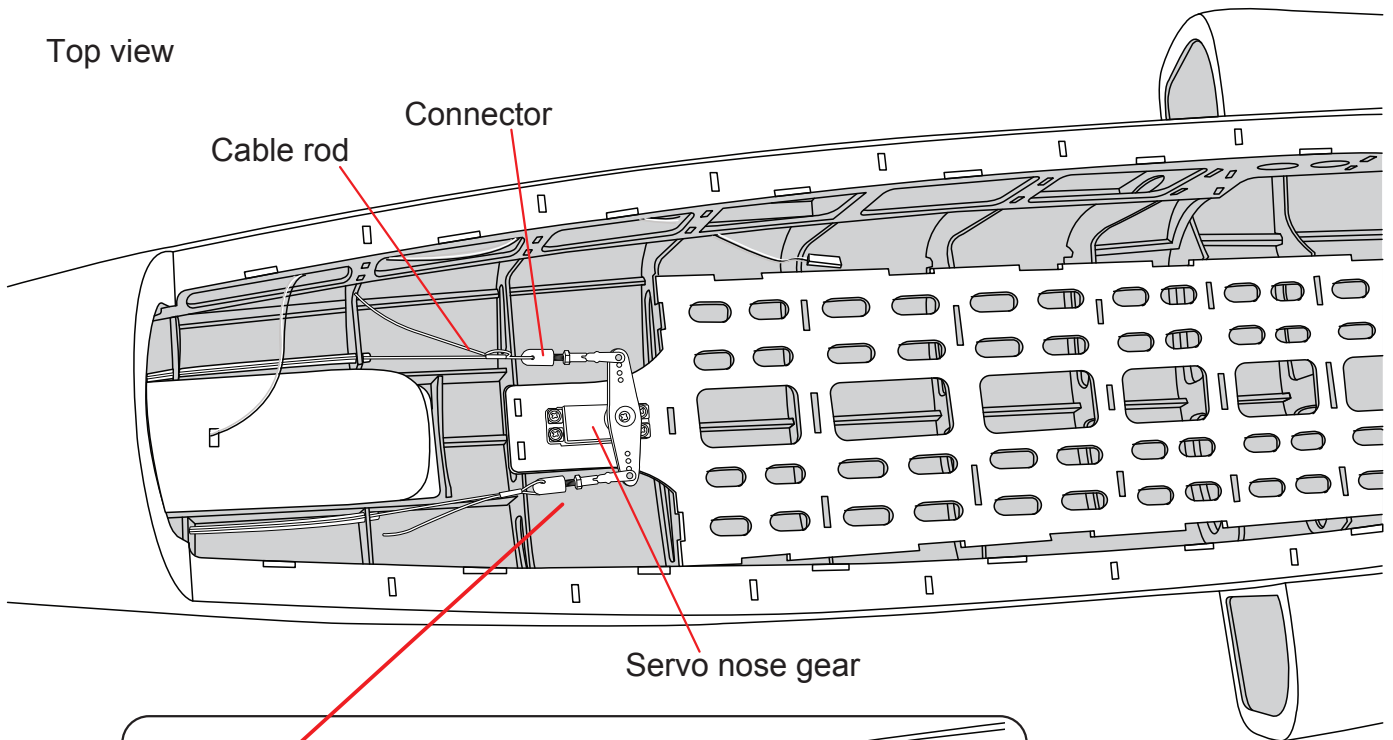
Must be purchased separately!



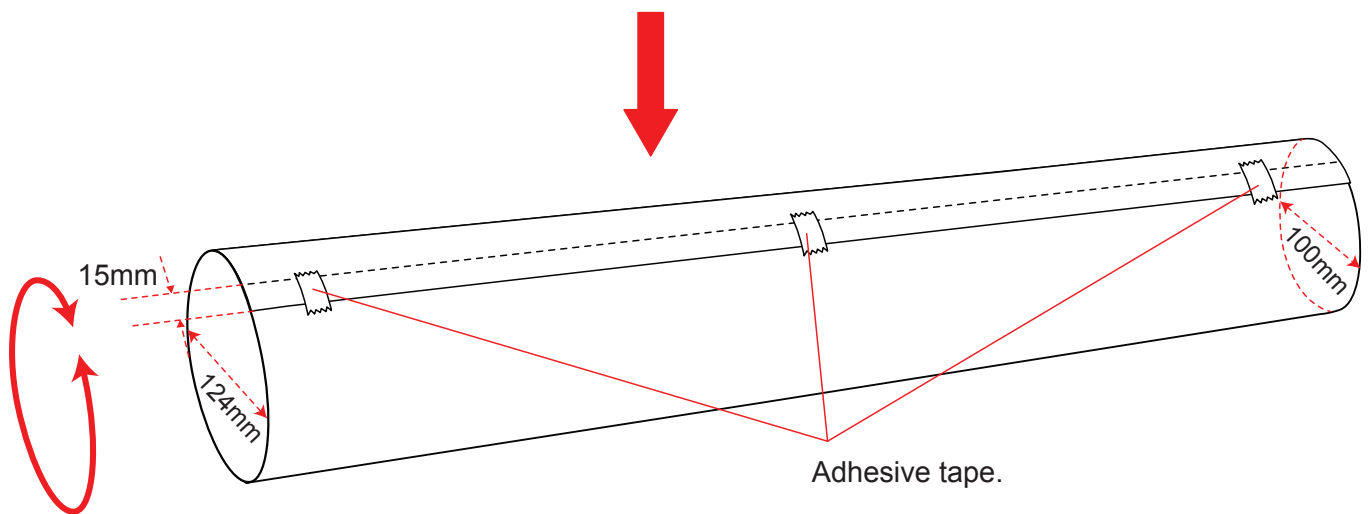
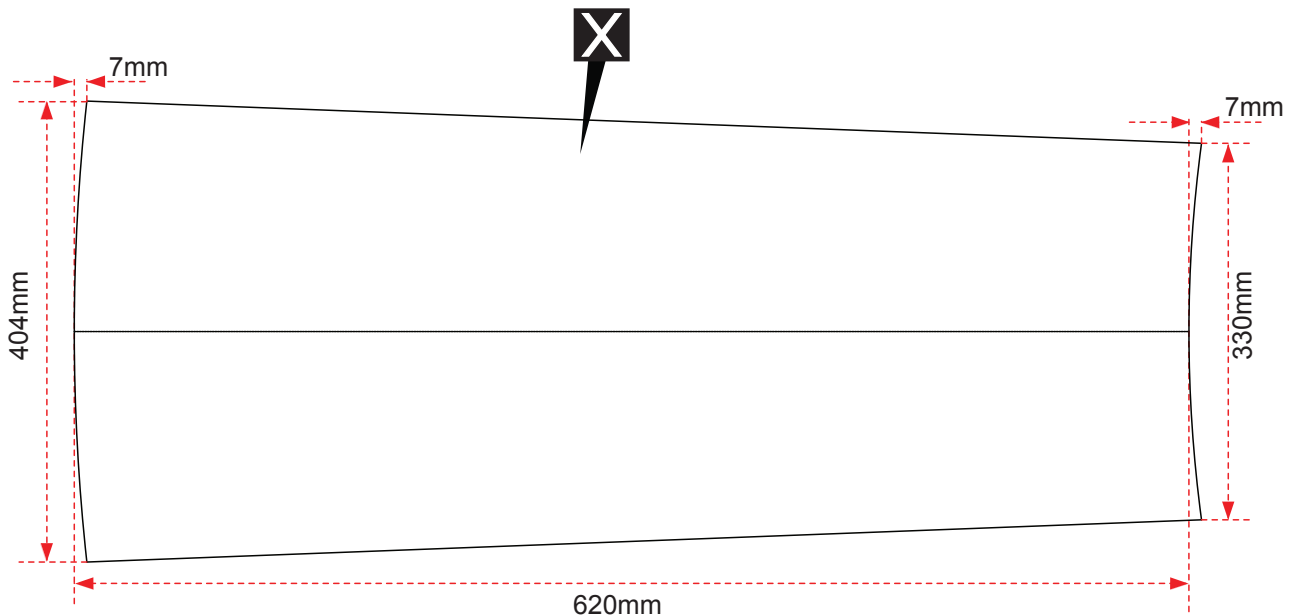
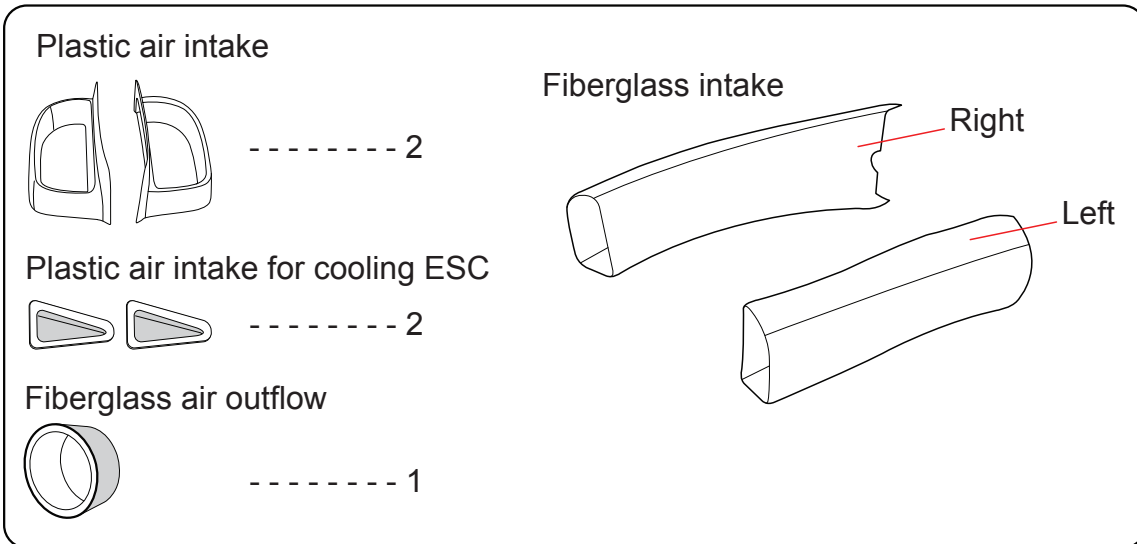
Pay close attention here.



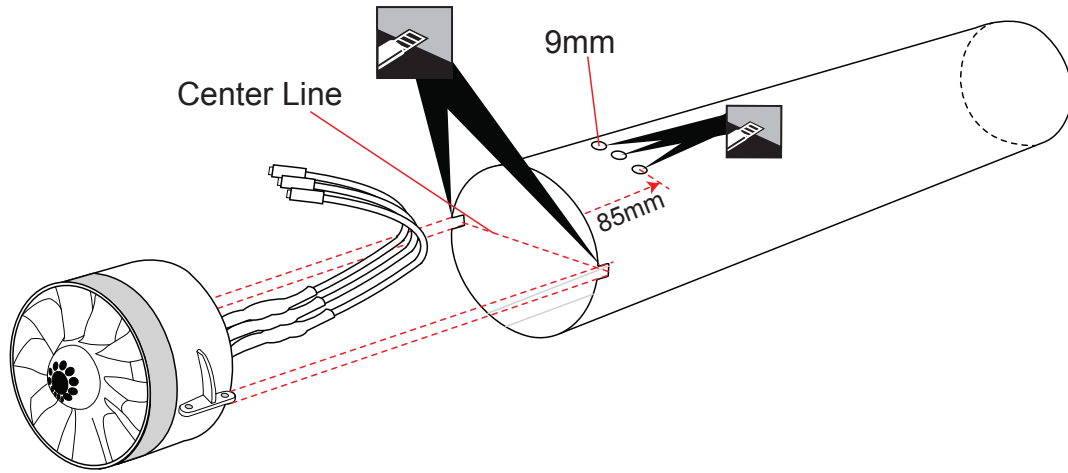
Top view



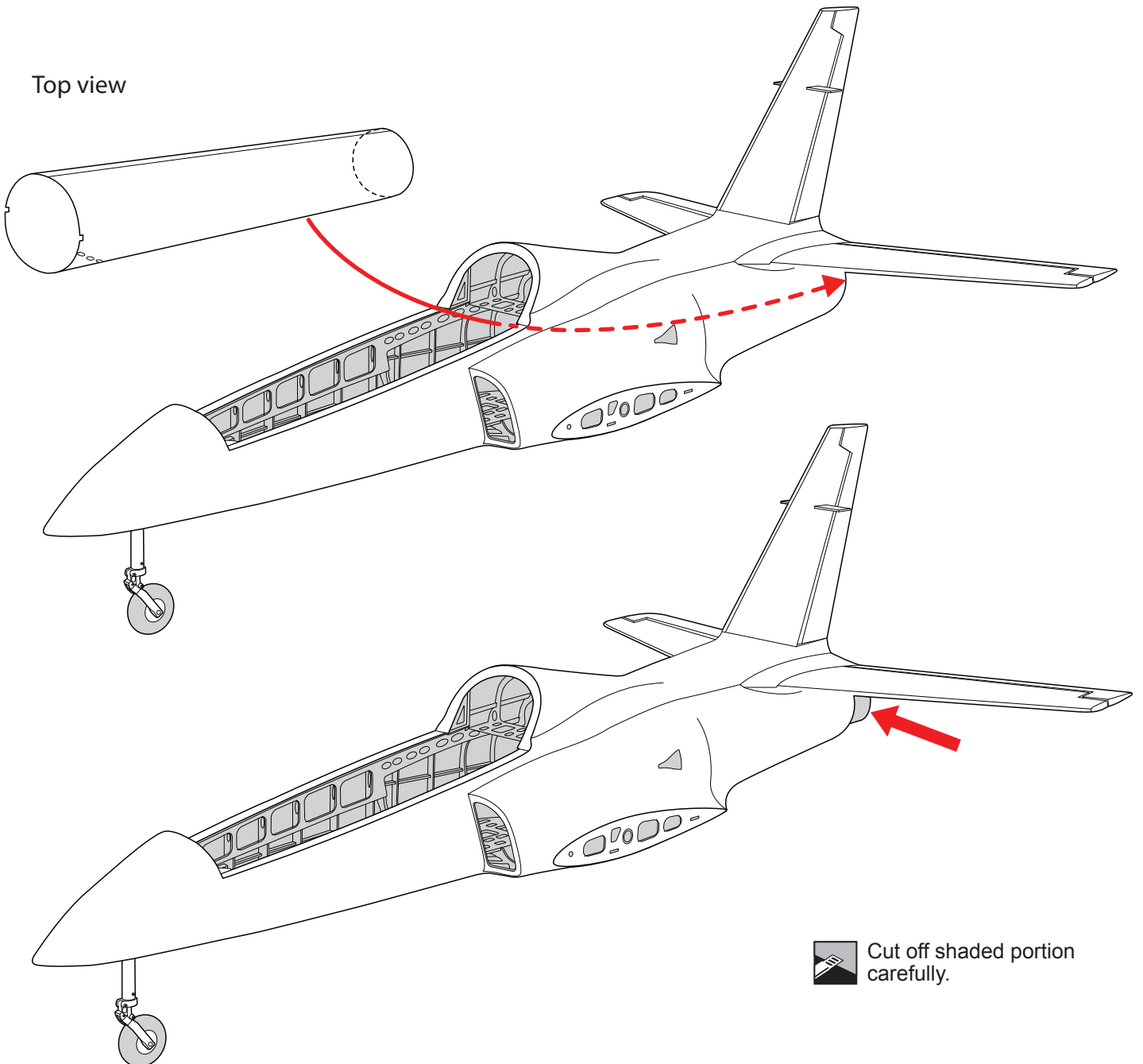
INSTALLING THE EDF AND LIP OF AIR INLET, OUTLET



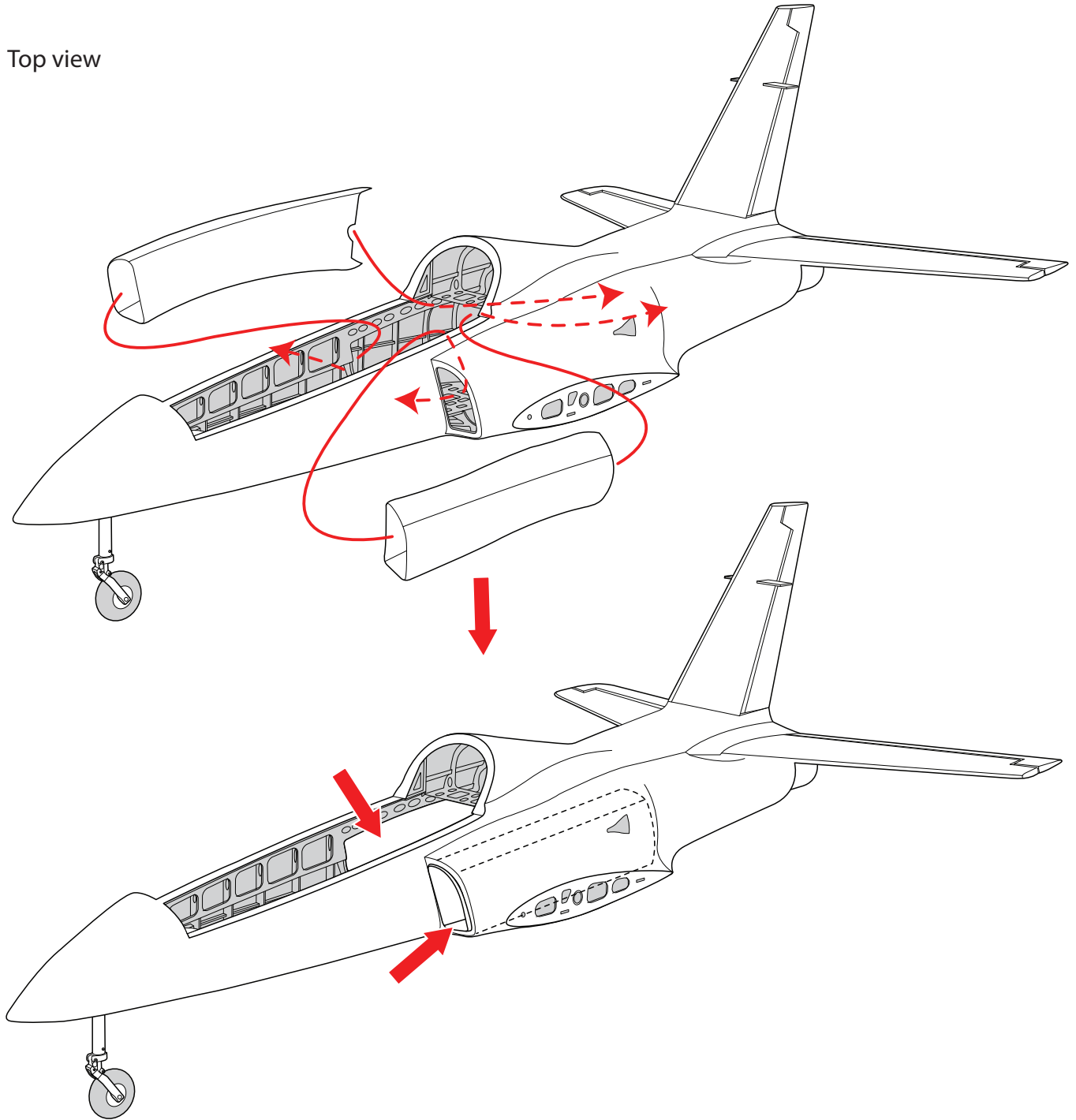
X Must be purchased separately!



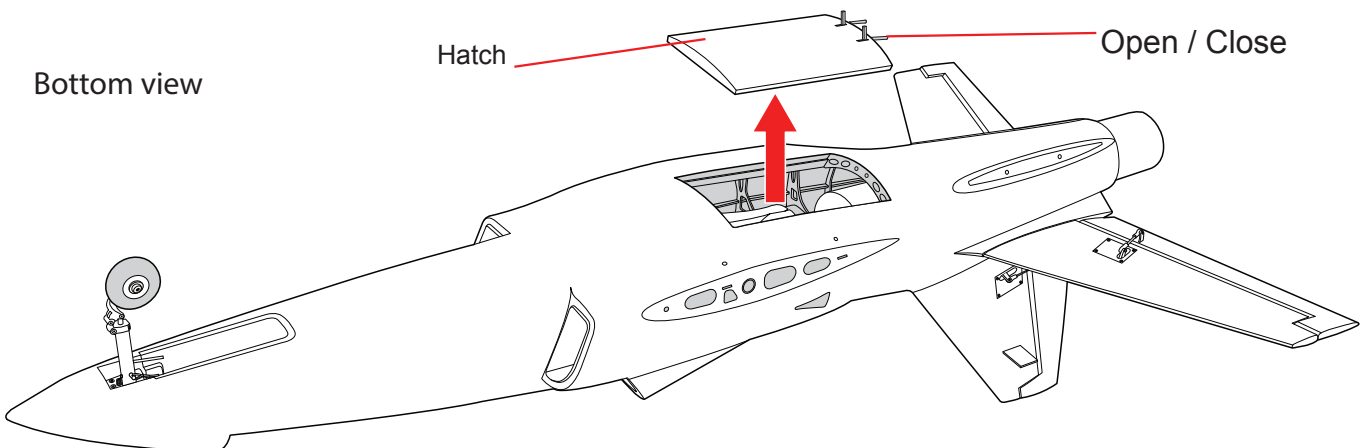
Top view




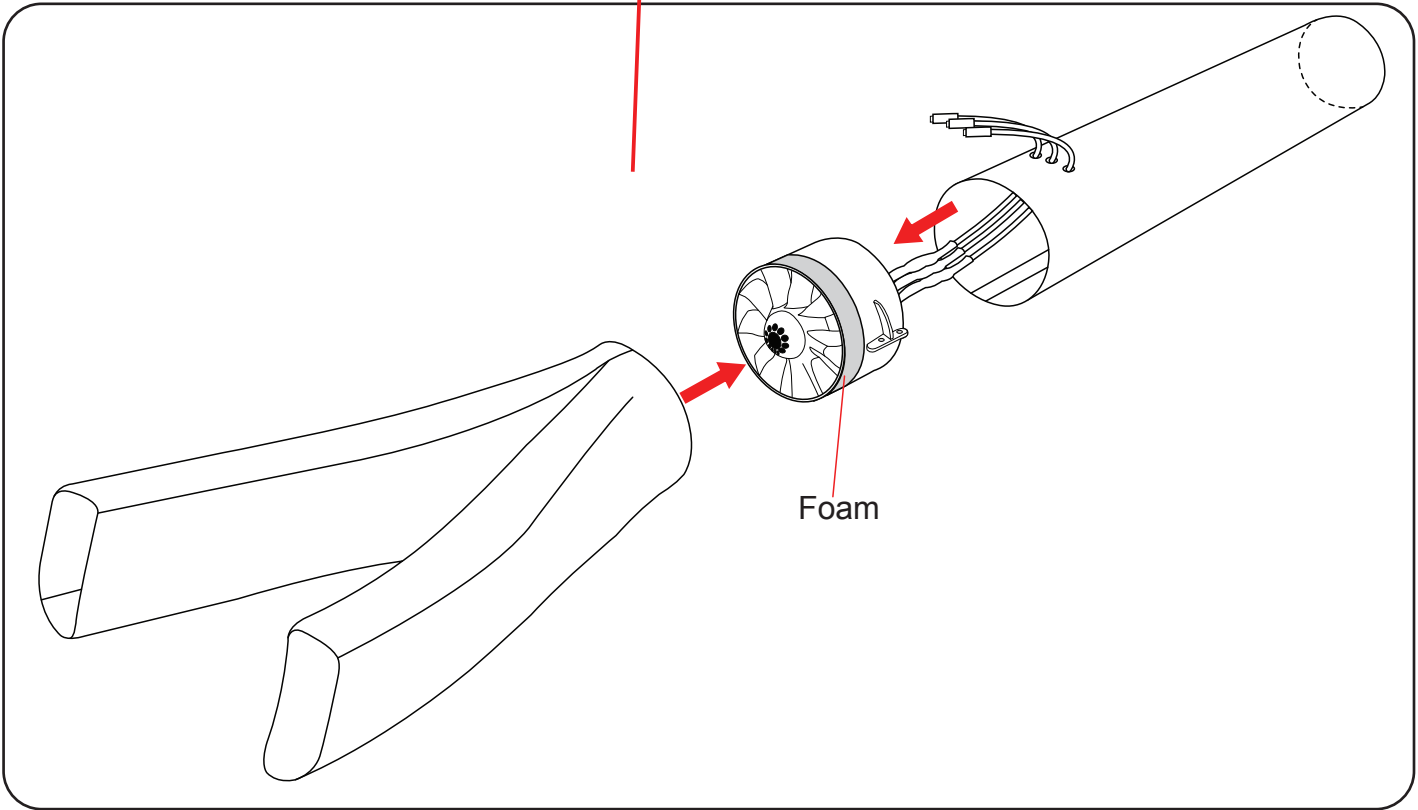
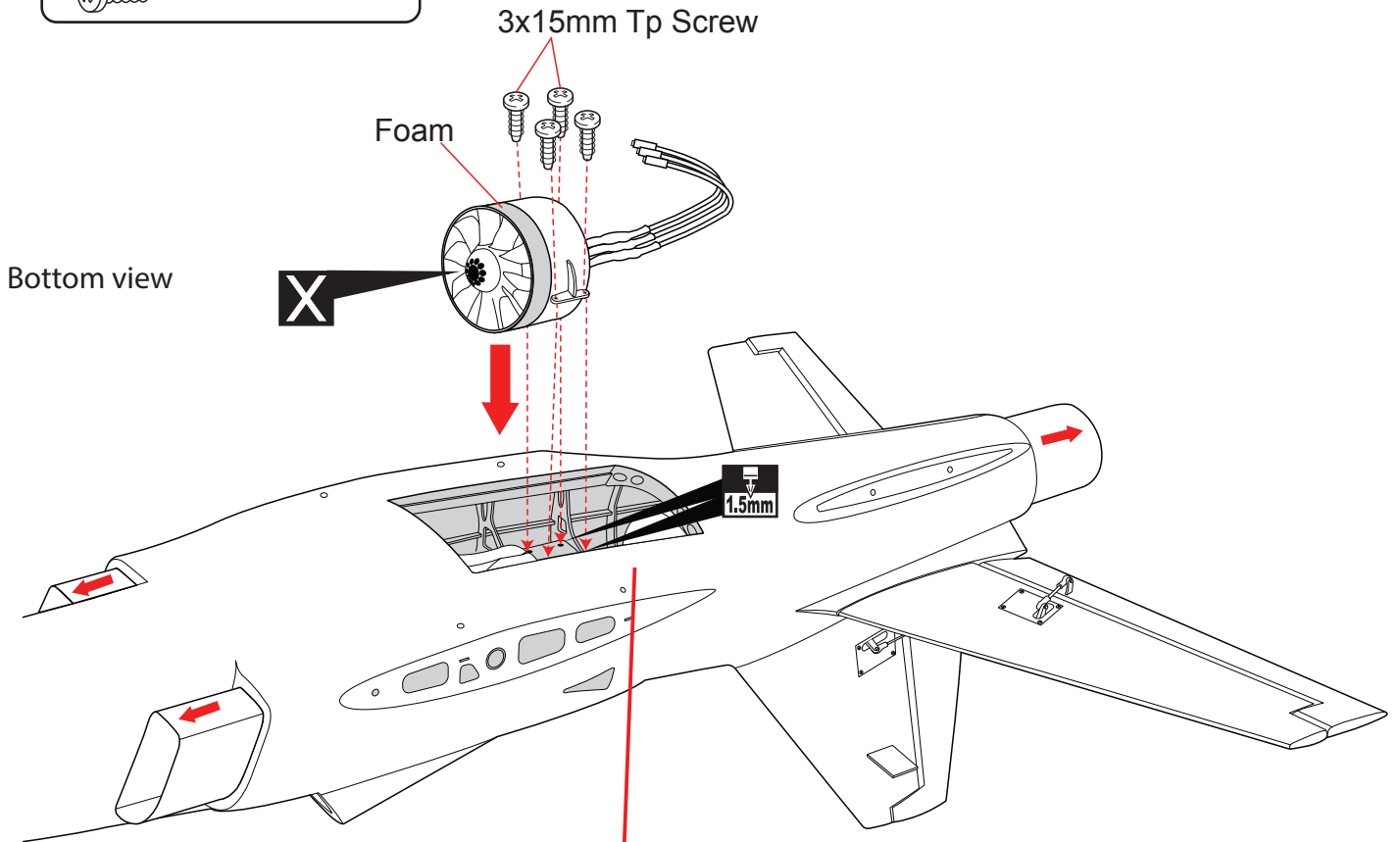
Top view





Bottom view

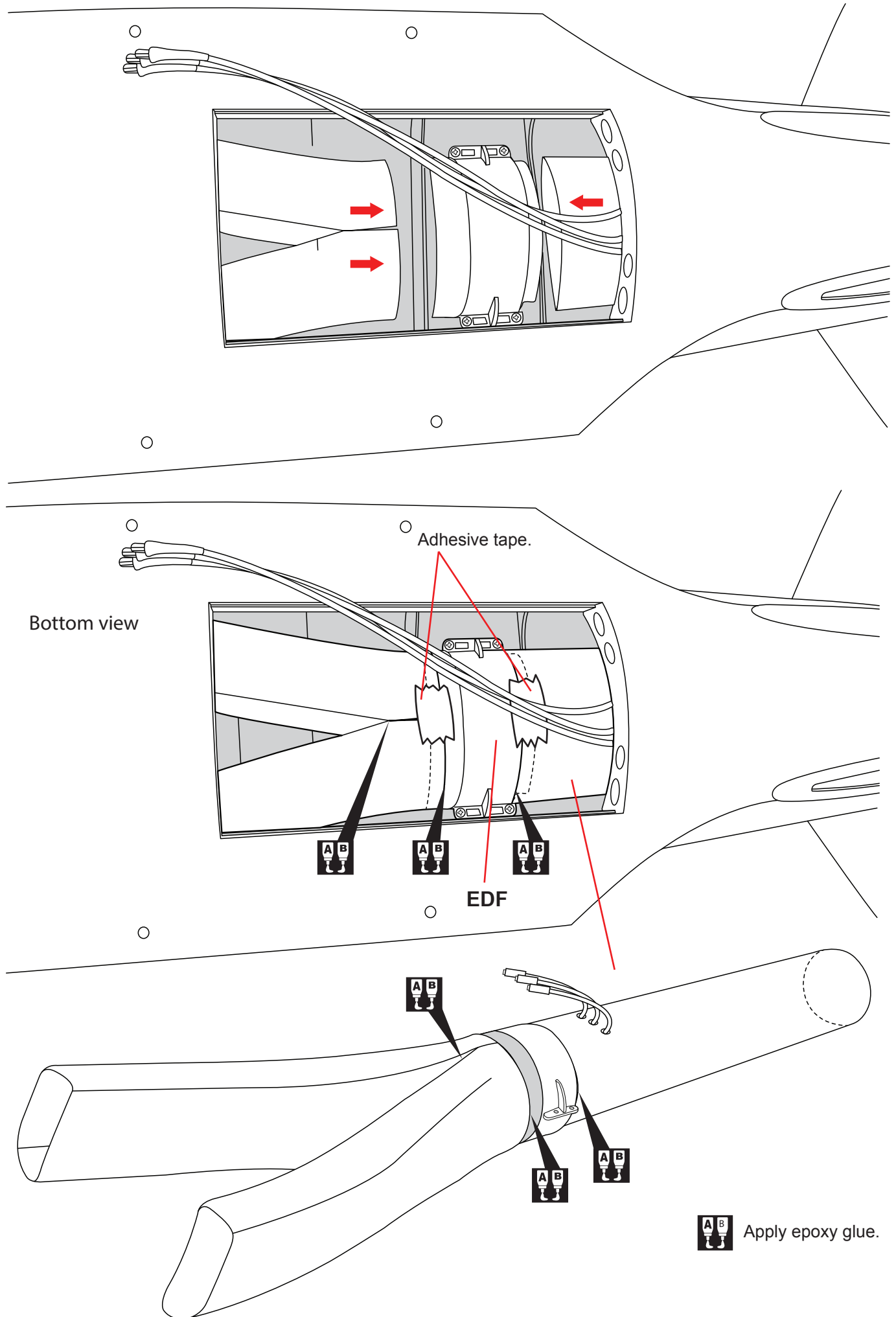


3x15mm Tp Screw
 ----- 4

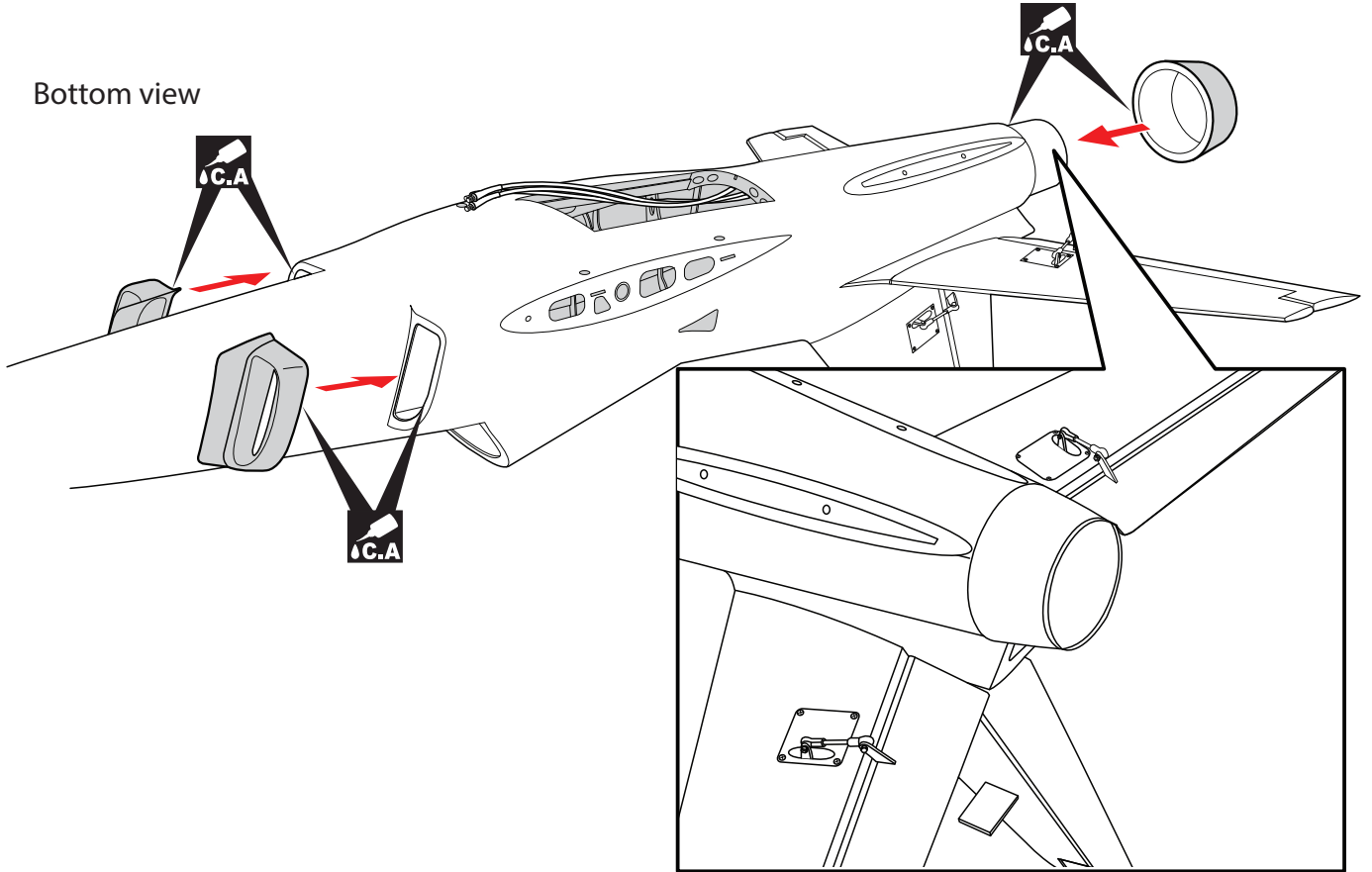


 Must be purchased separately!

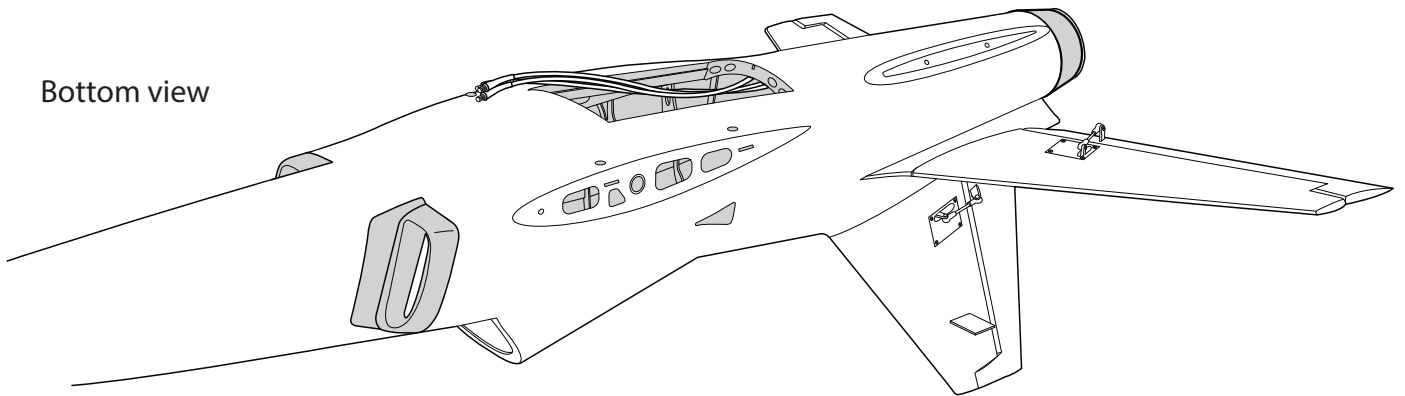
 Drill holes using the stated. (in this case 1.5mm Ø).



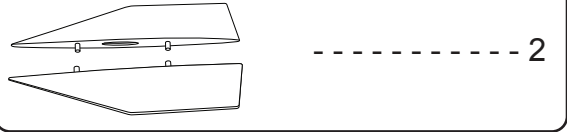
Bottom view



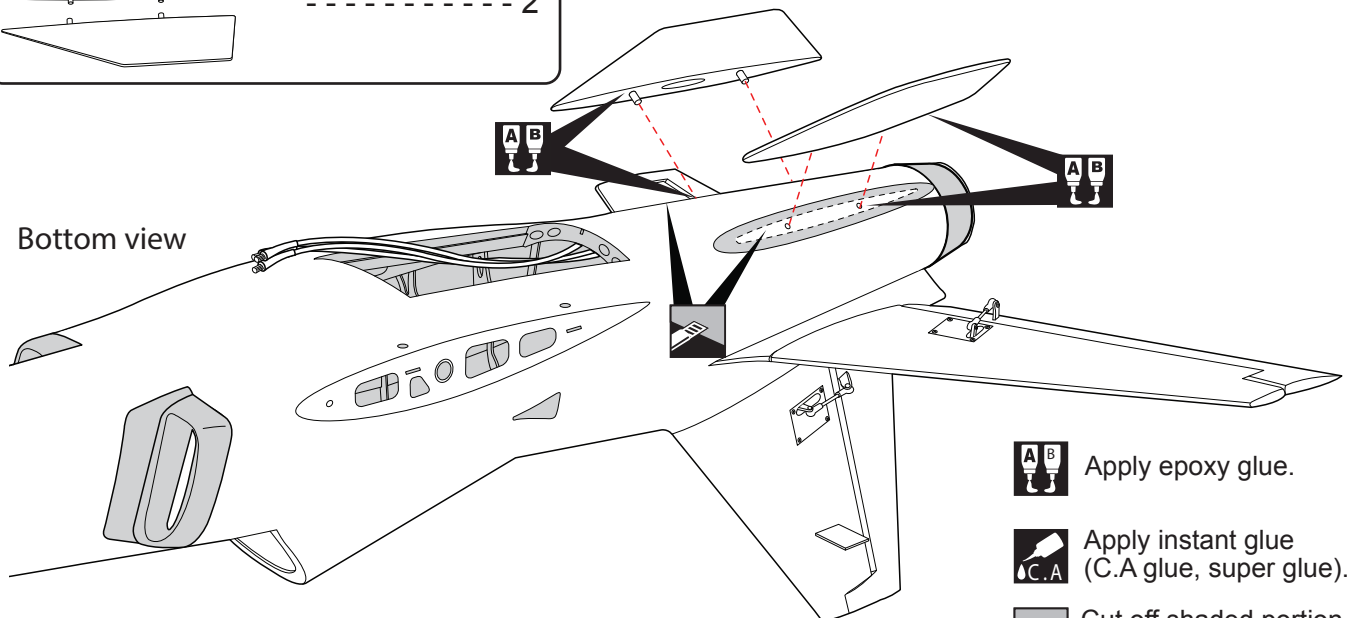
Bottom view



Ply Wood part for the rear bottom fuselage



Bottom view



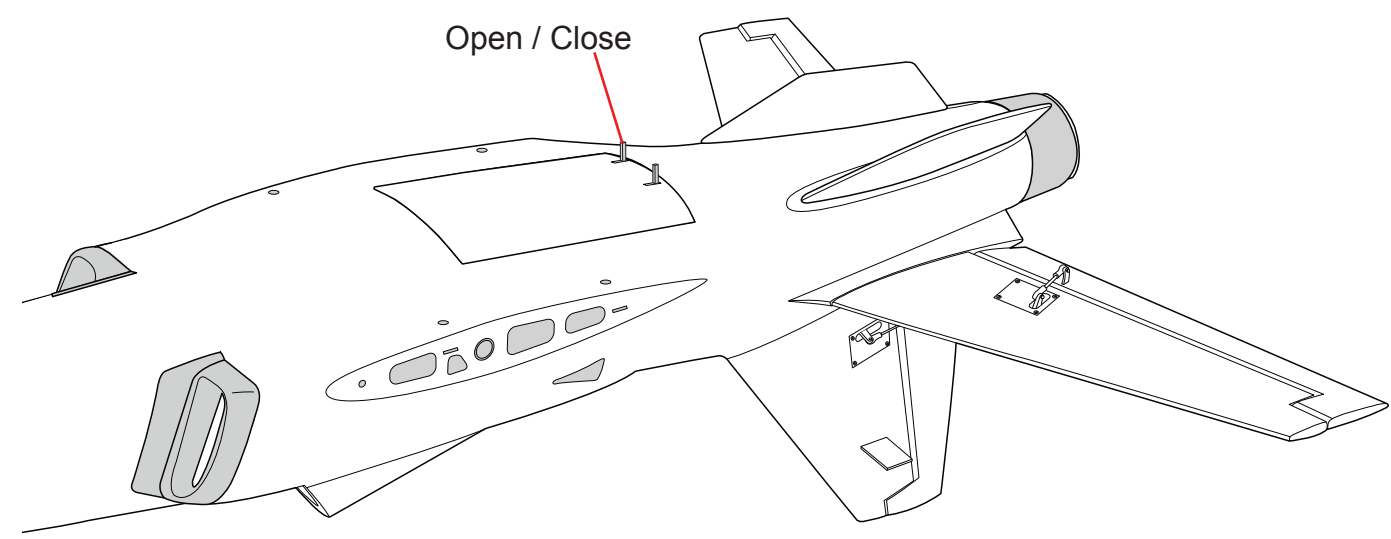
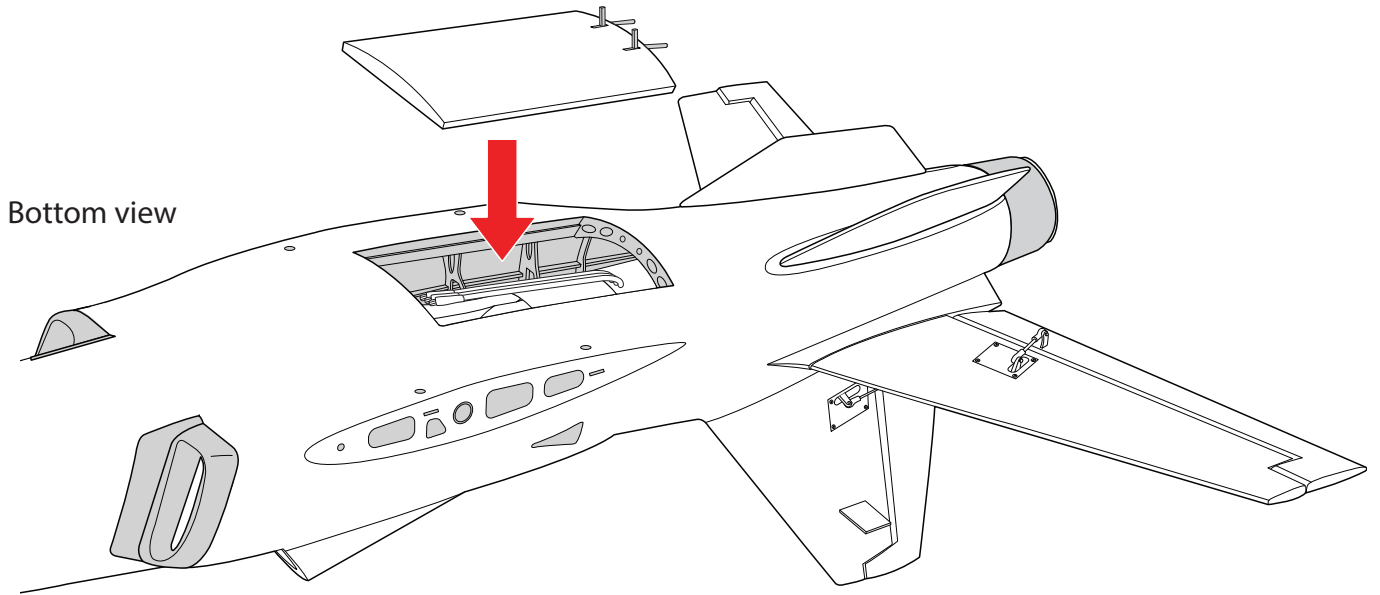
Apply epoxy glue.



Apply instant glue (C.A glue, super glue).

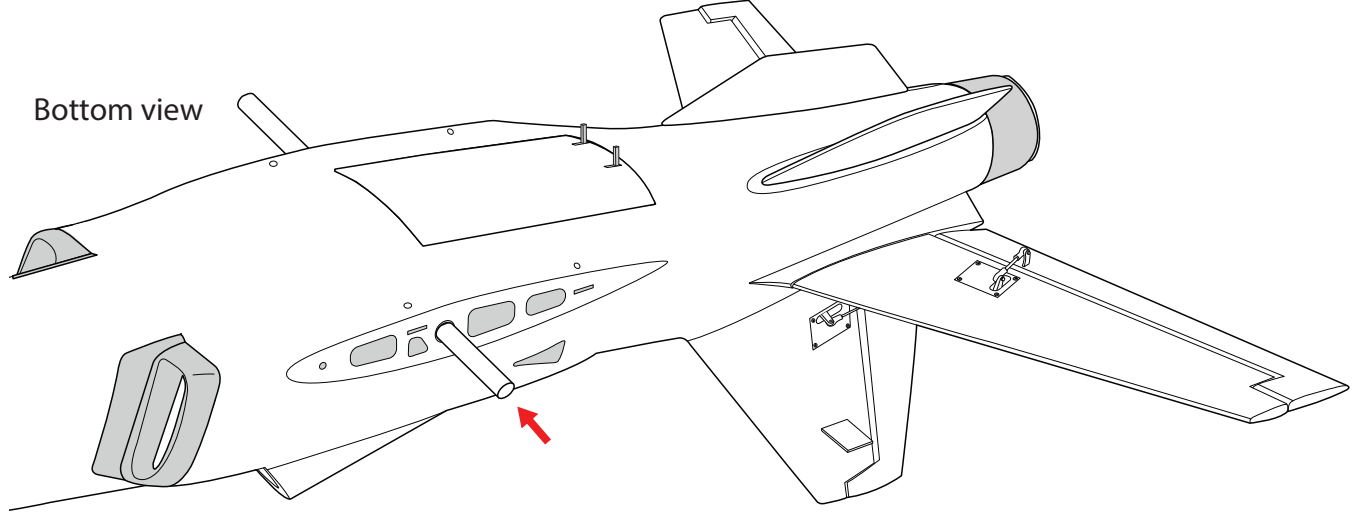
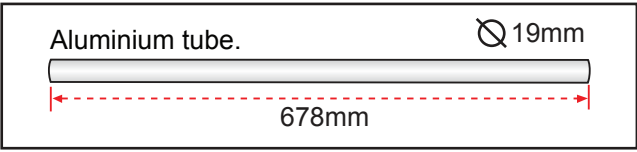


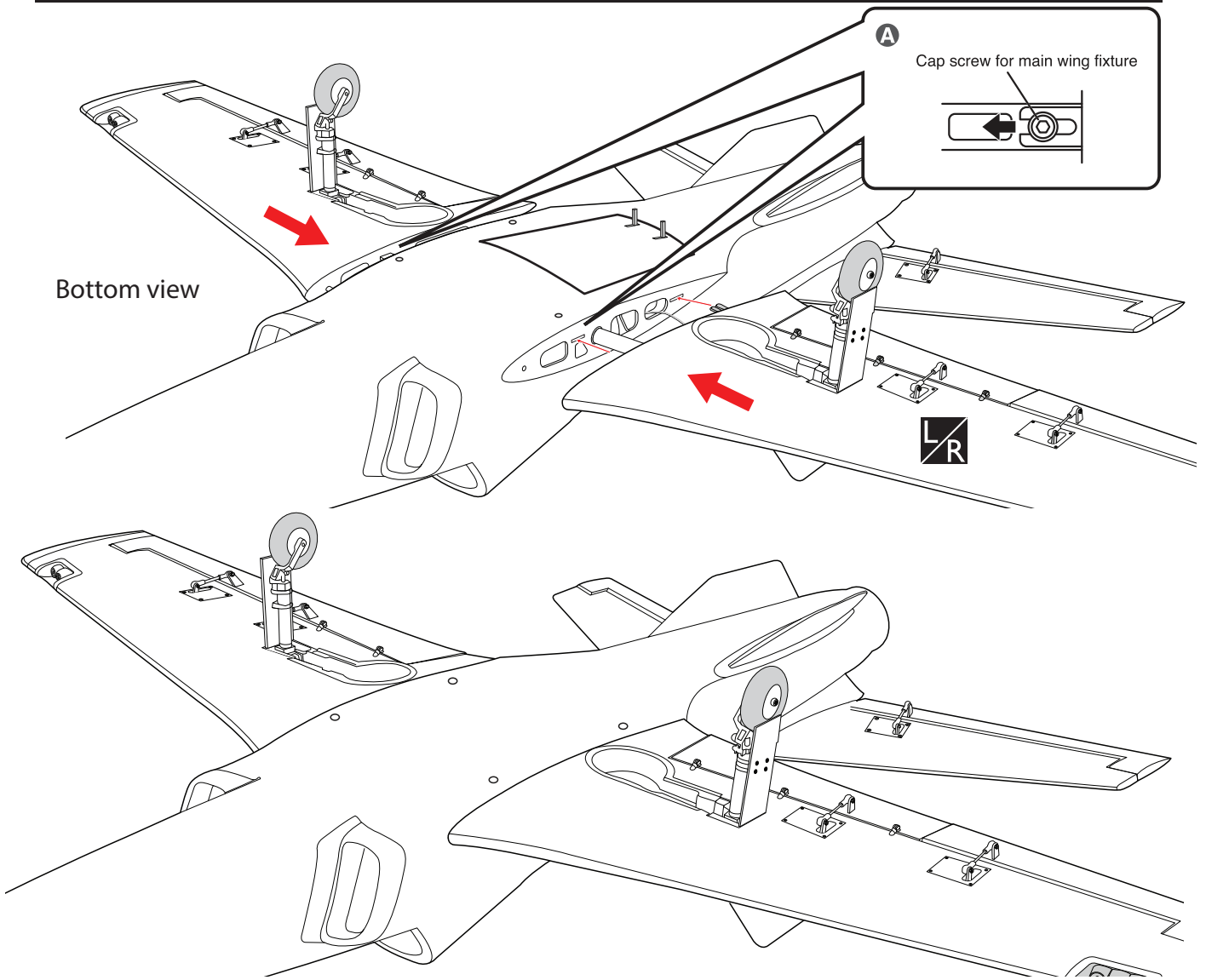
Cut off shaded portion carefully.



SECURE THE WING TO THE FUSELAGE


Attach the wings to the fuselage and secure the wing panels.





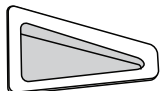
Bottom view

A Cap screw for main wing fixture

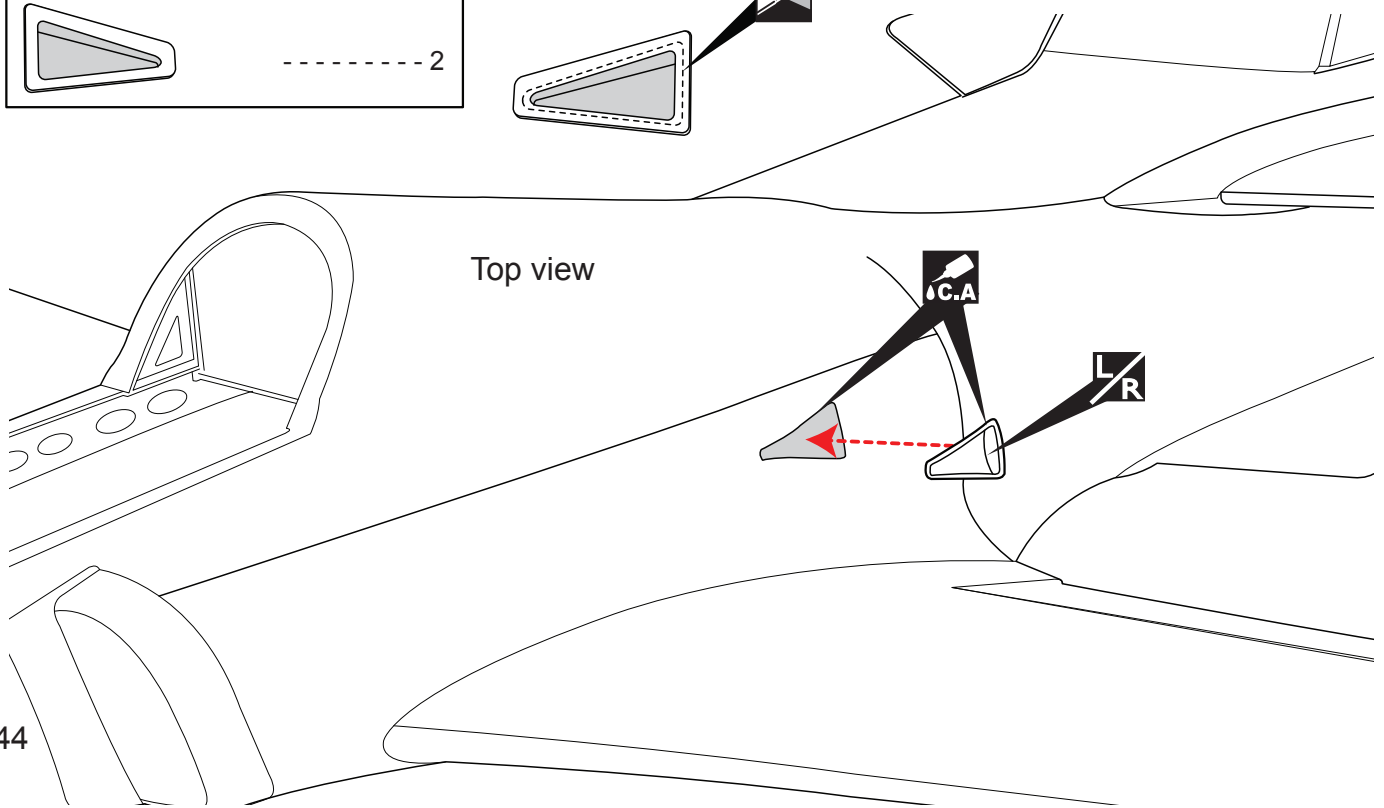
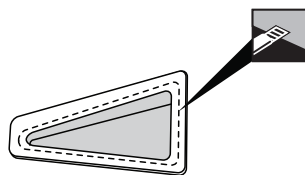
 Assemble left and right sides the same way.

A Main wing must be inserted and attached completely before fixing with screw.

Plastic air intake for cooling ESC



----- 2

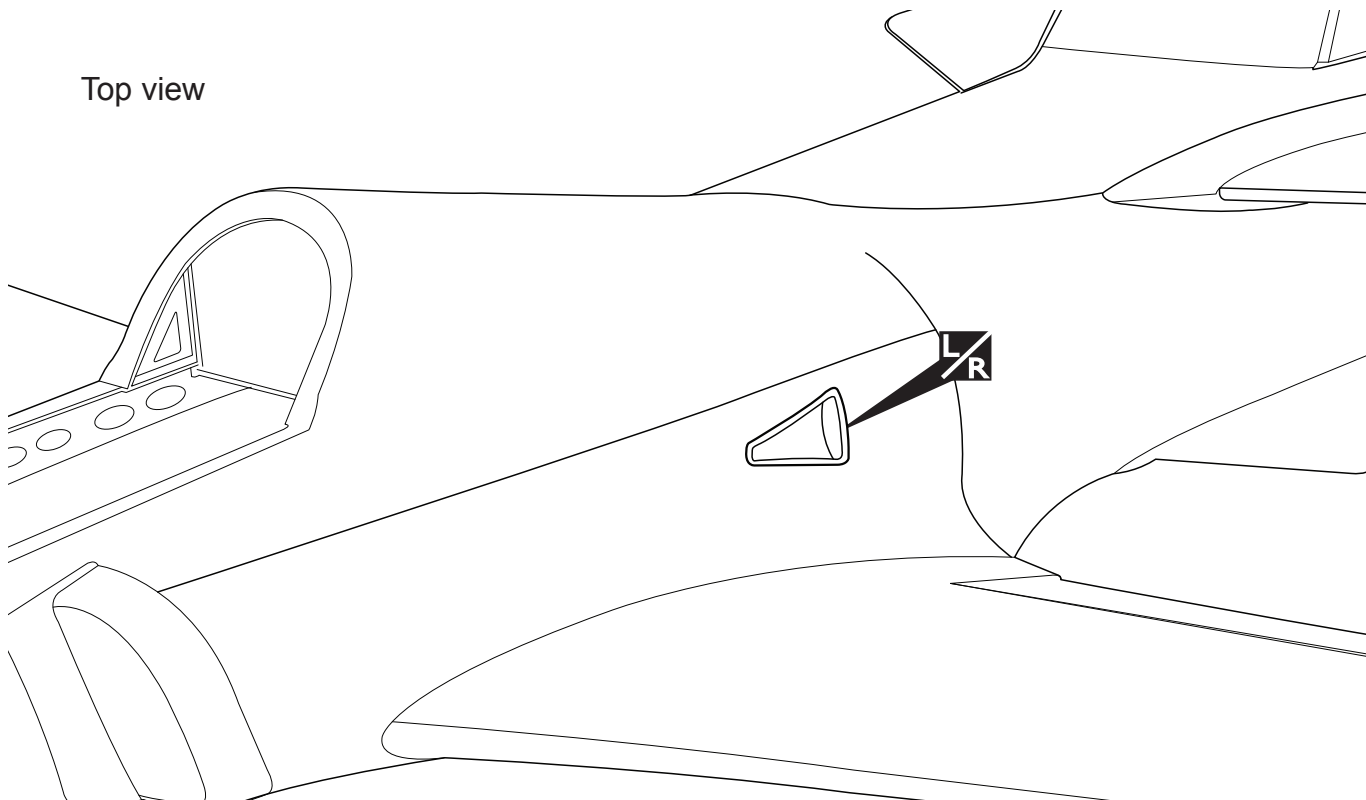


Top view

A.C.A.




Top view



INSTALLING THE RECEIVER AND BATTERY

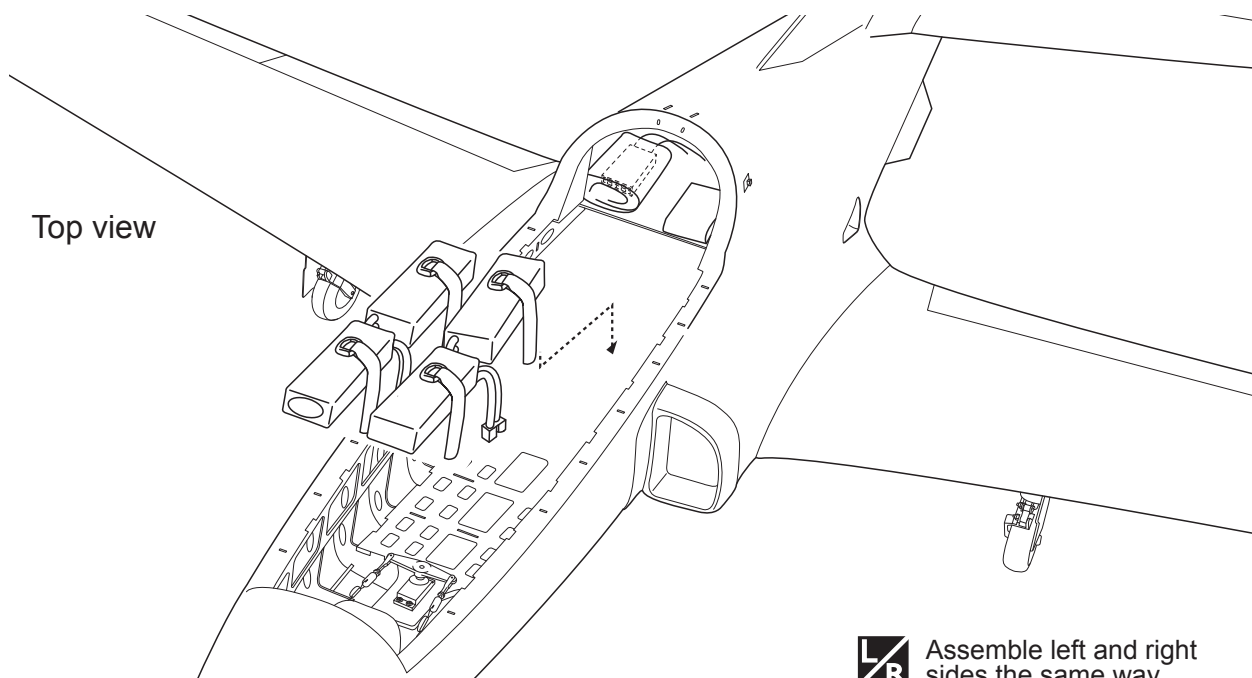
1. Plug the servo leads and the switch lead into the receiver. You may want to plug an aileron extension into the receiver to make plugging in the aileron servo lead easier when you are installing the wing. Plug the battery pack lead into the switch.
2. Wrap the receiver and battery pack in the protective foam to protect them from vibration. Use a rubber band or masking tape to hold the foam in place.


 **Do not permanently secure the receiver and battery until after balancing the model.**

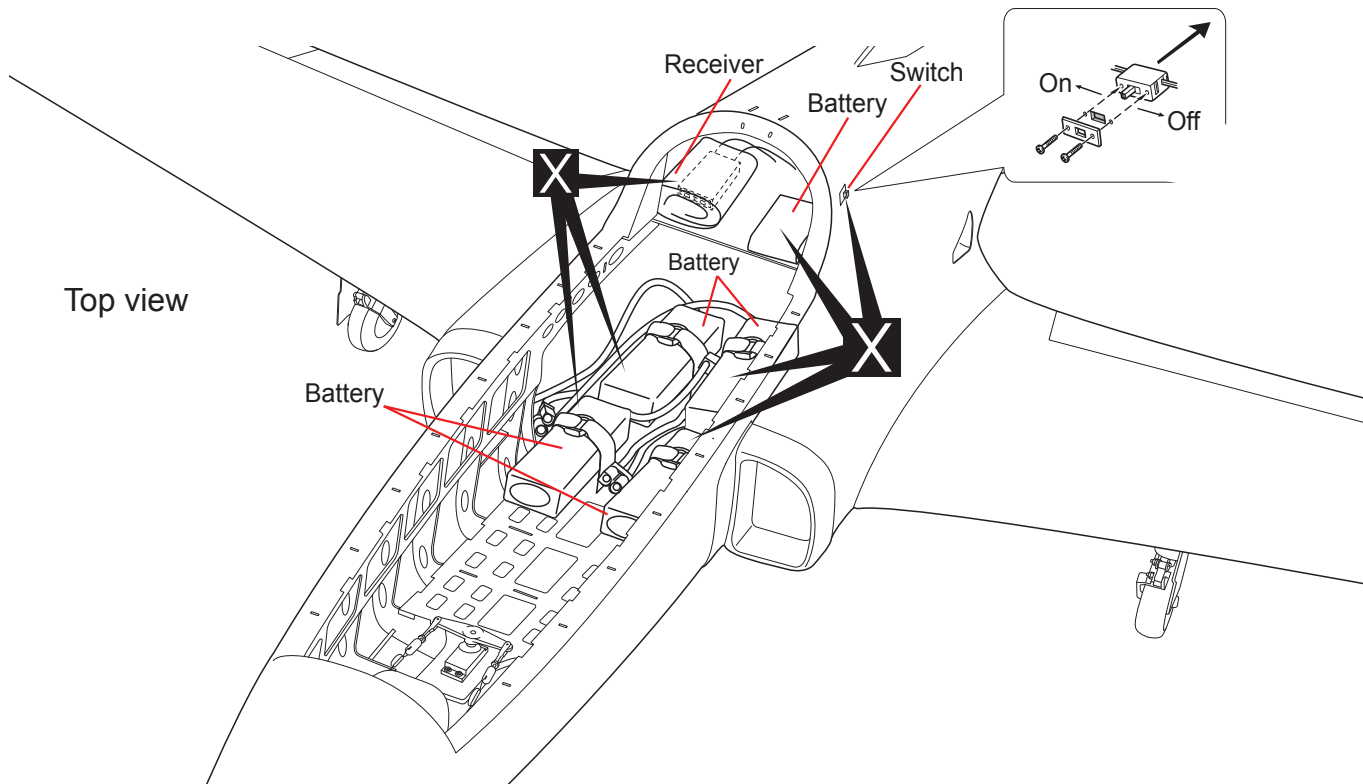
INSTALLING THE SWITCH

1. The switch should be mounted on the fuselage side, opposite the muffler, close enough to the receiver so the lead will reach. Use the face plate of the switch cut out and locate the mounting holes.
2. Cut out the switch hole using a modeling knife. Use a 2mm drill bit and drill out the two mounting holes through the fuselage side.
3. Secure the switch in place using the two machine screws provided with the radio system.

Top view

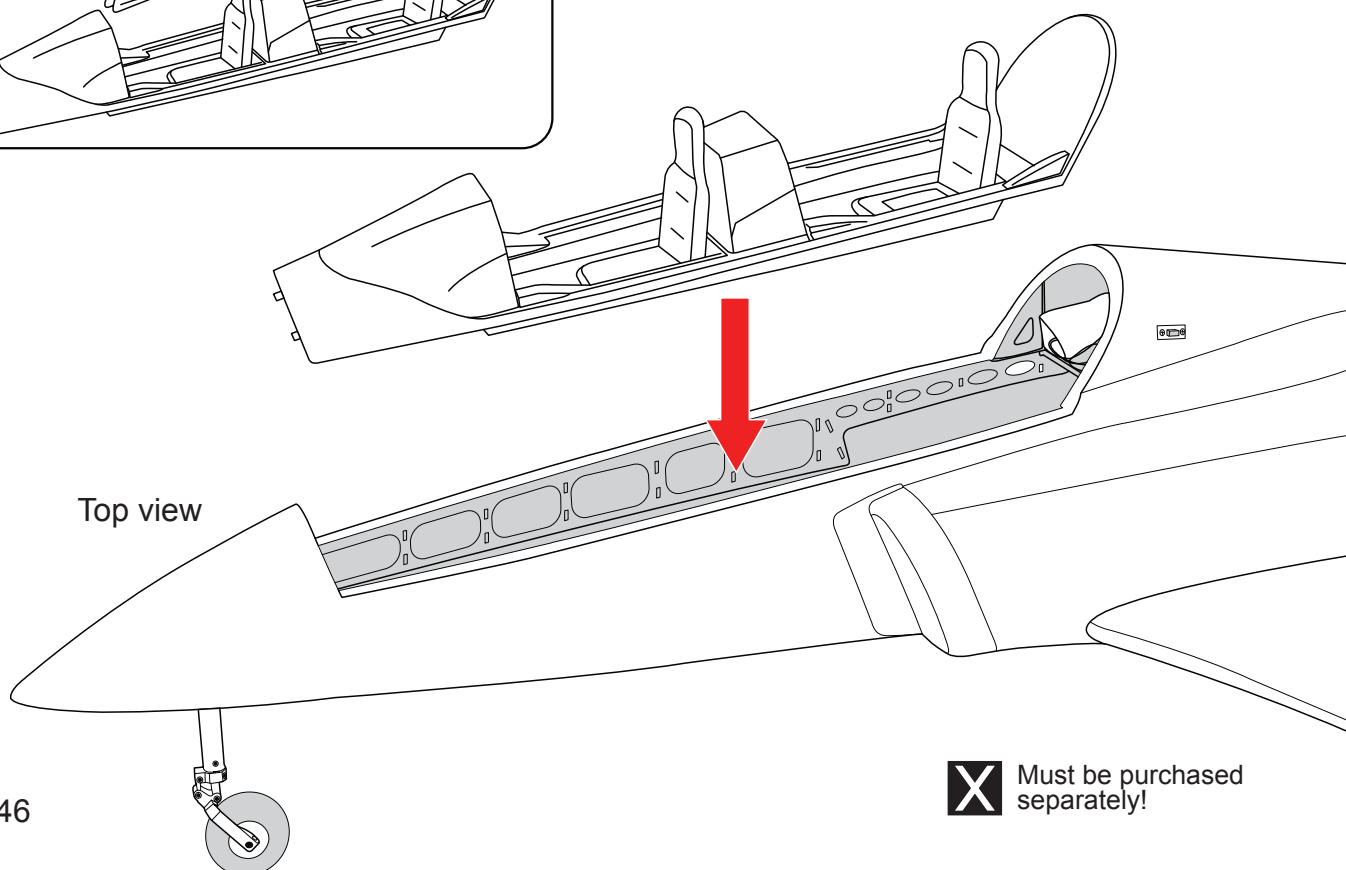
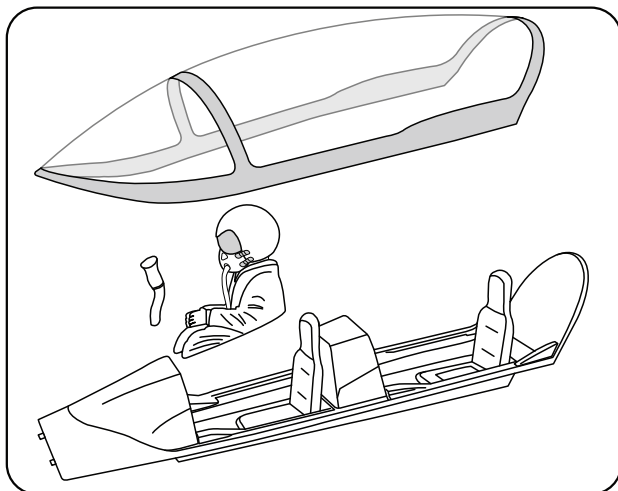


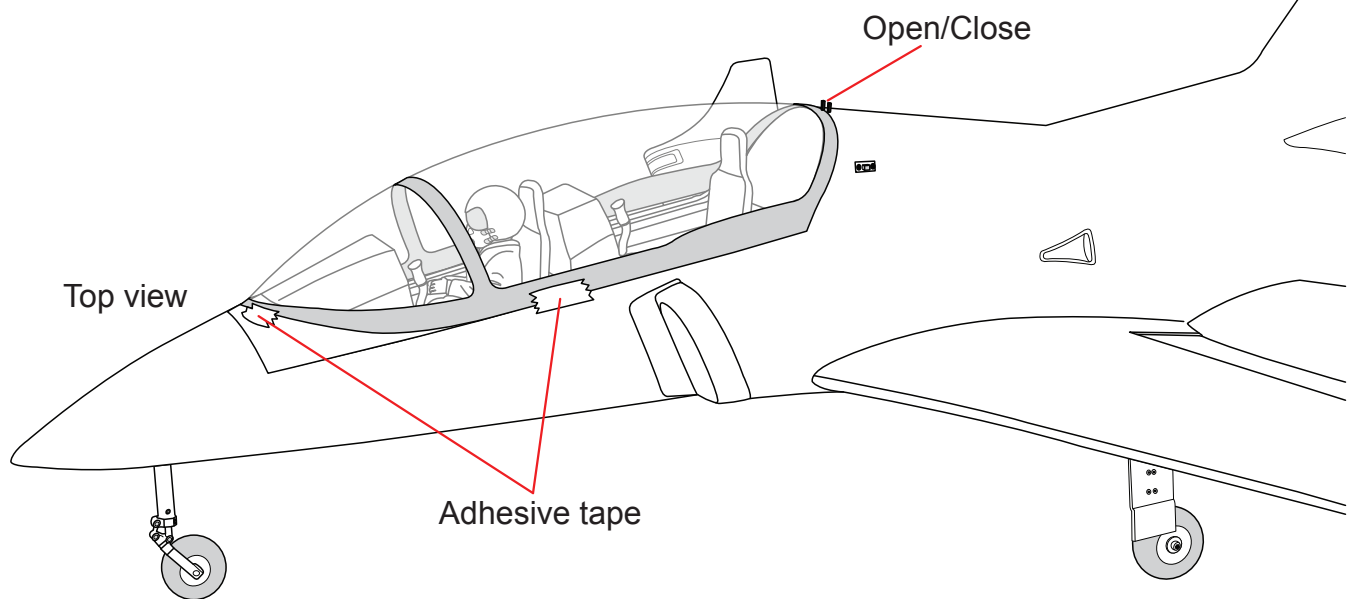
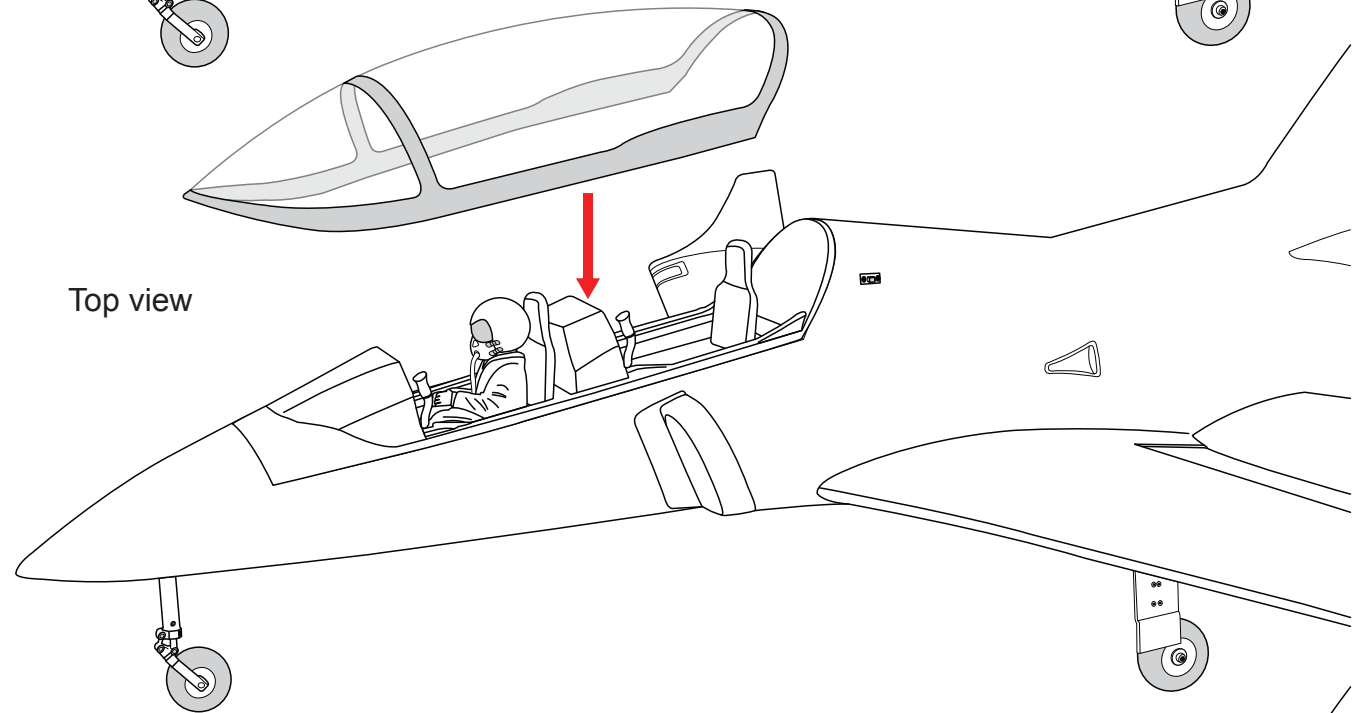
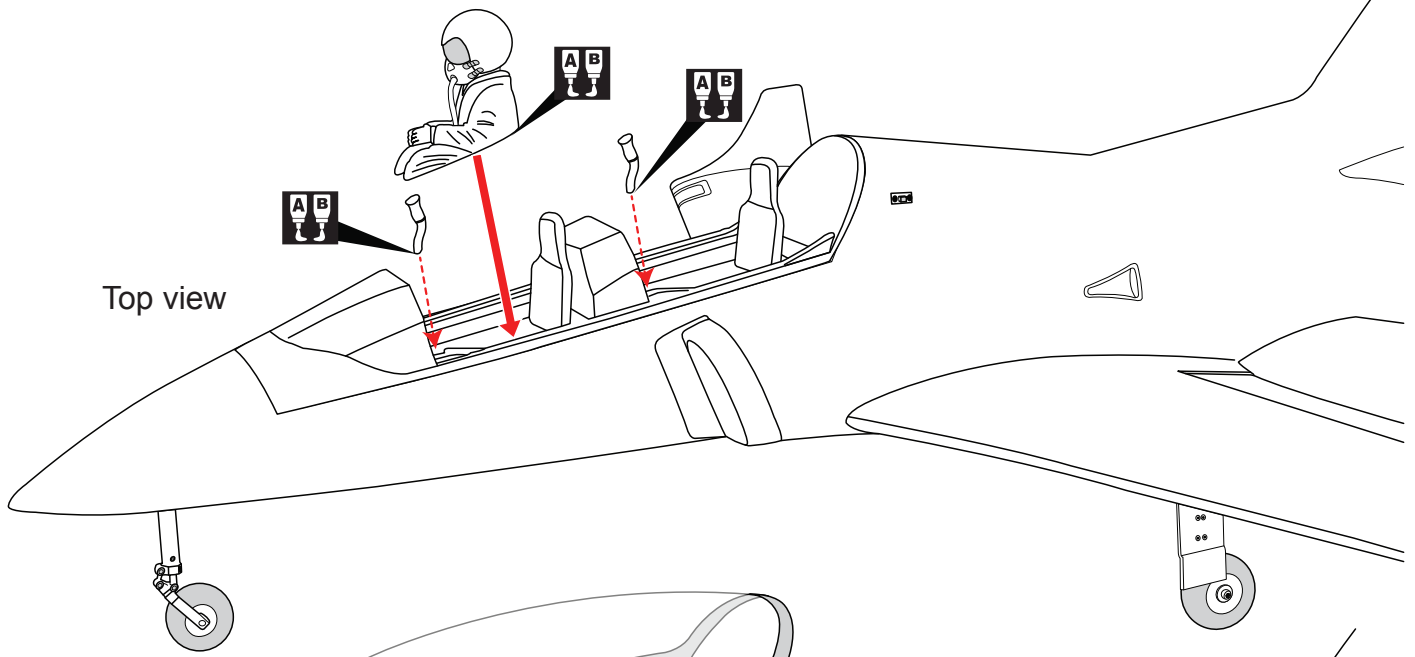
 Assemble left and right sides the same way.




INSTALLING COCKPIT FUSELAGE

Position the canopy so the rear frame on the canopy is aligned with the rear edge of the cockpit opening. Use canopy glue to secure the canopy to the canopy hatch. Use low-tack tape to hold the canopy in position until the glue fully cures. Wrap the tape completely around the canopy hatch.





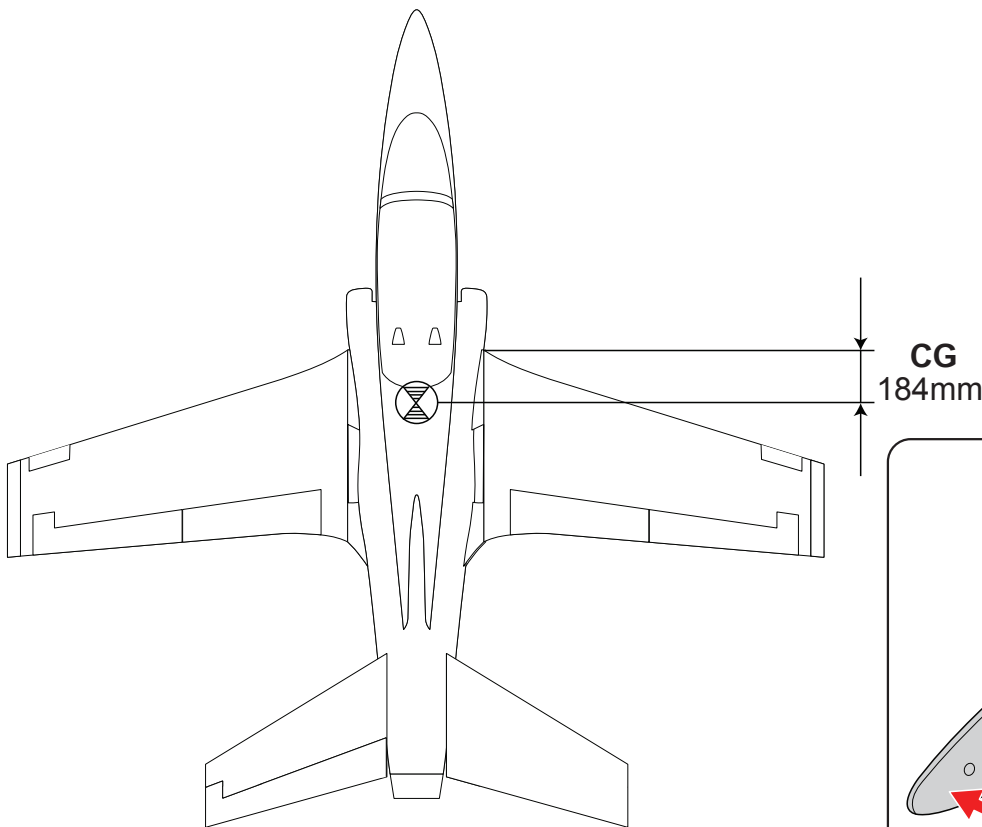
 Apply epoxy glue.

BALANCING

1. It is critical that your airplane be balanced correctly. Improper balance will cause your plane to lose control and crash.

THE CENTER OF GRAVITY IS LOCATED 160-165mm (6.3-6.5 in) BACK FROM THE LEADING EDGE OF THE WING, AT THE FUSELAGE. BALANCE A PLANE UPSIDE DOWN WITH THE FUEL TANK EMPTY.

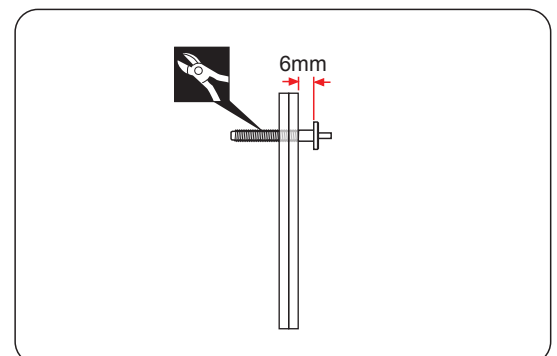
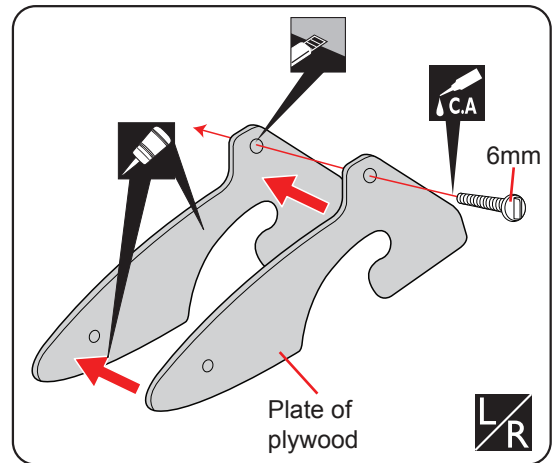
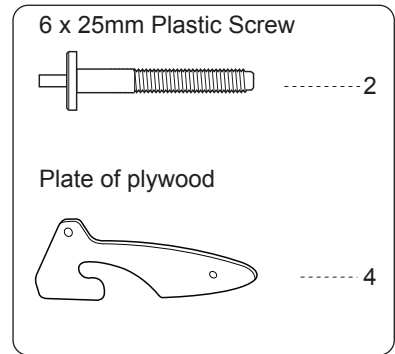
2. If the nose of the plane falls, the plane is nose heavy. To correct this first move the battery pack further back in the fuselage. If this is not possible or does not correct it, stick small amounts of lead weight on the fuselage under the horizontal stabilizer. If the tail of the plane falls, the plane is tail heavy. To correct this, move the battery and receiver forward or if this is not possible, stick weight into the firewall. When balanced correctly, the airplane should sit level or slightly nose down when you lift it up with your fingers.



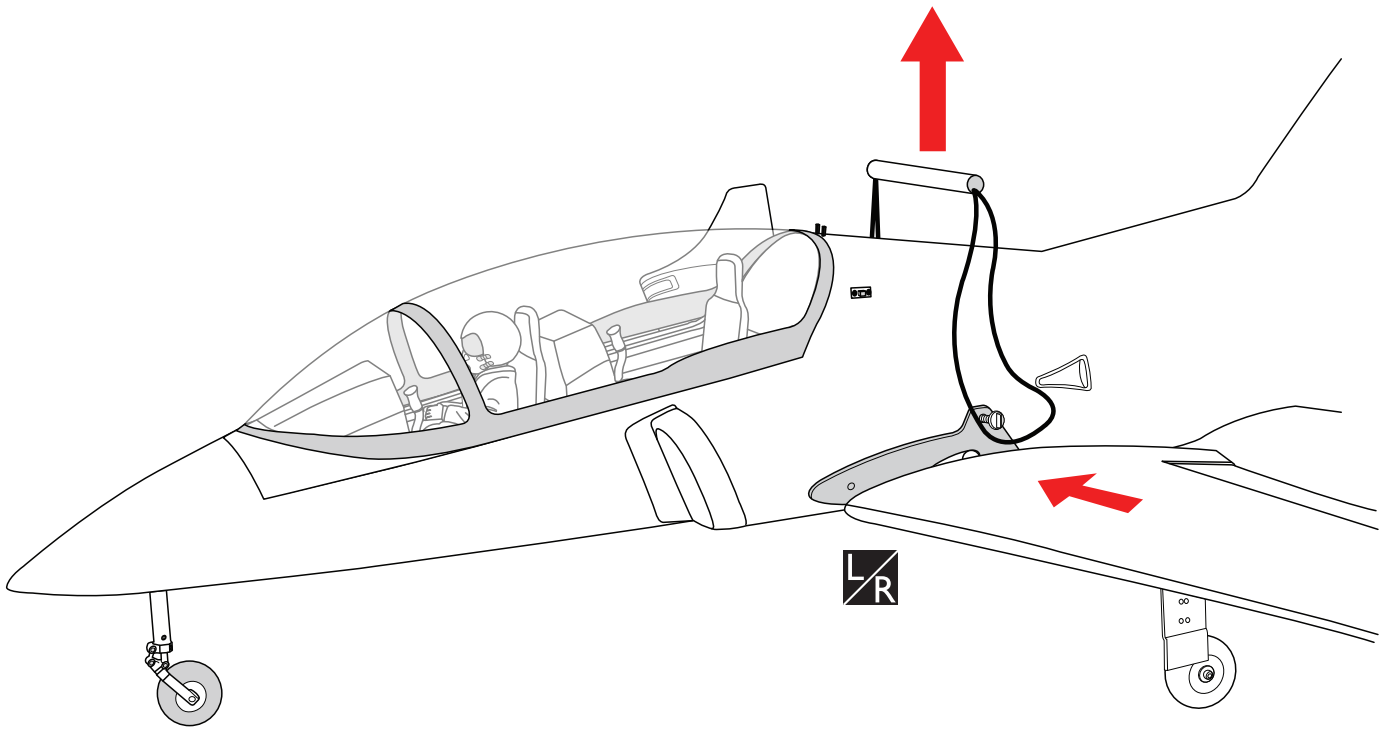
LATERAL BALANCE

! After you have balanced a plane on the C.G. You should laterally balance it. Doing this will help the airplane track straighter.

1. Turn the airplane upside down. Attach one loop of heavy string to the engine crankshaft and one to the tail wheel wire. With the wings level, carefully lift the airplane by the string. This may require two people to make it easier.
2. If one side of the wing fall, that side is heavier than the opposite. Add small amounts of lead weight to the bottom side of the lighter wing half's wing tip. Follow this procedure until the wing stays level when you lift the airplane.



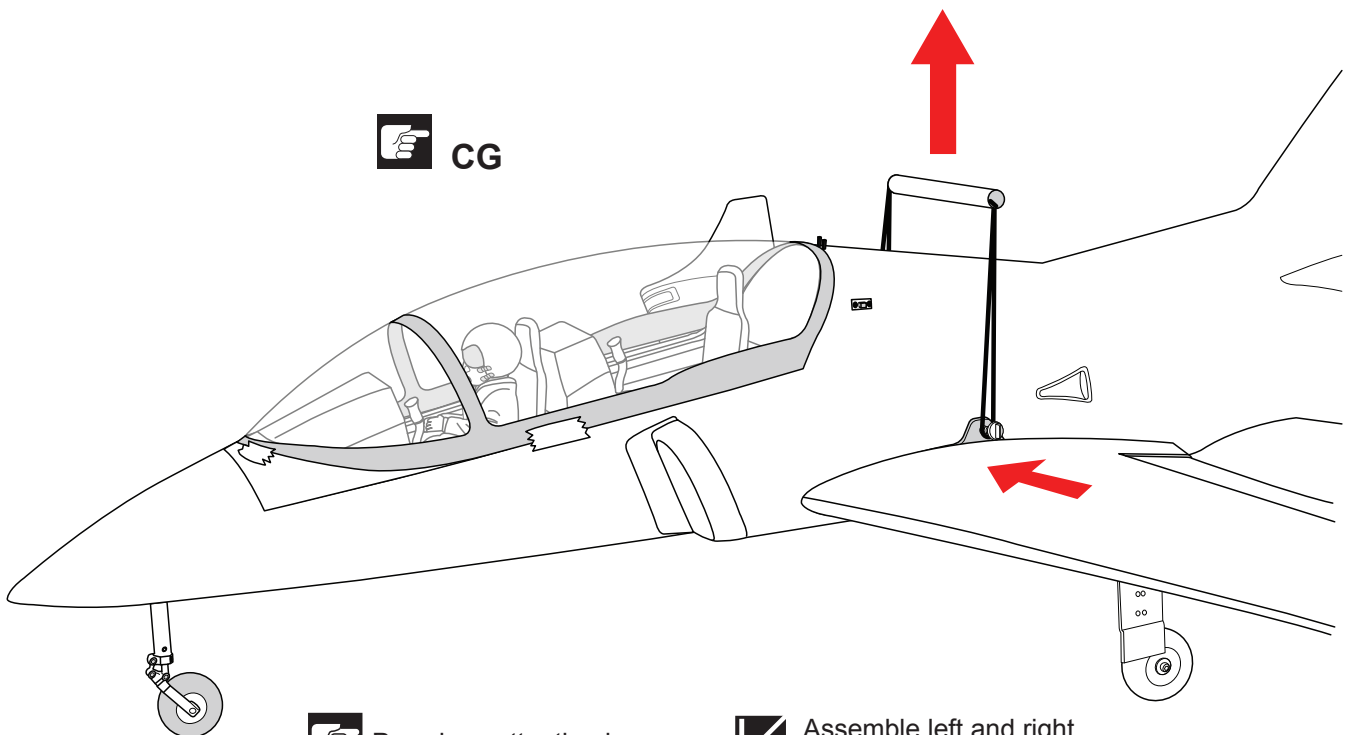
- Cut off excess.
- Cut off shaded portion carefully.
- Apply instant glue (C.A glue, super glue).
- Assemble left and right sides the same way.



- ▶ In order to obtain the CG specified, reposition the receiver and other equipment.
- ▶ If not obtain the CG specified, add a weight and adjust.



▶ Do not fly before confirming the correct location of the CG. If the CG is incorrect, you lose control of your airplane which leads to accidents.



▶ Pay close attention here.

▶ Assemble left and right sides the same way.

CONTROL THROWS

1. We highly recommend setting up a plane using the control throws listed.
2. The control throws should be measured at the widest point of each control surface.
3. Check to be sure the control surfaces move in the correct directions.

● **LOW RATE**

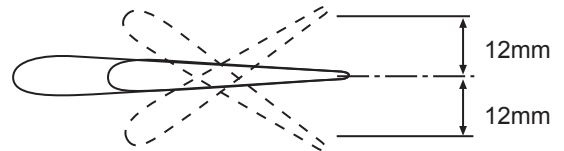
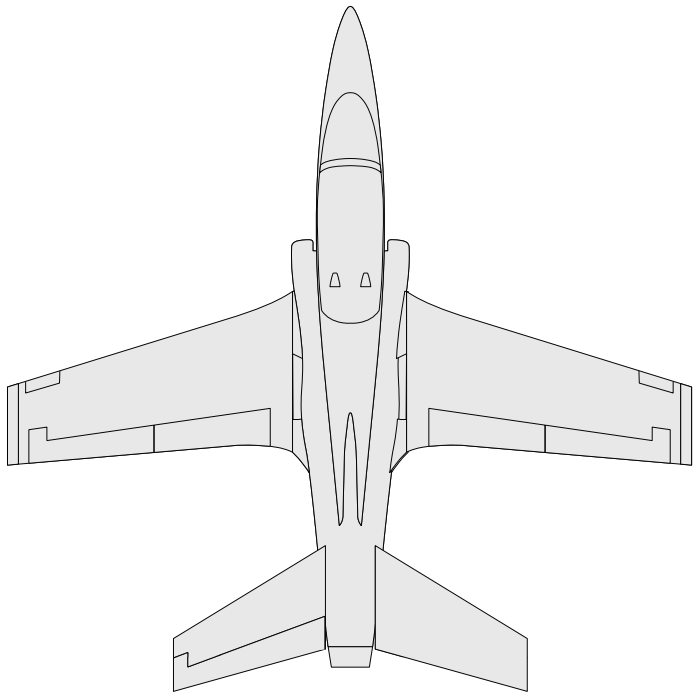
Ailerons : 12 mm up	12 mm down
Elevator: 10 mm up	10 mm down
Rudder : 35 mm right	35 mm left
Flap : 25 mm	

● **HIGH RATE**

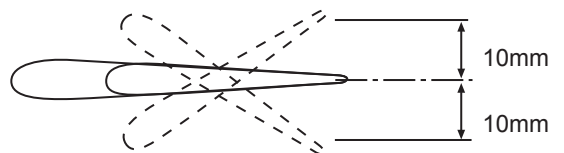
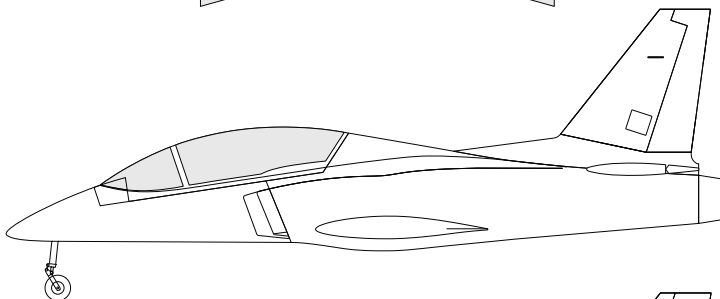
Ailerons : 15 mm up	15 mm down
Elevator: 14 mm up	14 mm down
Rudder : 50 mm right	50 mm left
Flap : 40 mm	

FLIGHT PREPARATION PRE FLIGHT CHECK

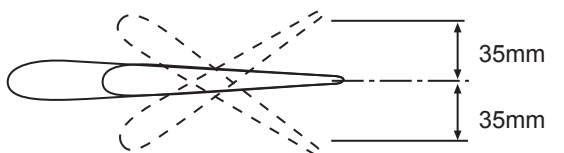
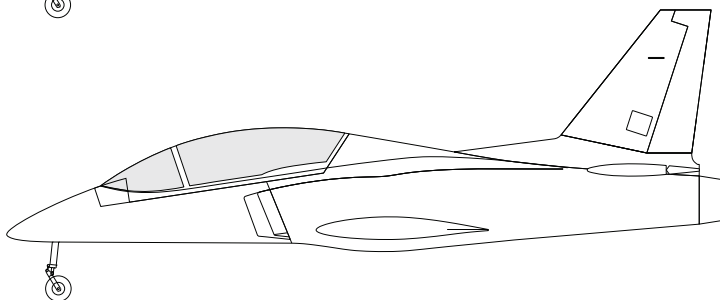
1. Completely charge your transmitter and receiver batteries before your first day of flying.
2. Check every bolt and every glue joint in your plane to ensure that everything is tight and well bonded.
3. Double check the balance of the airplane
4. Check the control surface
5. Check the receiver antenna . It should be fully extended and not coiled up inside the fuselage.



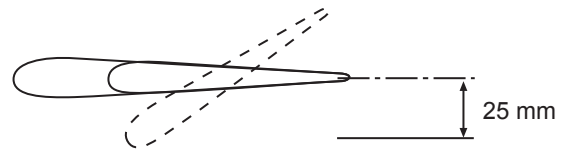
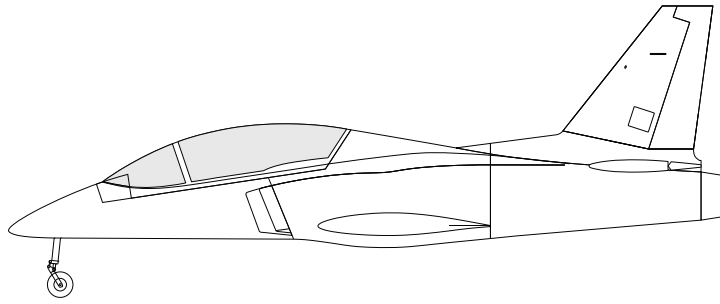
Aileron Control



Elevator Control



Rudder Control

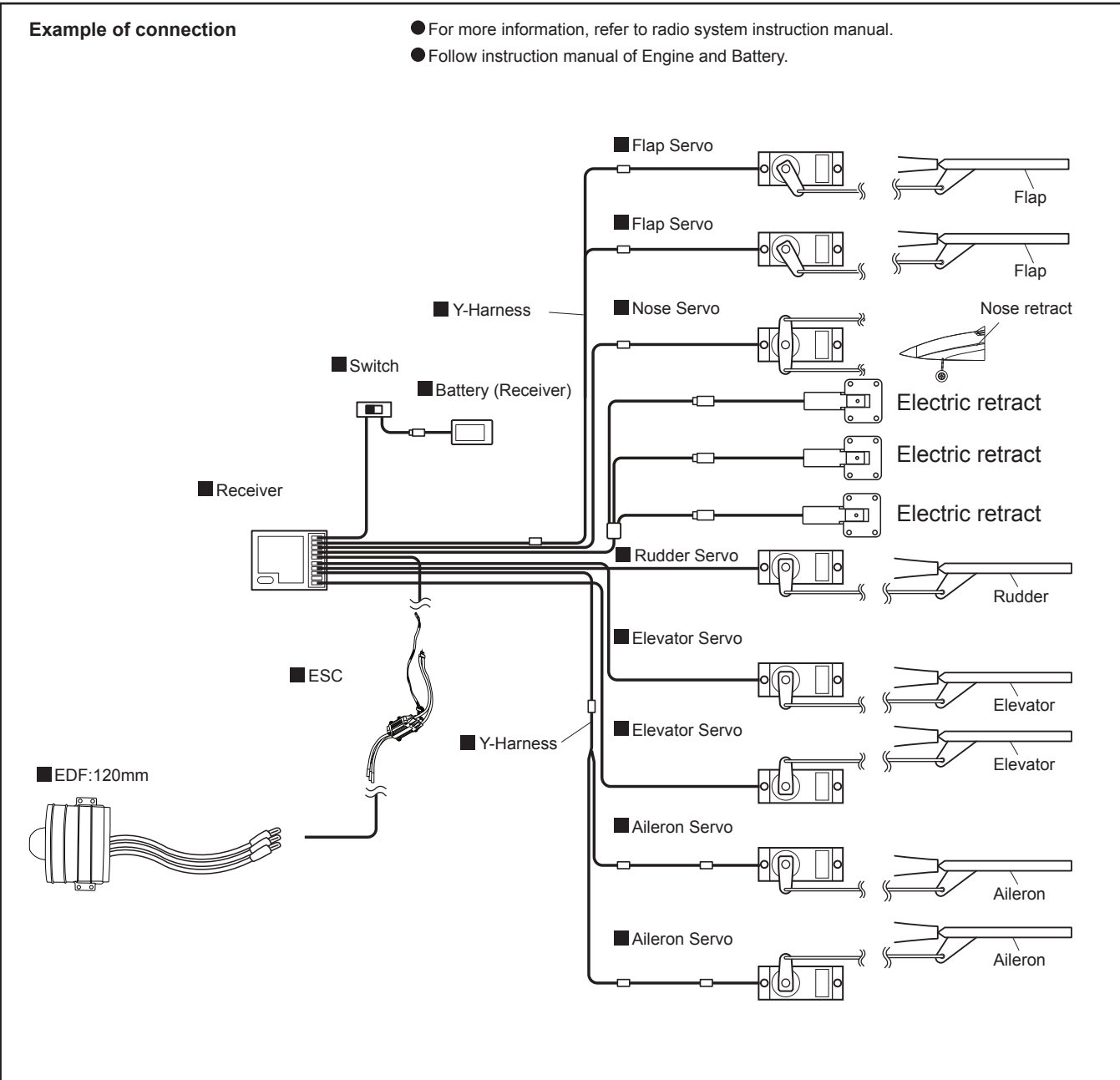


Flap Control

**FOR YOUR RADIO INSTALLATION
BASIC CONNECTION FOR AIRPLANE AND ADJUSTMENT OF SERVOS**

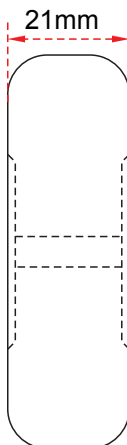
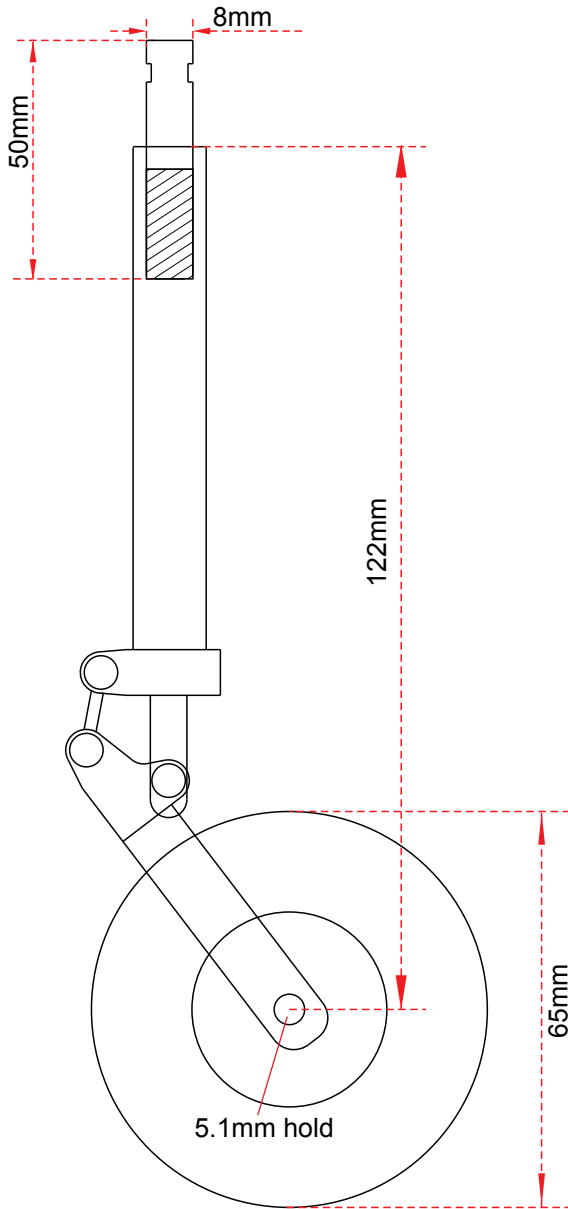
Example of connection

- For more information, refer to radio system instruction manual.
- Follow instruction manual of Engine and Battery.



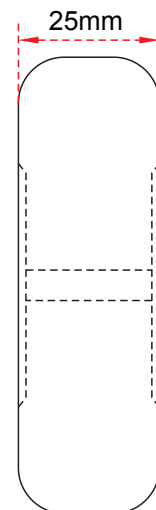
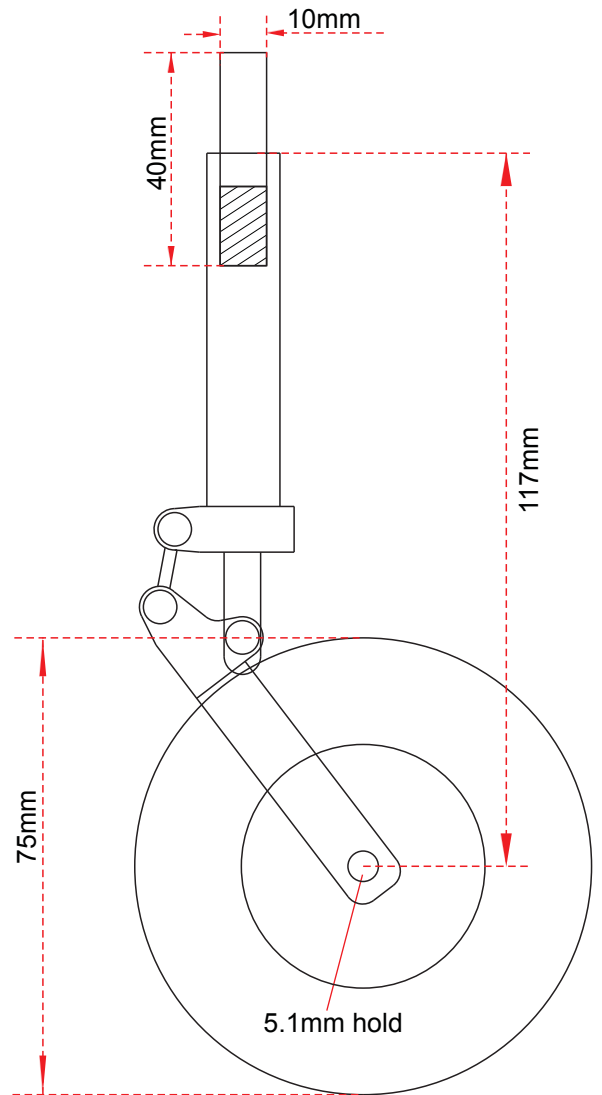
MAIN GEAR DIMENSIONAL DETAIL

NOSE GEAR STRUTS



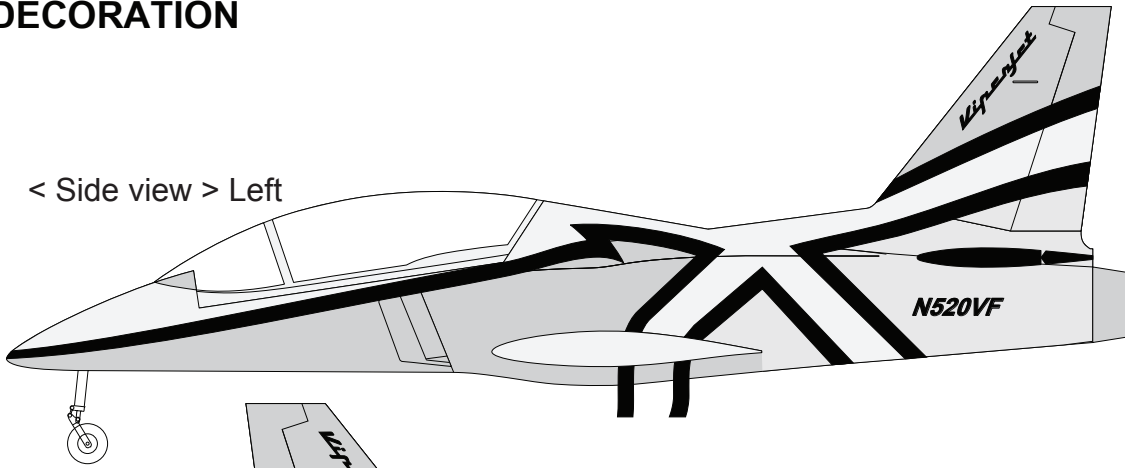
LANDING GEAR MOUNT.

MAIN GEAR STRUTS

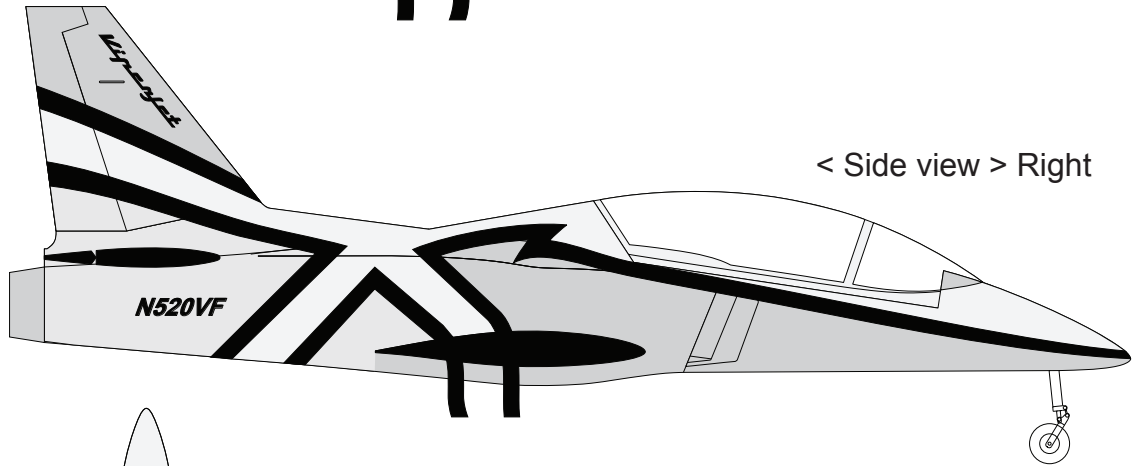


DECORATION

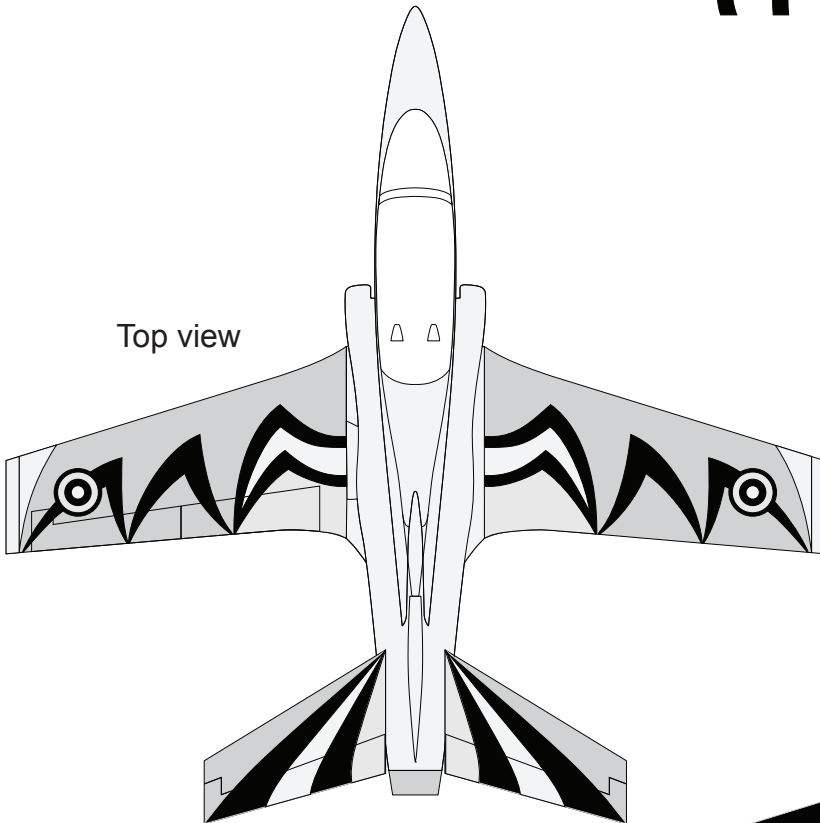
< Side view > Left



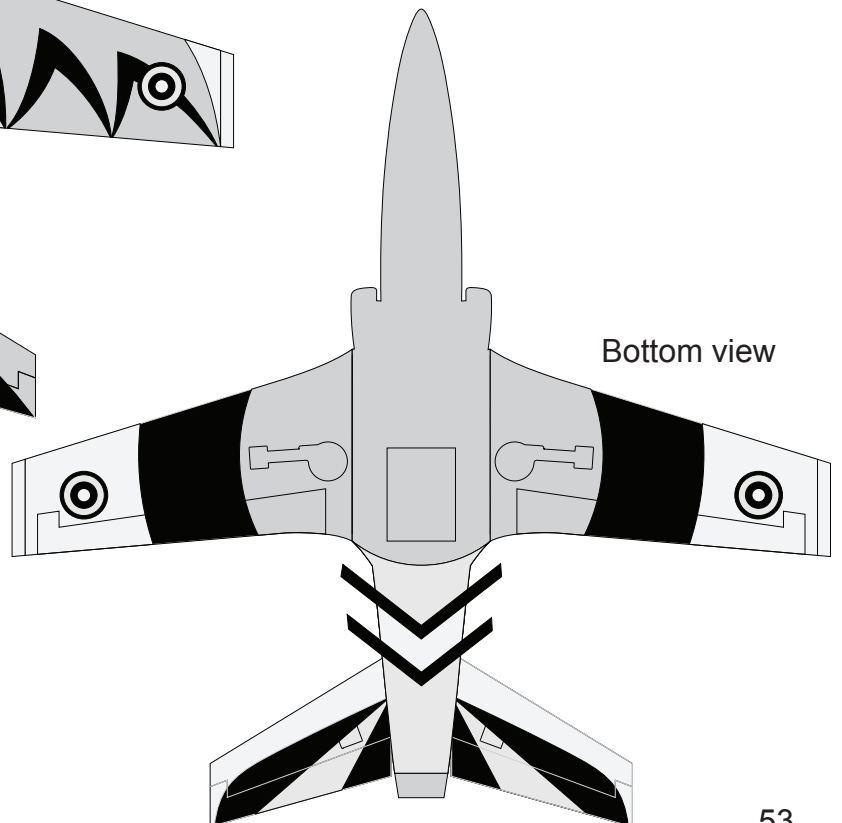
< Side view > Right



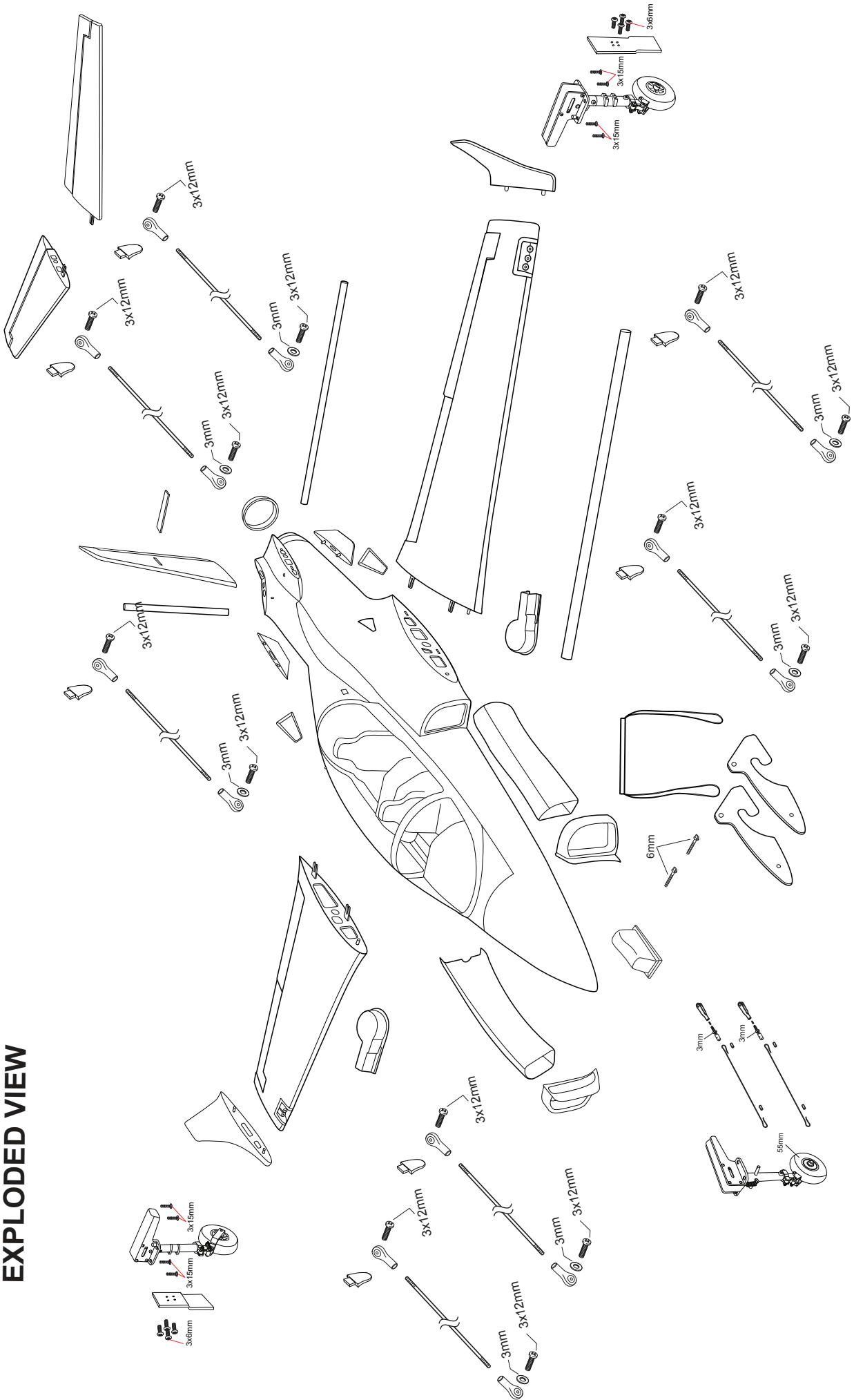
Top view



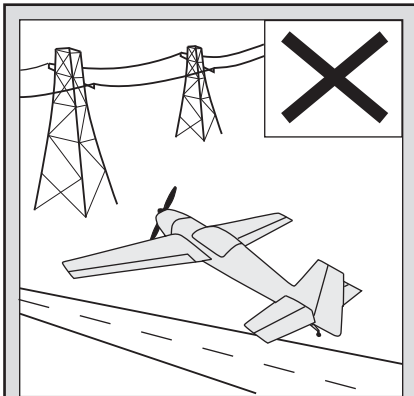
Bottom view



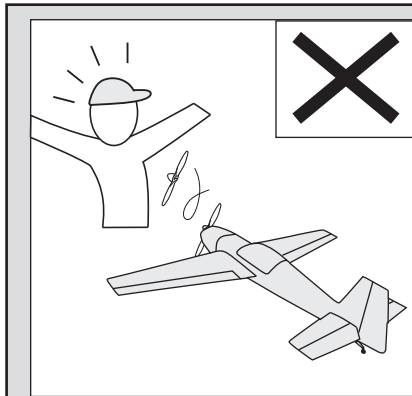
EXPLODED VIEW



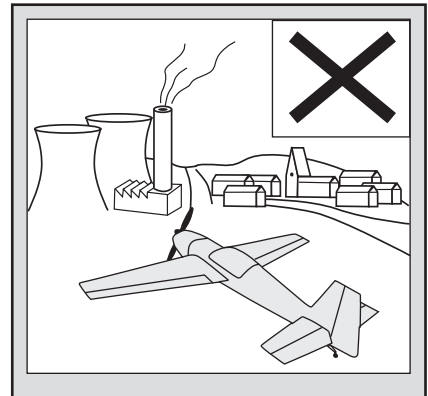
I/C FLYING WARNINGS



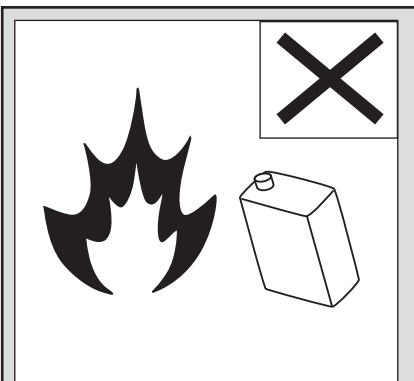
NEVER fly near power lines, aerials or other dangerous areas including airports, motorways etc.



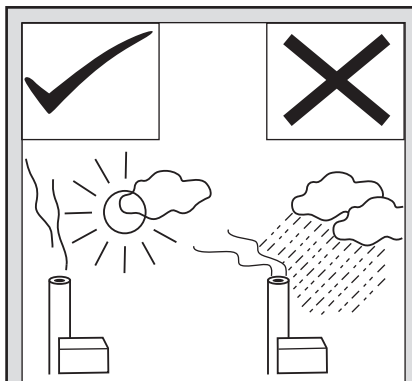
ALWAYS adjust the engine from behind the propeller, and do not allow any part of your body to be in line with the propeller.



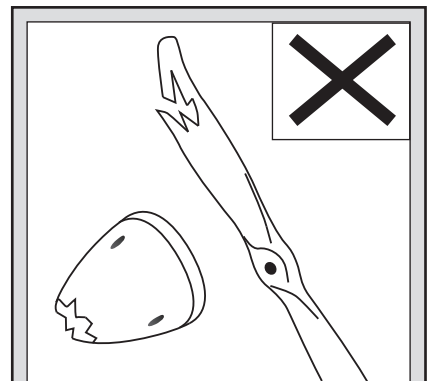
Always operate in open areas, away from factories, hospitals, schools, buildings and houses etc. NEVER fly your aircraft close to people or built up areas.



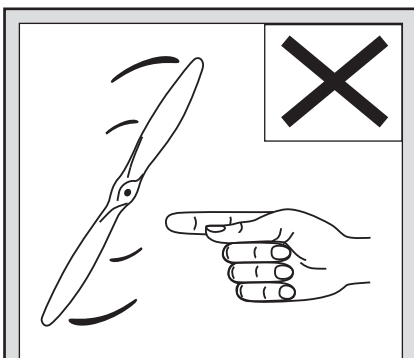
DO NOT dispose of empty fuel containers on a fire, this can lead to an explosion.



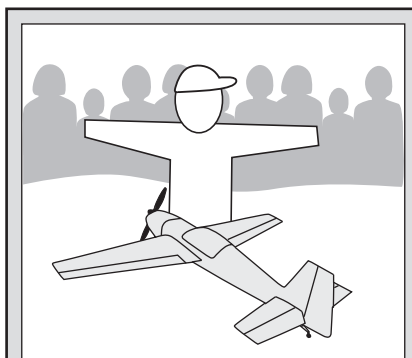
NEVER fly in wet conditions or on windy or stormy days.



NEVER use damaged or deformed propellers or spinners.

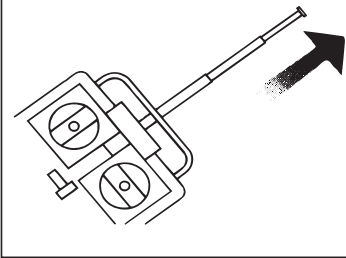


THE PROPELLER IS DANGEROUS. Keep fingers, clothing (ties, shirt sleeves, scarves) or any other loose objects that could be caught or drawn in, away from the propeller. Take care at ALL times.

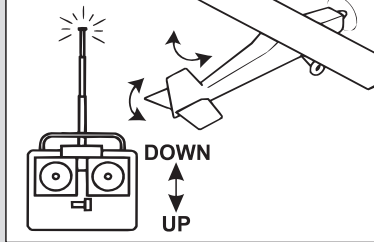


Keep all onlookers (especially small children and animals) well back from the area of operation. This is a flying aircraft, which will cause serious injury in case of impact with a person or animal.

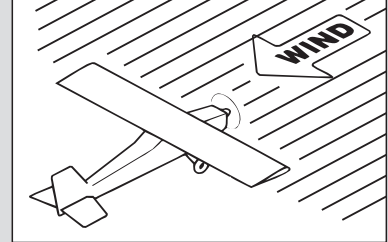
I/C FLYING GUIDELINES



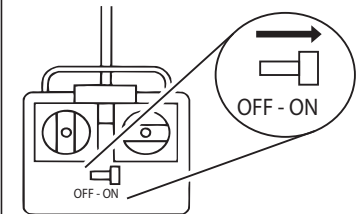
When ready to fly, first extend the transmitter aerial.



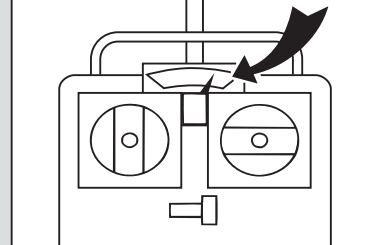
Operate the control sticks on the transmitter and check that the control surfaces move freely and in the CORRECT directions.



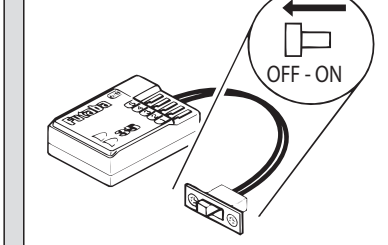
ALWAYS land the model INTO the wind, this ensures that the model lands at the slowest possible speed.



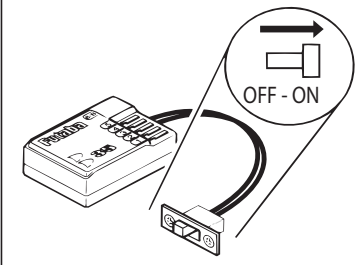
Switch on the transmitter.



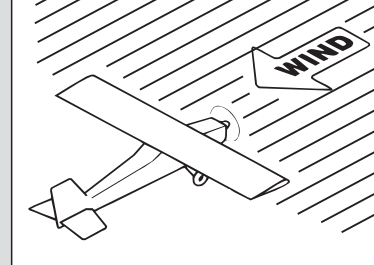
Check that the transmitter batteries have adequate power.



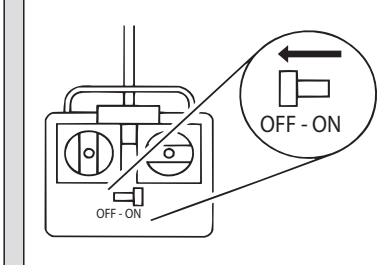
Switch off the receiver.



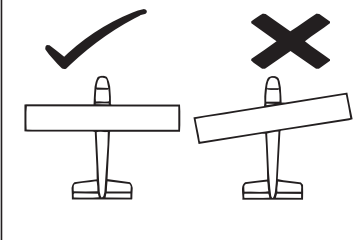
Switch on the receiver.



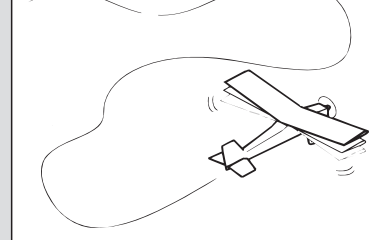
ALWAYS take off into the wind.



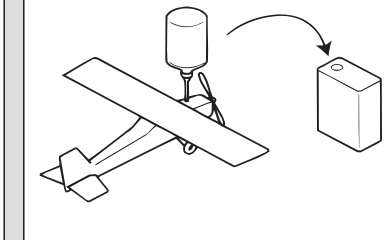
Switch off the transmitter.



Check that the wings are correctly fitted to the fuselage.



If the model does not respond correctly to the controls, land it as soon as possible and correct the fault.



Empty the fuel tank after flying, fuel left in the tank can cause corrosion and lead to engine problems.