



Sauter GmbH

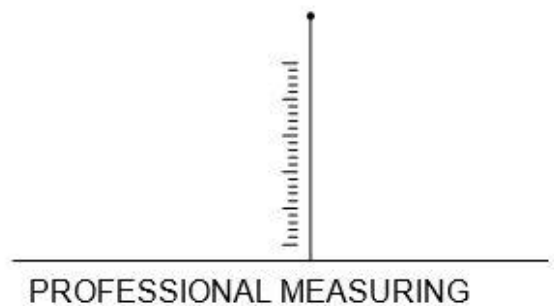
Ziegelei 1
D-72336 Balingen
E-Mail: info@kern-sohn.com

Tel.: +49-[0]7433- 9933-0
Fax: +49-[0]7433-9933-149
Internet: www.sauter.eu

Datasheet / User manual

SAUTER CS P2

V. 1.0
02/2020
GB





SAUTER CS P2

V. 1.0 02/2020

Datasheet / User manual

Summarize:

1	Short description	3
2	Available models.....	3
3	Introduction.....	3
4	Warning notes.....	3
5	Warranty	4
6	Detailed specifications	4
7	Wiring.....	5
8	Dimension in mm	5
8.1	50kg bis 250kg.....	5
8.2	0,5t bis 7,5t.....	6
9	Certificate of Compliance.....	6

1 Short description

- stainless steel IP68 (acc. to EN 60529) “S” type load cell
- Force measuring compatible
- RoHS conform
- Suitable for hanging, hopper and other weighing devices
- Suitable for testing facilities and test stands
- Accuracy OIML R60 C3
- Option on request: EX, Accuracy C4

2 Available models

Capacity	Model
50kg (≈500N)	CS 50-3P2
100kg (≈1kN)	CS 100-3P2
250kg (≈2,5kN)	CS 250-3P2
500kg (≈5kN)	CS 500-3P2
1t (≈10kN)	CS 1000-3P2
2t (≈20kN)	CS 2000-3P2
5t (≈50kN)	CS 5000-3P2
7.5t (≈75kN)	CS 7500-3P2

3 Introduction

Please pay attention to the notes of the operating manual: read these operating manual carefully before commissioning, even if you already have experience with SAUTER measuring cells.

After receiving the measuring cell, it should be checked in advance whether no transport damage has occurred, whether the outer packaging or other parts or even the article itself has been damaged. If any damage is evident, please inform SAUTER GmbH immediately.

4 Warning notes

Observe the national accident prevention regulations.

Not correct executed use of the measuring cell can lead to serious injuries, death, material damage and personal injuries. Use only by trained and experienced people.

Never load more than the max. capacity to a measuring cell. Overloaded measuring cells no longer have the required accuracy. Overloaded or deformed measuring cells are no longer allowed to use and must be changed quickly.

Never step under suspended loads.

Always fasten overload- or break security to your construction.

Pay attention to the allowed static and dynamic loads of the used equipment.

Let the measuring cells calibrate at regular intervals.

Only load the measuring cell in its specified load direction. Avoid lateral forces.

Control the measuring cells to deformations and cracks.

Measuring cells with 4-Conductor cable will change their characteristic value when shortened or extended the cable length.

5 Warranty

The warranty expires at:

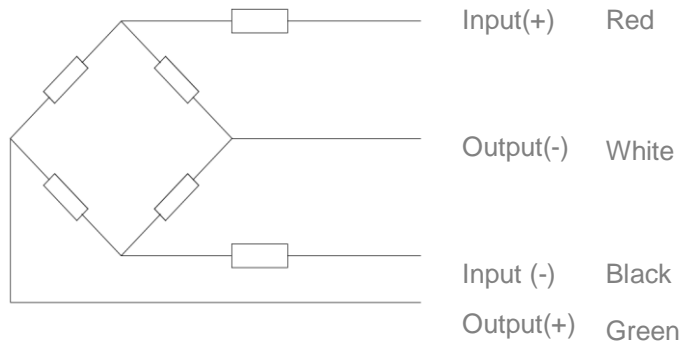
- Disregard of the specifications of the operating manual
- Modification or opening the measuring cell
- Overload
- Mechanical damages
- Damage caused by liquids or media
- Natural loss
- Not correct installation

6 Detailed specifications

Output sensitivity (FS)	mV/V	2.0 ± 0.008	2.0 ± 0.004
Maximum capacity (Emax)	kg	50, 100, 250	500, 1000, 2000, 5000, 7500
Max.number of load cell intervals	nLC	3000	
Ratio of min. LC verification interval	Y = Emax / vmin	7500	12000
Combined Error	%FS	≤± 0.023	
Minimum dead load	Of Emax	0%	
Safe overload	of Emax	150 %	
Ultimate overload	of Emax	300 %	
Zero balance	of FS	< ± 1.5 %	
Excitation, recommended voltage	V	5 ~ 12	
Excitation maximum	V	18	
Input resistance	Ω	350 ± 3	
Output resistance	Ω	355 ± 3	
Insulation resistance	MΩ	≥5000 (at 50VDC)	
Compensated temperature	°C	-10 ~+40	
Operating temperature	°C	-35 ~ +65	
Storage temperature	°C	-40 ~ +70	

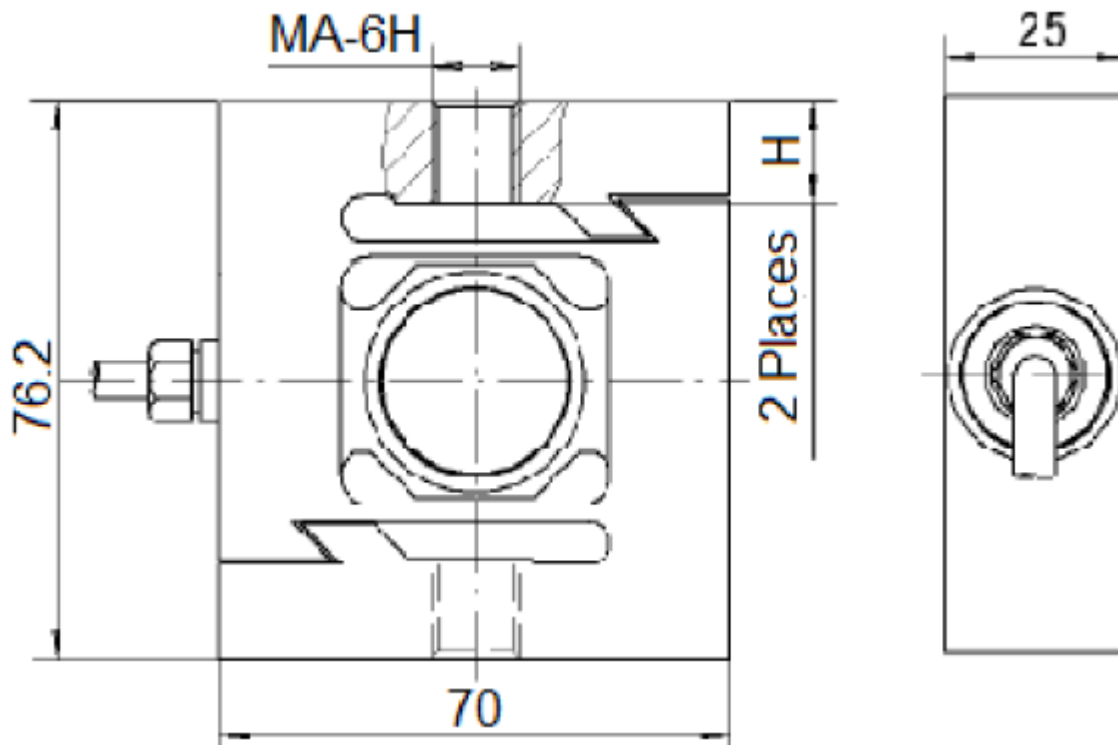
7 Wiring

Shielded, 4 conductor cable. Cable diameter: Ø5mm. Shield not connected to element.
Cable length: 6m



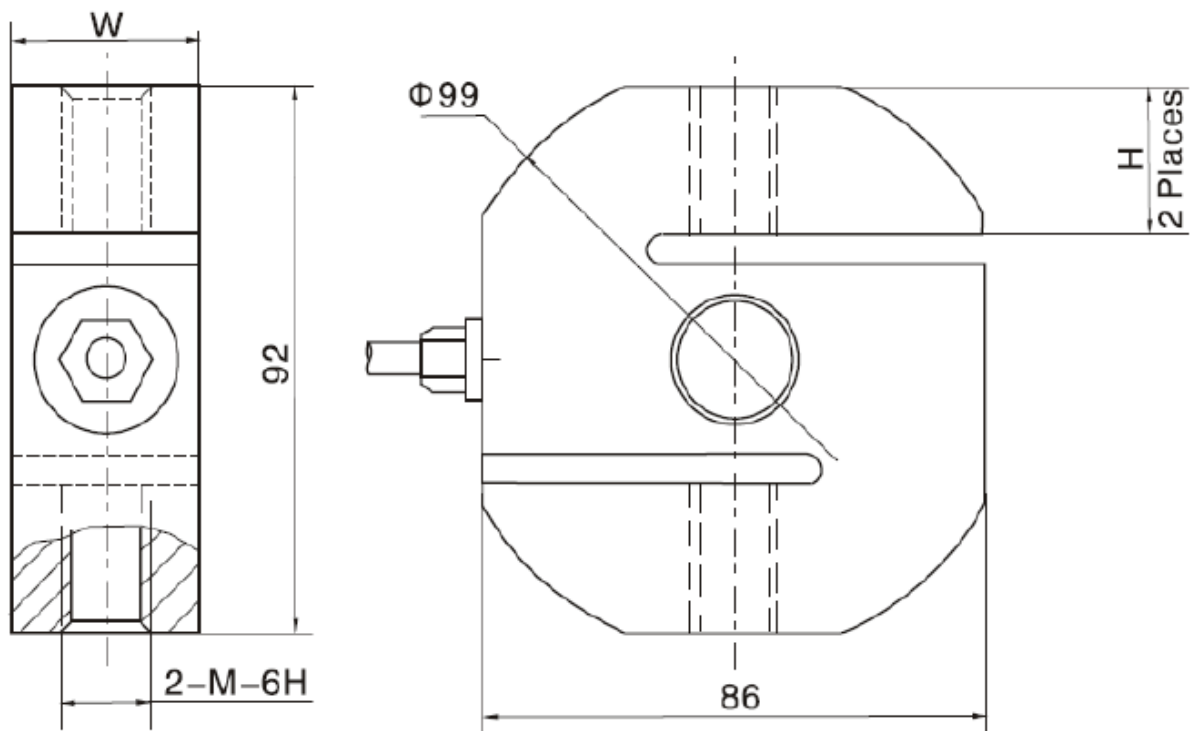
8 Dimension in mm

8.1 50kg bis 250kg



Dimension / Capacity	H	M
50kg; 100kg	13	M8
250kg	14	M12 x 1,75

8.2 0,5t bis 7,5t



Dimension / Capacity	W	H	M
0,5t; 1t	32	25	M12 x 1.75
2t	32	25	M20 x 1.5
5t; 7,5t	50	24	M24 x 2

9 Certificate of Compliance

The Certificate of Compliance can be downloaded from the website www.sauter.eu