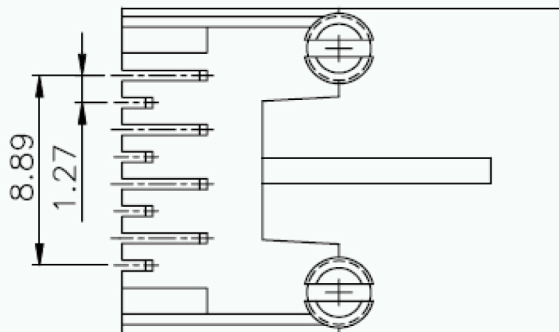
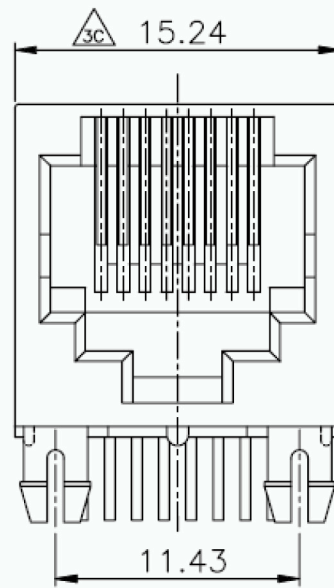
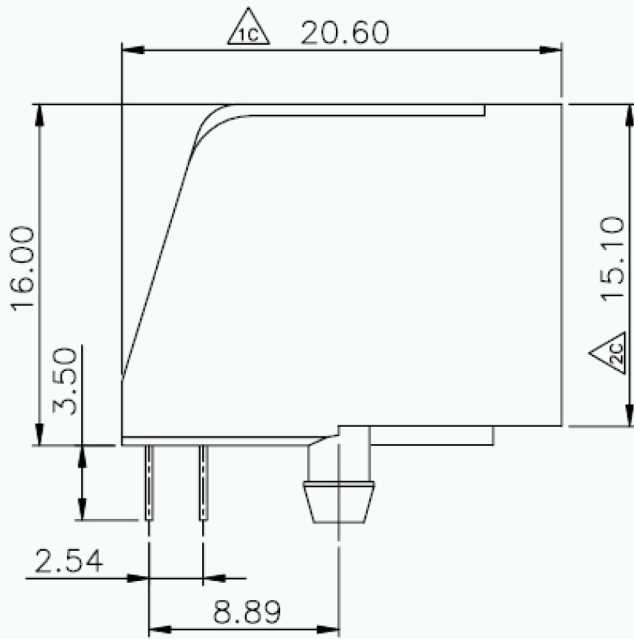
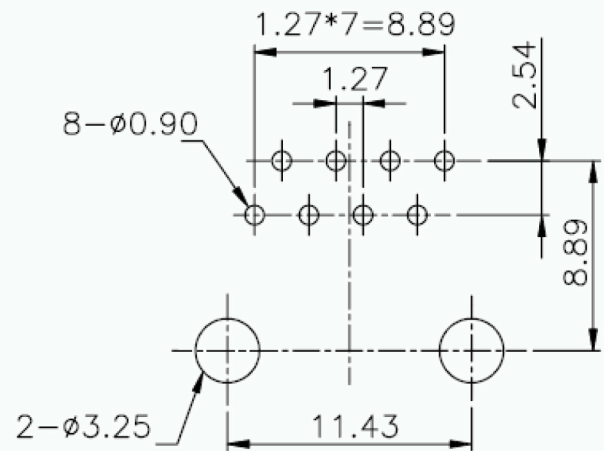


No.	Changes and/or Note No.	Date	Intr.	No.	Changes and/or Note No.	Date	Intr.



PCB LAYOUT/TOP VIEW



MATERIALS:

PLASTIC HOUSING: ENGINEERING THERMOPLASTIC
FLAMMABILITY RATING UL 94V-0.

CONTACTS: PHOSPHOR BRONZE

PLATING: GOLD PLATING OVER NICKEL IN CONTACT.
TIN PLATING OVER NICKEL IN SOLDER AREA.

DATE 10/02/2012	DRAWN MRR	SCALE	MATERIAL TYPE	TOLERANCE .XXX ±0.10 .XX ±0.25 .X ±0.38 X ±0.50 Angle ±3'
	APPROVED		REPLACES	



RJJ-8-8-NF-RA
RJ45 CON-8P-UNSHIELDED



DRAWING No
2101-0100-13