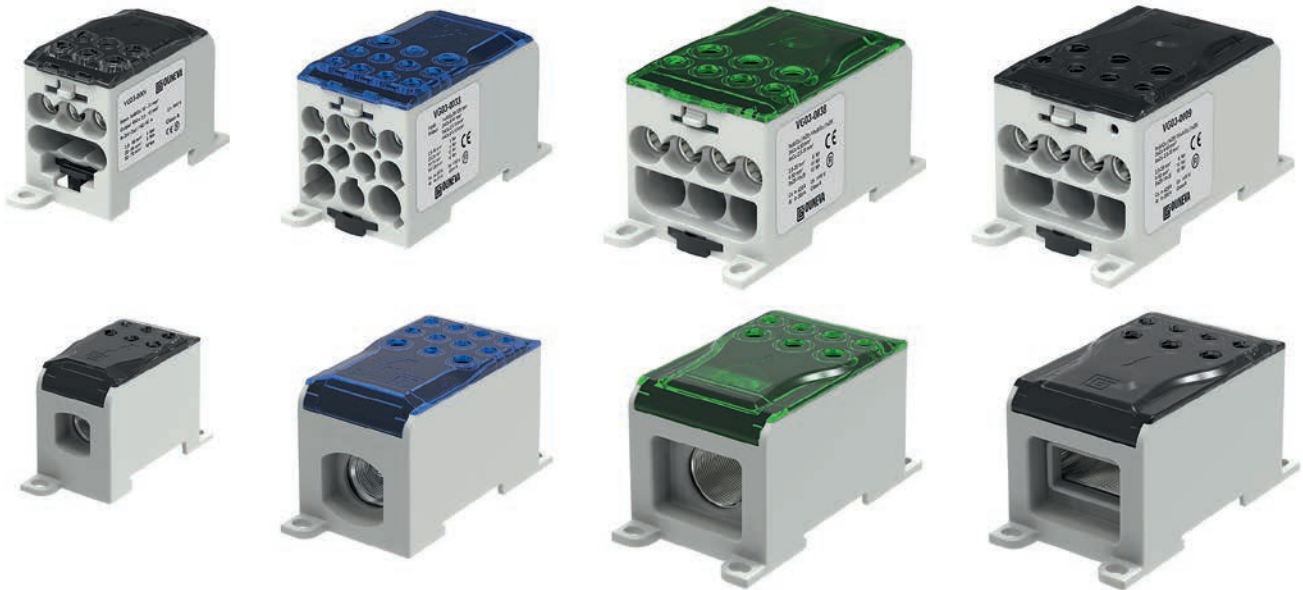


OJL distribution blocks

General/use: OJL distribution blocks are designed to be used when distributing power to several smaller wires. In all models, one input conductor can be installed, whereas the number of output conductors is six (6), seven (7) or 11 between the connector models. The material of input cable can be aluminium or copper. Output wirings can be only done with copper conductors.

Materials: Bodies of the connectors are made of aluminium and plated with tin. Insulating covers are made of polyamide.

Certification and applied regulations:
EN 60947-7-1:2009, EN 61238-1:2003



Certification and product safety

When choosing electrical connector, always make sure to select reliable and safe, certified connector. The requirements for connectors used with copper conductors inside switchgears and similar appliances are specified in standard EN 60947-7-1:2009. All connectors used inside switchgears or similar appliances must fulfil these requirements.

The requirements for connectors designated to be used with aluminium power cables are specified in standard EN 61238-1:2003. Connectors that have been tested and certified in accordance with standard EN 61238-1:2003 are divided into two classes.

- Class A (short circuit tested) - usage examples: feed-in connections, switchgears/appliances, universal
- Class B (not short circuit tested) - usage limited only to special circuits protected by fast-acting fuses

Ouneva OJL-connectors are tested and certified class A connectors, that are compatible with copper and aluminium conductors.

For choosing safe and reliable connector, always make sure that the terminal is equipped with CE and Class A markings with the symbol of certifying institute, for example FI -mark.

Product documents

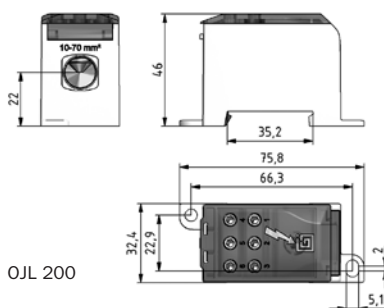


OJL distribution blocks

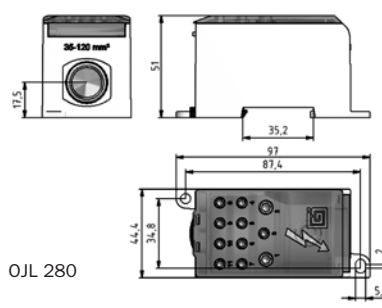


STK code	Product code	Product name*	Input conductor (mm ²)	Output conductor (mm ²)	Un (V)	In (A) Al/Cu	Tightening torque	Weight (g)	Package (pcs)
19 120 09	VG03-0006	OJL 200 Grey	1xAl/Cu 10-70	6xCu 2,5-16	1000	160 / 200	3 Nm (2,5-16 mm ²), 6 Nm (25-35 mm ²), 10 Nm (50-70 mm ²)	84	24
19 123 90	VG03-0031	OJL 200 Blue	1xAl/Cu 10-70	6xCu 2,5-16	1000	160 / 200	3 Nm (2,5-16 mm ²), 6 Nm (25-35 mm ²), 10 Nm (50-70 mm ²)	84	24
19 123 92	VG03-0032	OJL 200 Green	1xAl/Cu 10-70	6xCu 2,5-16	1000	160 / 200	3 Nm (2,5-16 mm ²), 6 Nm (25-35 mm ²), 10 Nm (50-70 mm ²)	84	24
19 120 08	VG03-0003	OJL 280 Grey	1xAl/Cu 35-120	2xCu 6-35, 5xCu 2,5-16, 4xCu 2,5-10	1000	250 / 280	3 Nm (2,5-16 mm ²), 6 Nm (25-35 mm ²), 10 Nm (50-70 mm ²), 19 Nm (95-120 mm ²)	178	12
19 123 88	VG03-0033	OJL 280 Blue	1xAl/Cu 35-120	2xCu 6-35, 5xCu 2,5-16, 4xCu 2,5-10	1000	250 / 280	3 Nm (2,5-16 mm ²), 6 Nm (25-35 mm ²), 10 Nm (50-70 mm ²), 19 Nm (95-120 mm ²)	178	12
19 123 89	VG03-0034	OJL 280 Green	1xAl/Cu 35-120	2xCu 6-35, 5xCu 2,5-16, 4xCu 2,5-10	1000	250 / 280	3 Nm (2,5-16 mm ²), 6 Nm (25-35 mm ²), 10 Nm (50-70 mm ²), 19 Nm (95-120 mm ²)	178	12
19 120 93	VG03-0007	OJL 400 C Grey	1xAl/Cu 95-240	4xCu 2,5-35, 3xCu 6-50	1000	380 / 425	6 Nm (2,5-35 mm ²), 10 Nm (50-70 mm ²), 25 Nm (95-240 mm ²)	250	8
19 123 93	VG03-0035	OJL 400 C Blue	1xAl/Cu 95-240	4xCu 2,5-35, 3xCu 6-50	1000	380 / 425	6 Nm (2,5-35 mm ²), 10 Nm (50-70 mm ²), 25 Nm (95-240 mm ²)	250	8
19 123 94	VG03-0036	OJL 400 C Green	1xAl/Cu 95-240	4xCu 2,5-35, 3xCu 6-50	1000	380 / 425	6 Nm (2,5-35 mm ²), 10 Nm (50-70 mm ²), 25 Nm (95-240 mm ²)	250	8
19 120 94	VG03-0008	OJL 400 C S Grey	1xAl/Cu 95-240	4xCu 2,5-35, 3xCu 6-50	1000	380 / 425	6 Nm (2,5-35 mm ²), 10 Nm (50-70 mm ²), 25 Nm (95-240 mm ²)	250	8
19 120 95	VG03-0009	OJL 400 FBB Grey	Flexible busbar Cu 10x(1x25)	4xCu 2,5-35, 3xCu 6-50	1000	380 / 425	6 Nm (busbar), 6 Nm (2,5-35 mm ²), 10 Nm (6-50 mm ²)	247	8
19 123 95	VG03-0037	OJL 400 FBB Blue	Flexible busbar Cu 10x(1x25)	4xCu 2,5-35, 3xCu 6-50	1000	380 / 425	6 Nm (busbar), 6 Nm (2,5-35 mm ²), 10 Nm (6-50 mm ²)	247	8
19 123 96	VG03-0038	OJL 400 FBB Green	Flexible busbar Cu 10x(1x25)	4xCu 2,5-35, 3xCu 6-50	1000	380 / 425	6 Nm (busbar), 6 Nm (2,5-35 mm ²), 10 Nm (6-50 mm ²)	247	8
19 120 96	VG03-0010	OJL 400 FBB S Grey	Flexible busbar Cu 10x(1x25)	4xCu 2,5-35, 3xCu 6-50	1000	380 / 425	6 Nm (busbar), 6 Nm (2,5-35 mm ²), 10 Nm (6-50 mm ²)	247	8

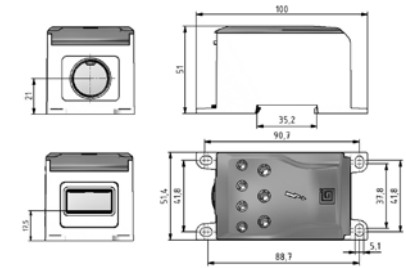
*Clarification for model name: S = Model can be sealed



OJL 200



OJL 280



OJL 400

OJL busbar adapters



General/use: OJL busbar adapters are used for connecting OJL connectors to copper or aluminium busbars.

Materials: Tin plated copper

STK code	Product code	Product name	D	H	H1	L	W	W1	Weight (g)	Package (pcs)
191 23 97	VG03-0030	Busbar adapter OJL 200	9,8	5,95	4,8	45	14	6,8	22	24
19 123 98	VG03-0029	Busbar adapter OJL 280	13,8	7,25	5	61	23	10,8	49	12
191 23 99	VG03-0028	Busbar adapter OJL 400 C	13,8	9,75	5,2	70	30	10,8	90	8

